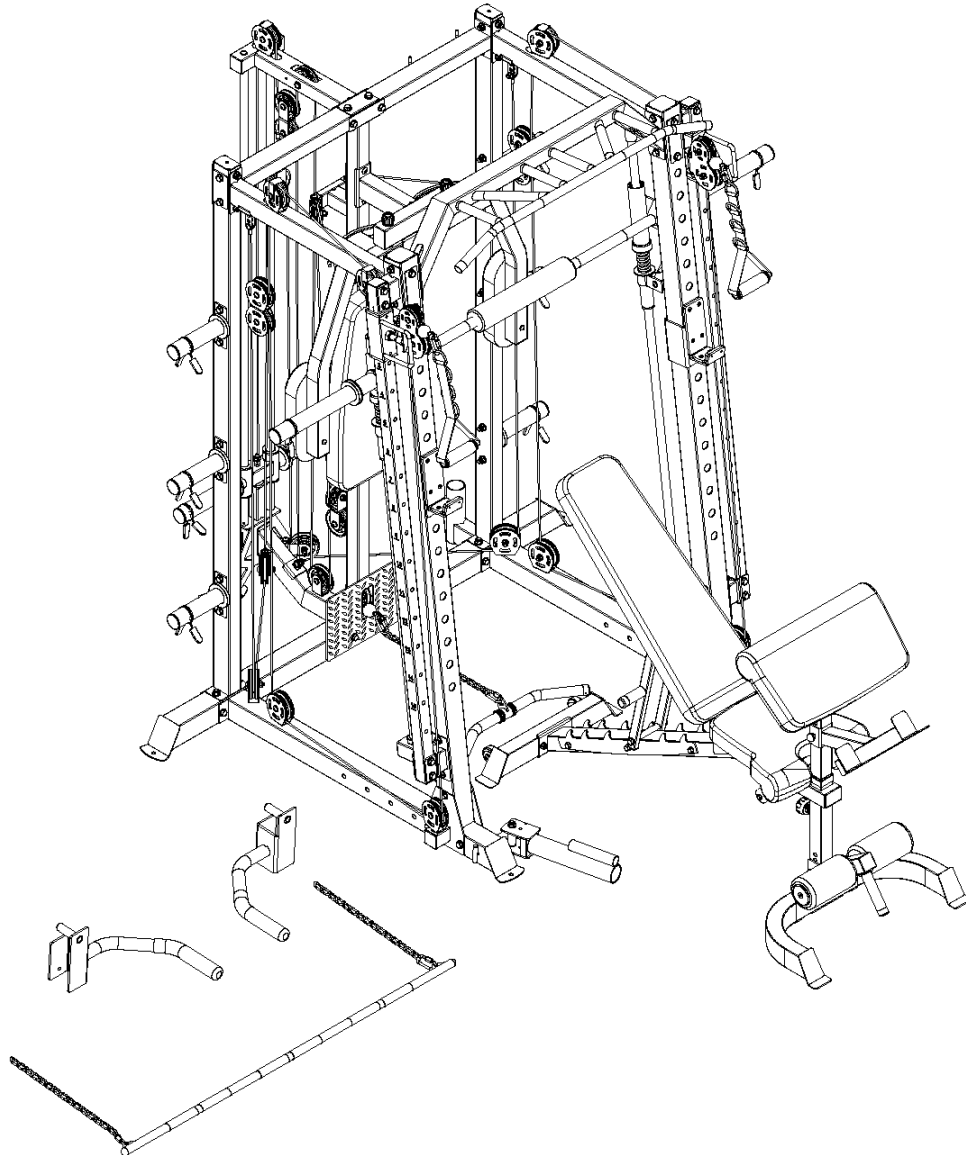


MARCY[®]

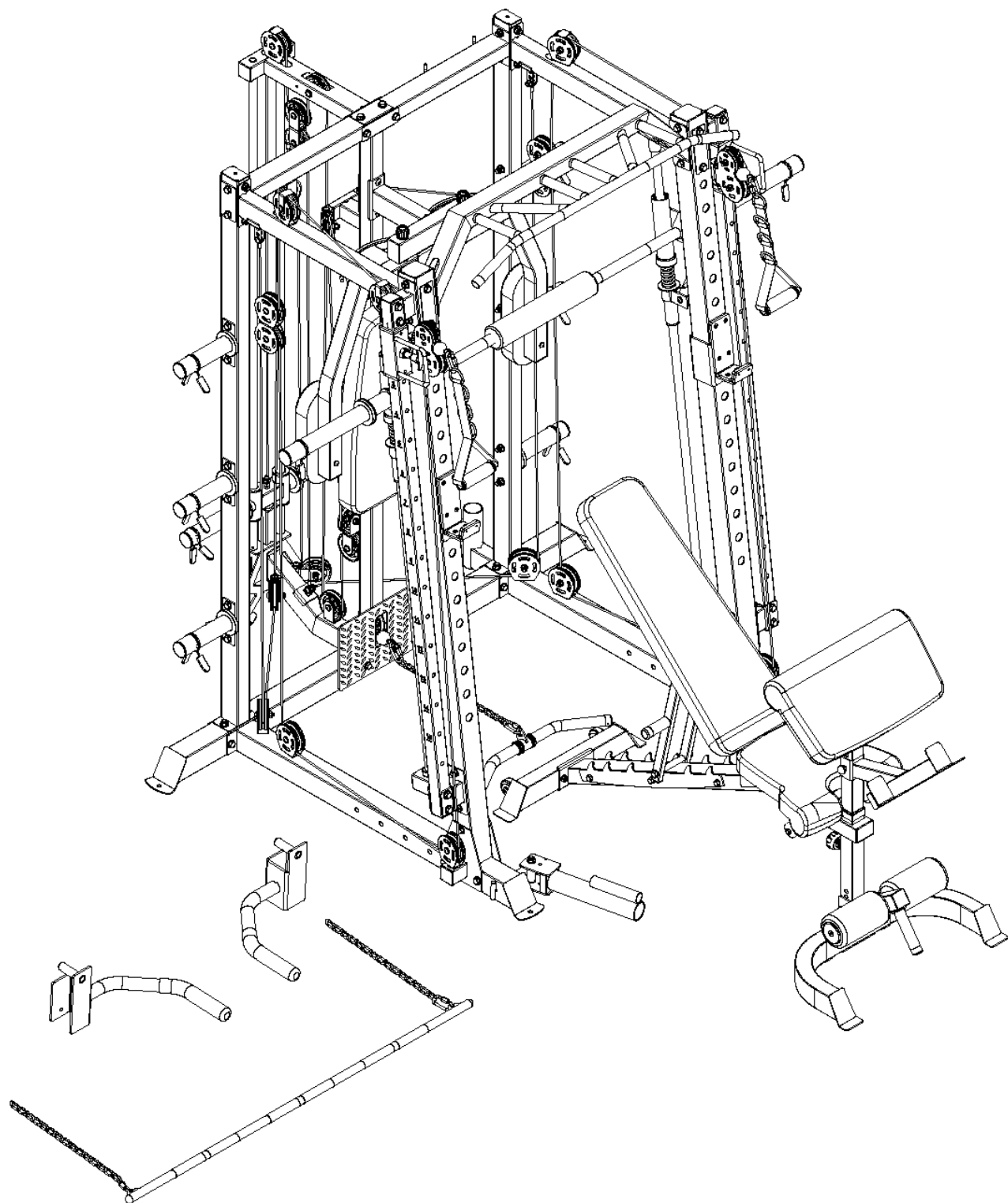
SMITH MACHINE SM-4033



IMPORTANT: Please read the Important Safety Notice and Assembly Information in the Owner's manual before assembling this product.

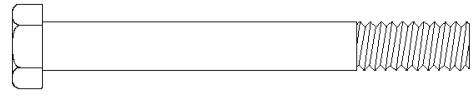
Assembly Manual

190701

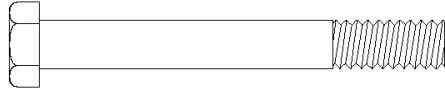




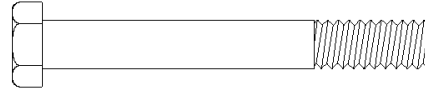
56 × 4



57 × 26



58 × 12



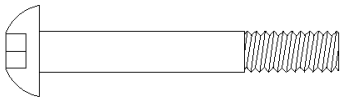
59 × 3



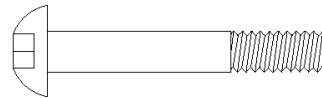
60 × 26



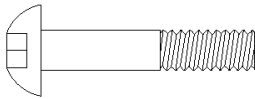
61 × 1



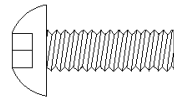
62 × 1



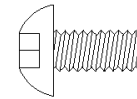
63 × 6



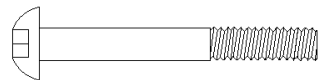
64 × 29



65 × 4



66 × 8



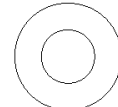
67 × 6



68 × 30



69 × 98



70 × 144



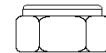
71 × 4



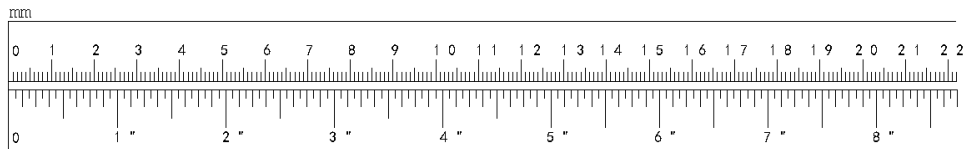
72 × 2

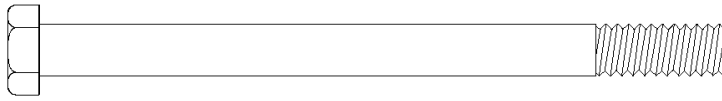


73 × 50

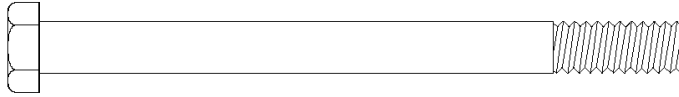


74 × 93

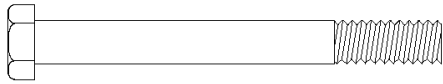




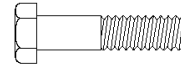
①47×1



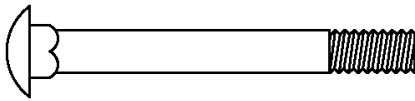
①48×2



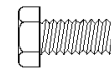
①49×3



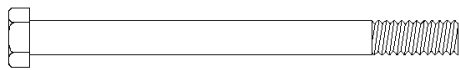
①54×4



①50×2



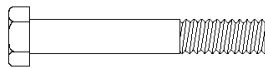
①55×6



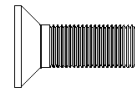
①52×1



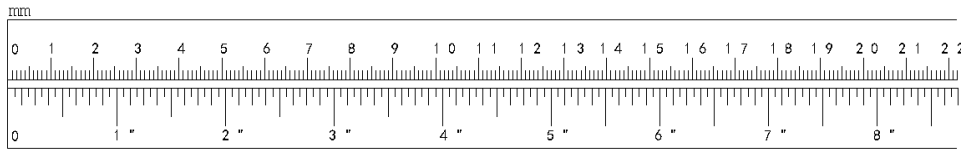
①56×7

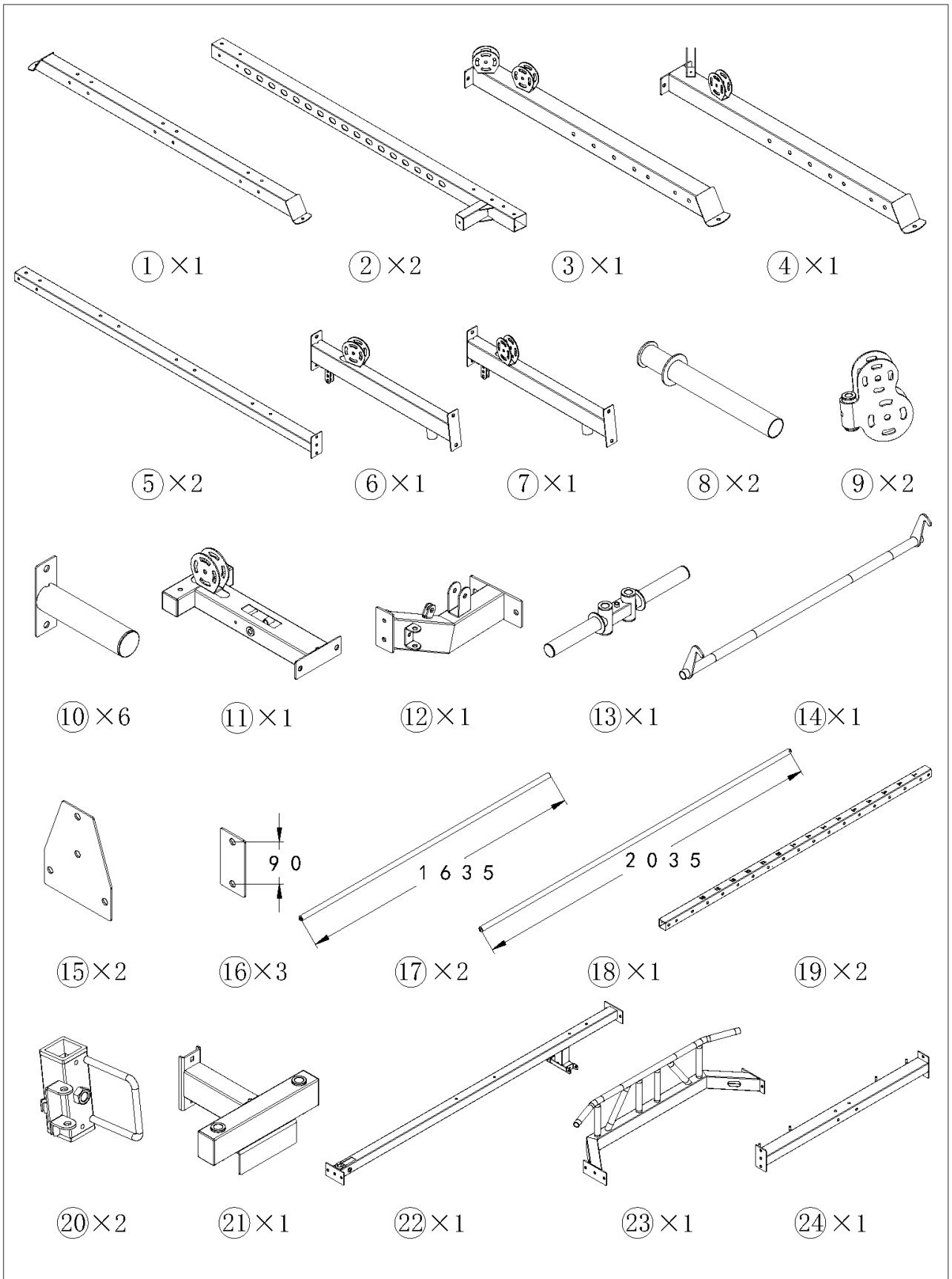


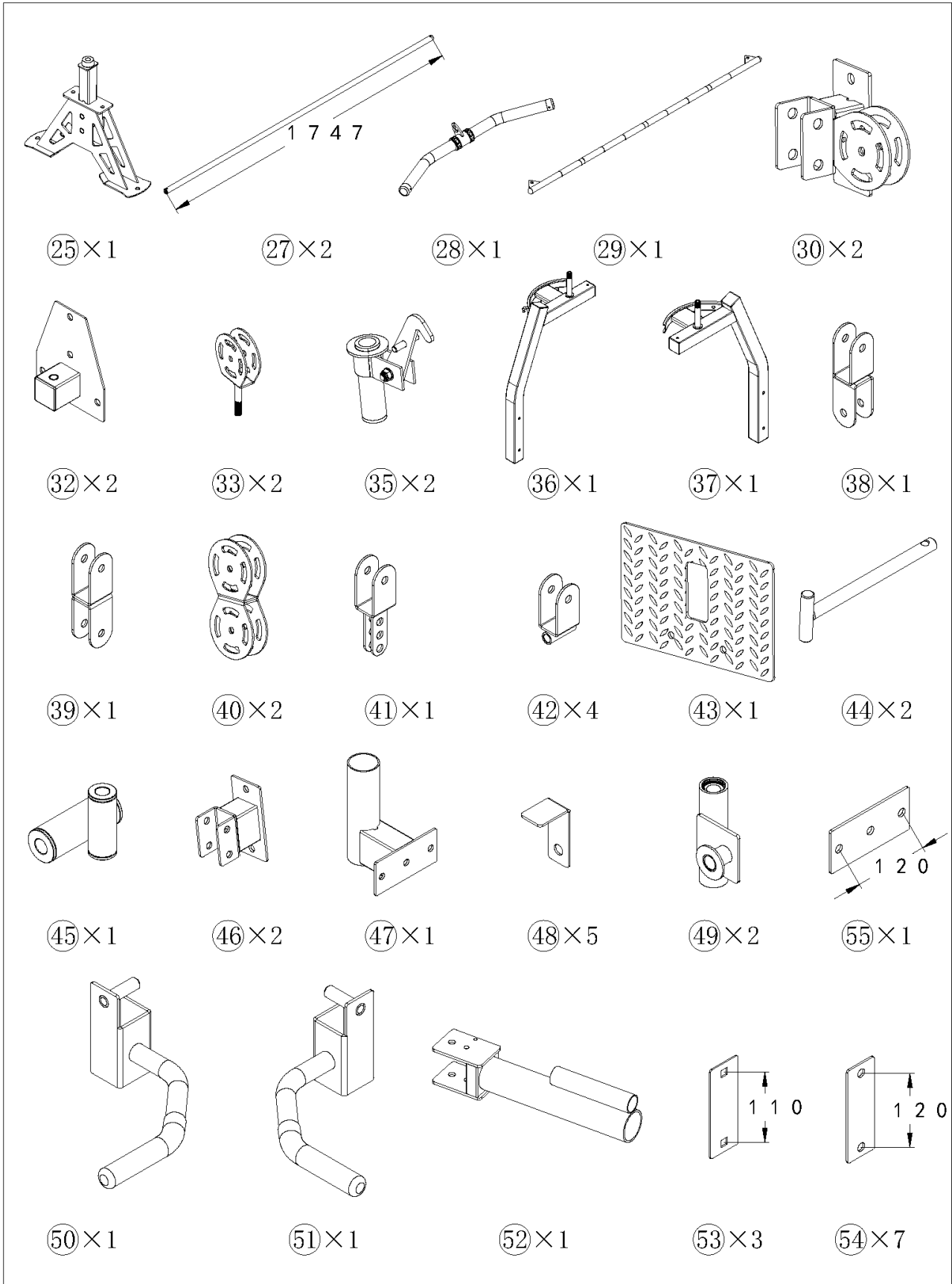
①53×4

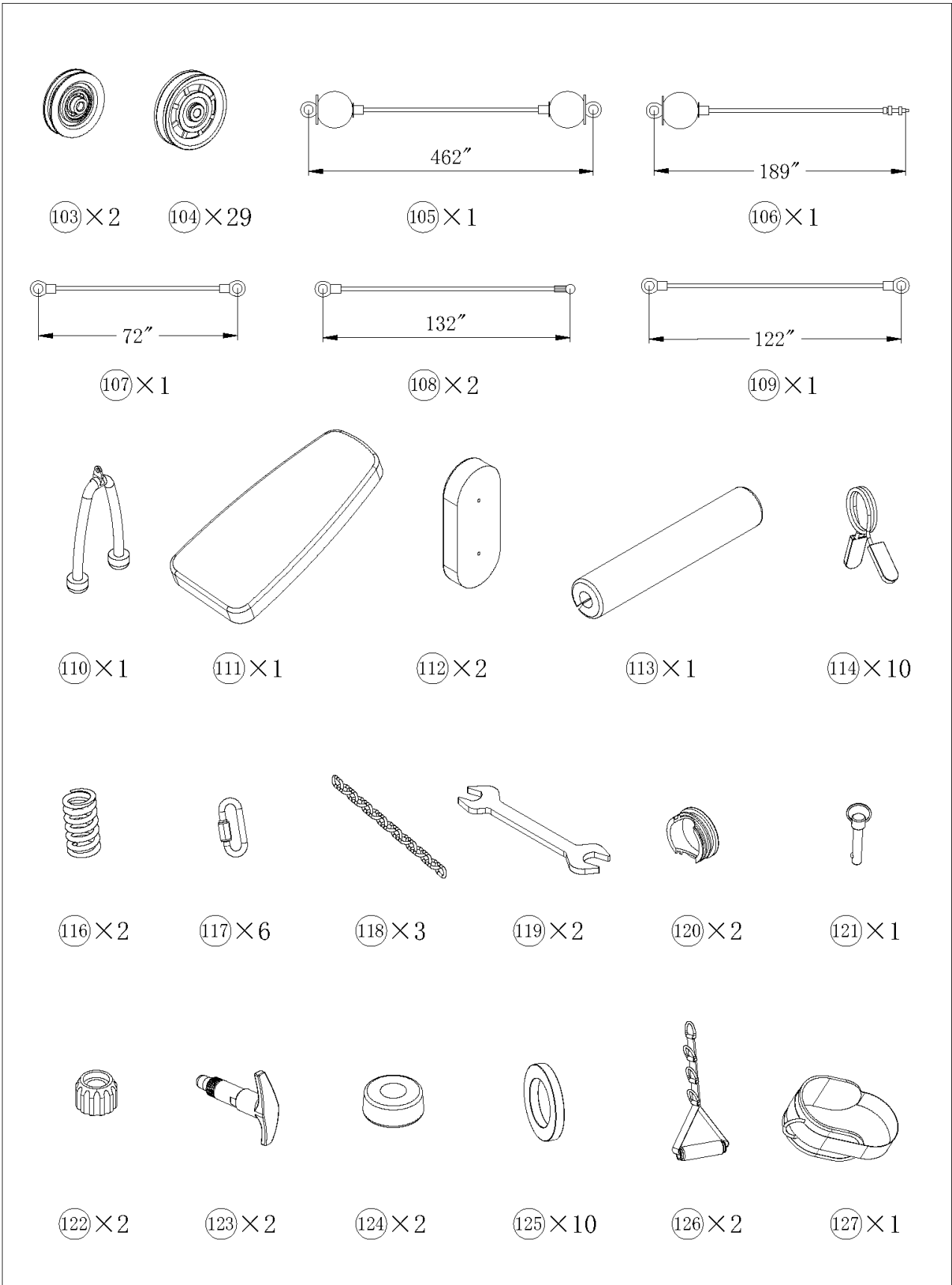


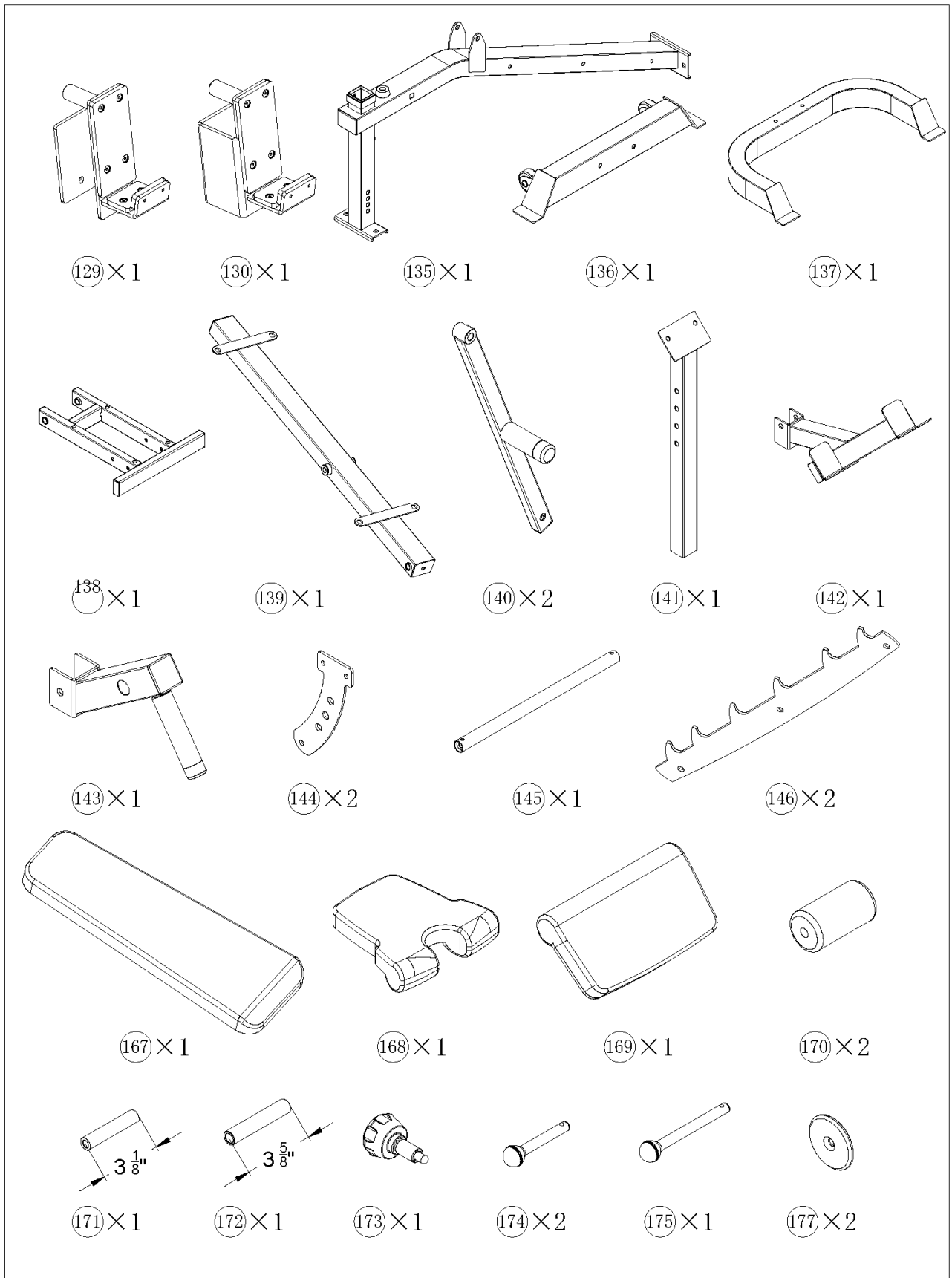
①57×2





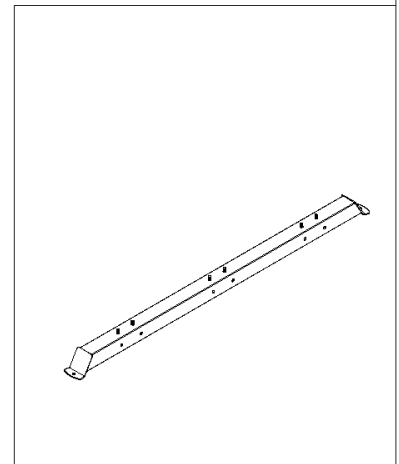
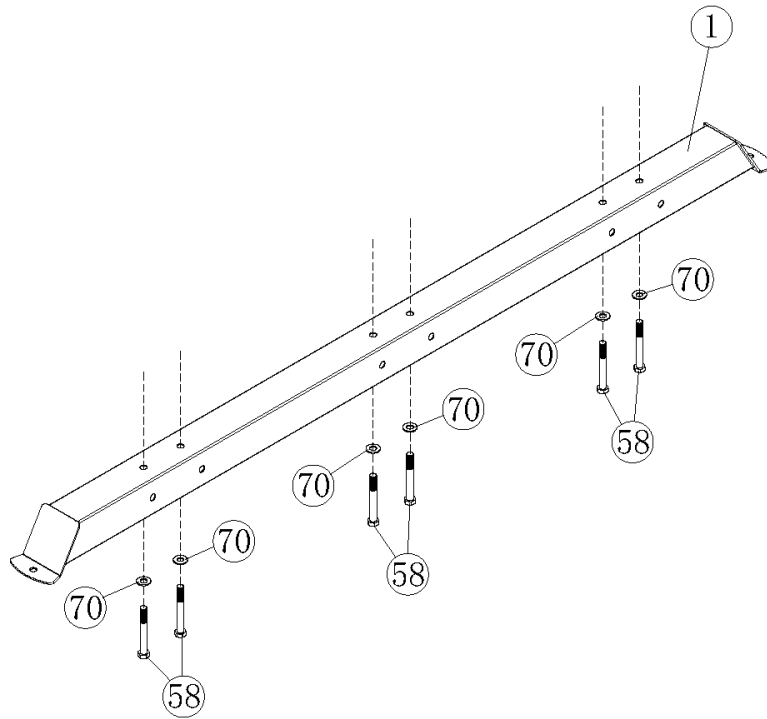
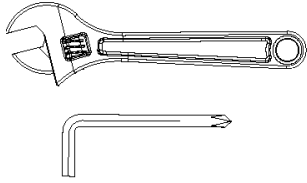




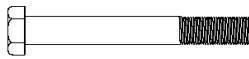




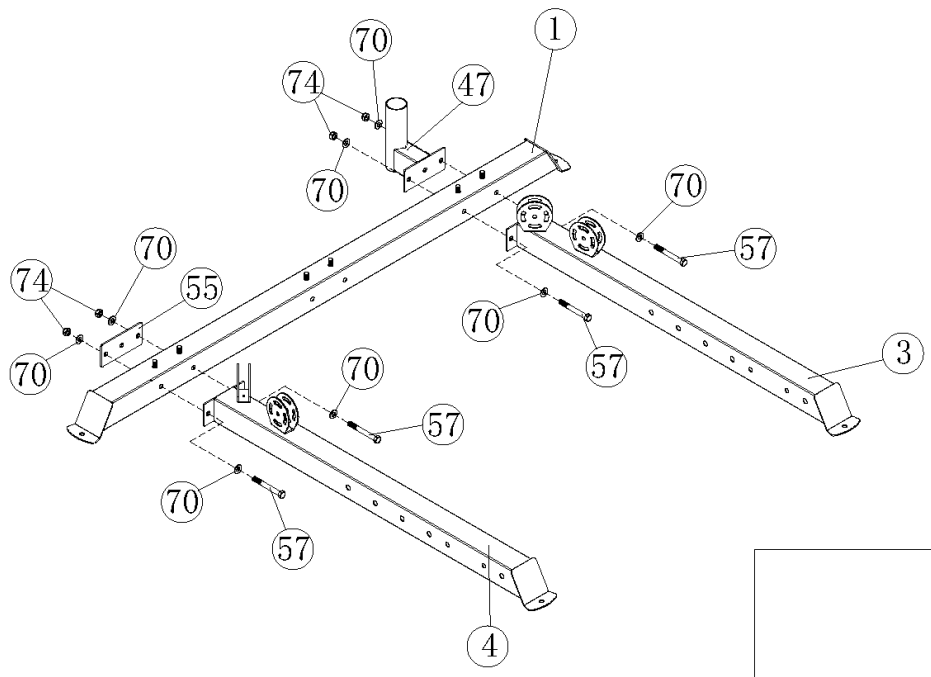
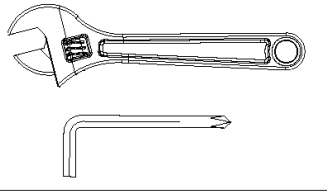
⑤⑧  6 M12 × 3 3/4"

⑦⑦  6 Ø 1"

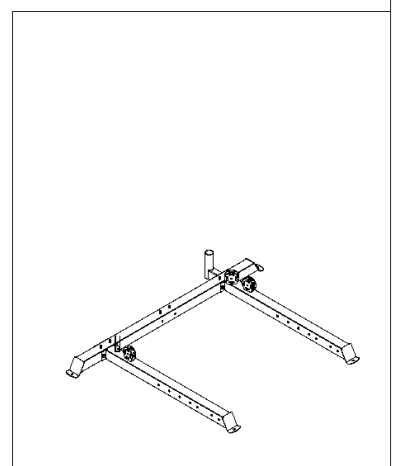


1

57		4	M12 × 4"
70		8	Ø 1"
74		4	M12



2



70



6

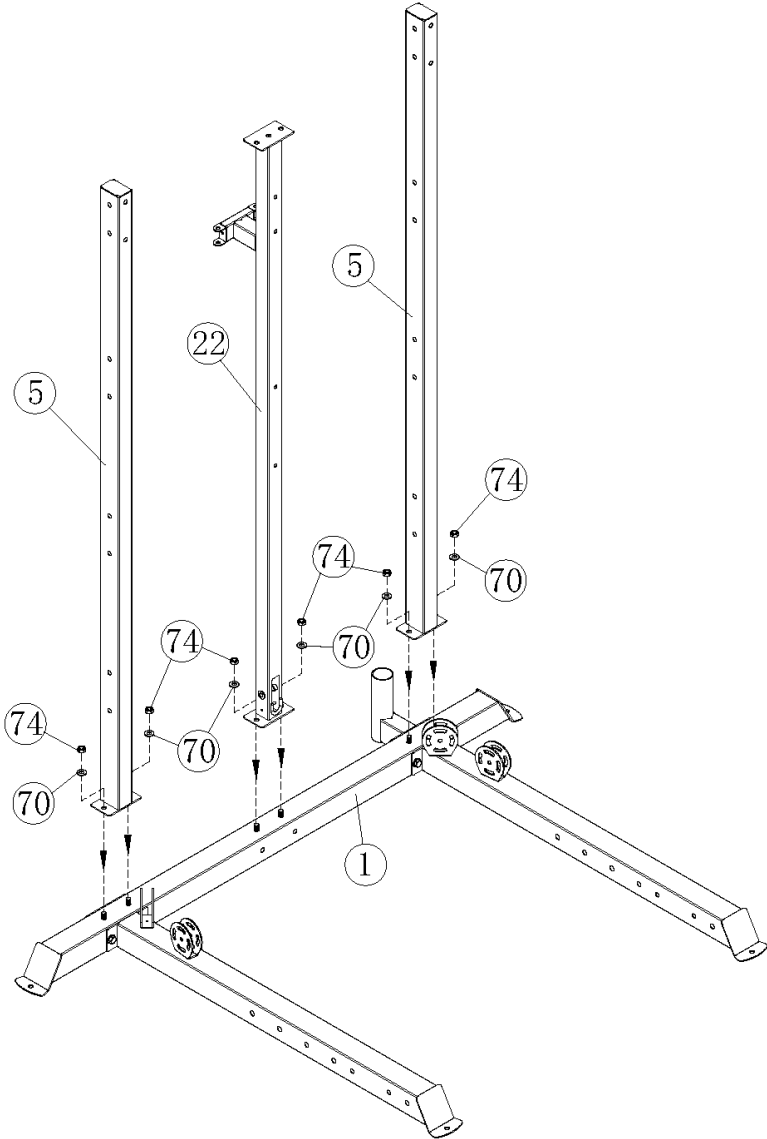
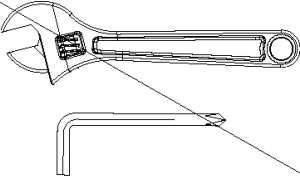
Ø 1"

74

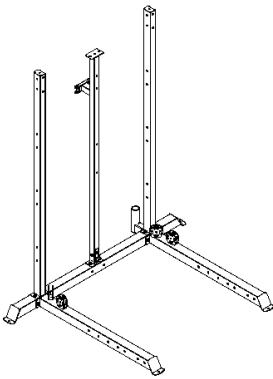





6

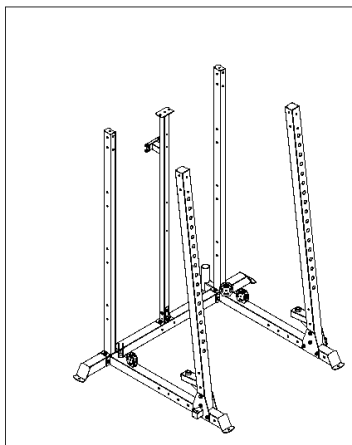
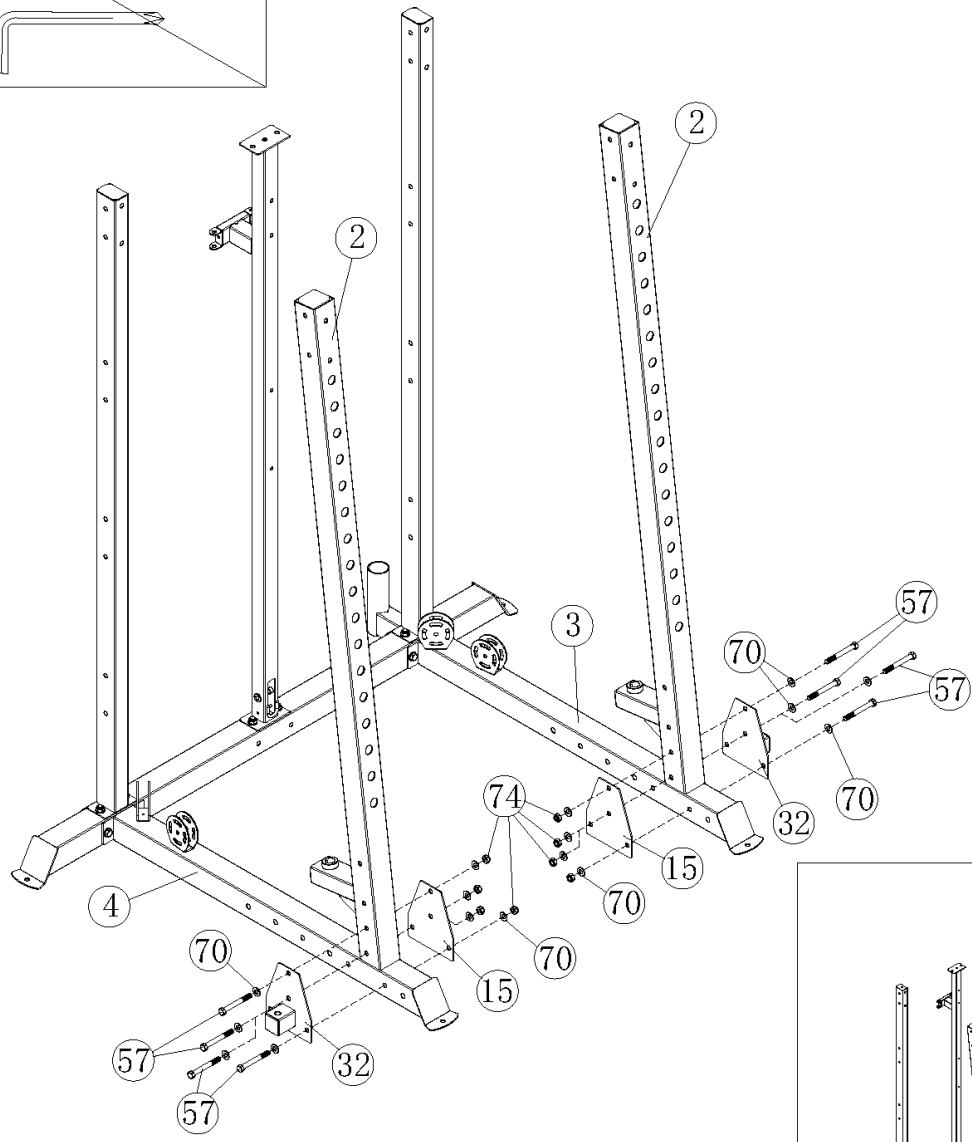
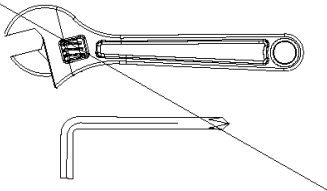
M12



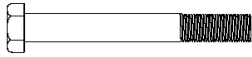

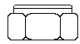
3

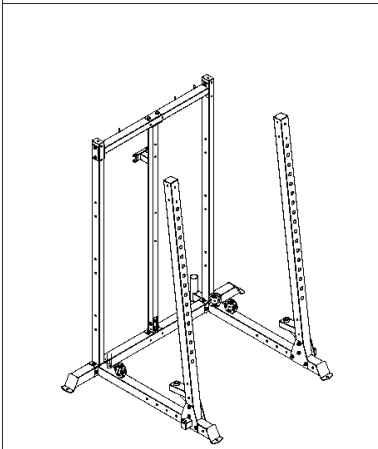
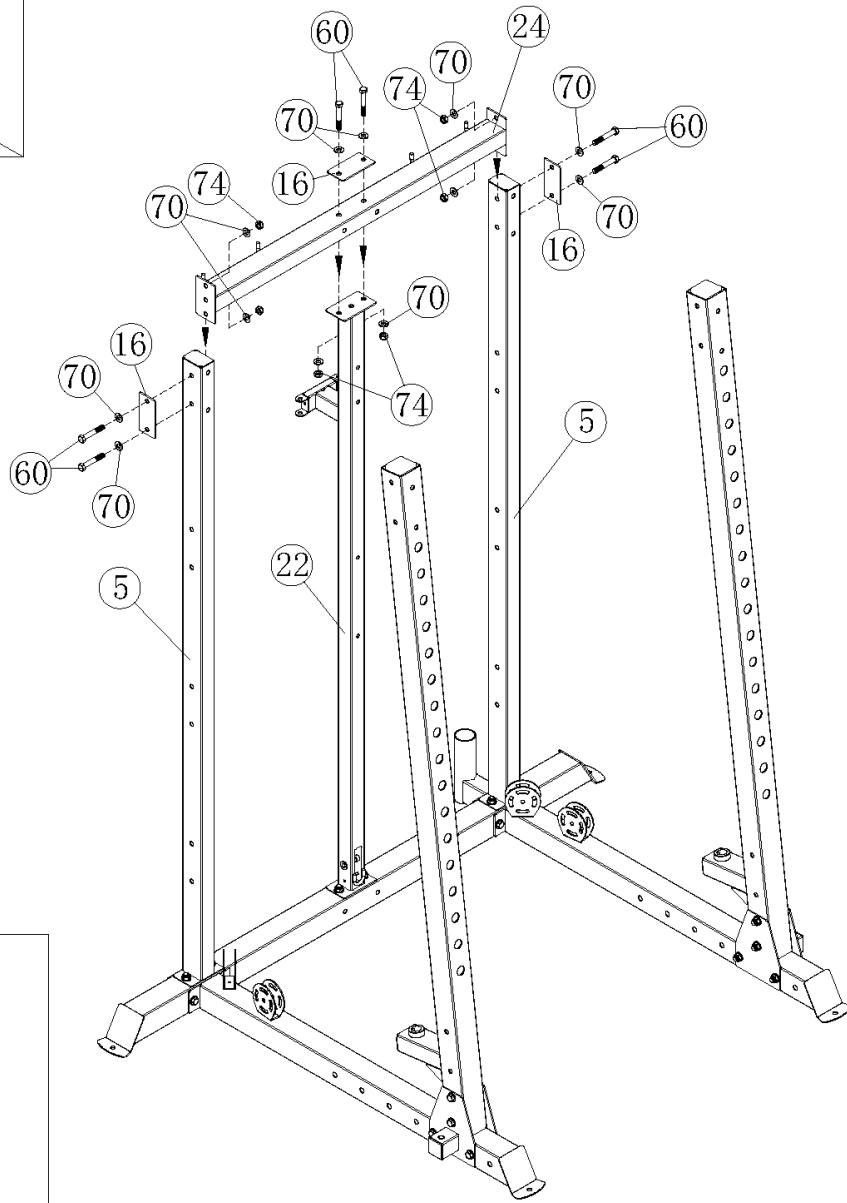
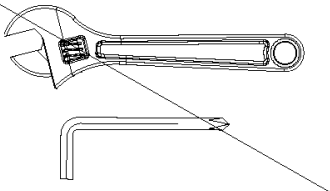


⑤7		8	M12 × 4"
⑦0		16	Ø 1"
⑦4		8	M12




4

⑥0		6	M12 × 3"
⑦0		12	Ø 1"
⑦4		6	M12

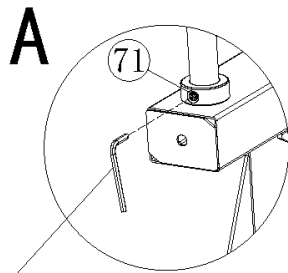
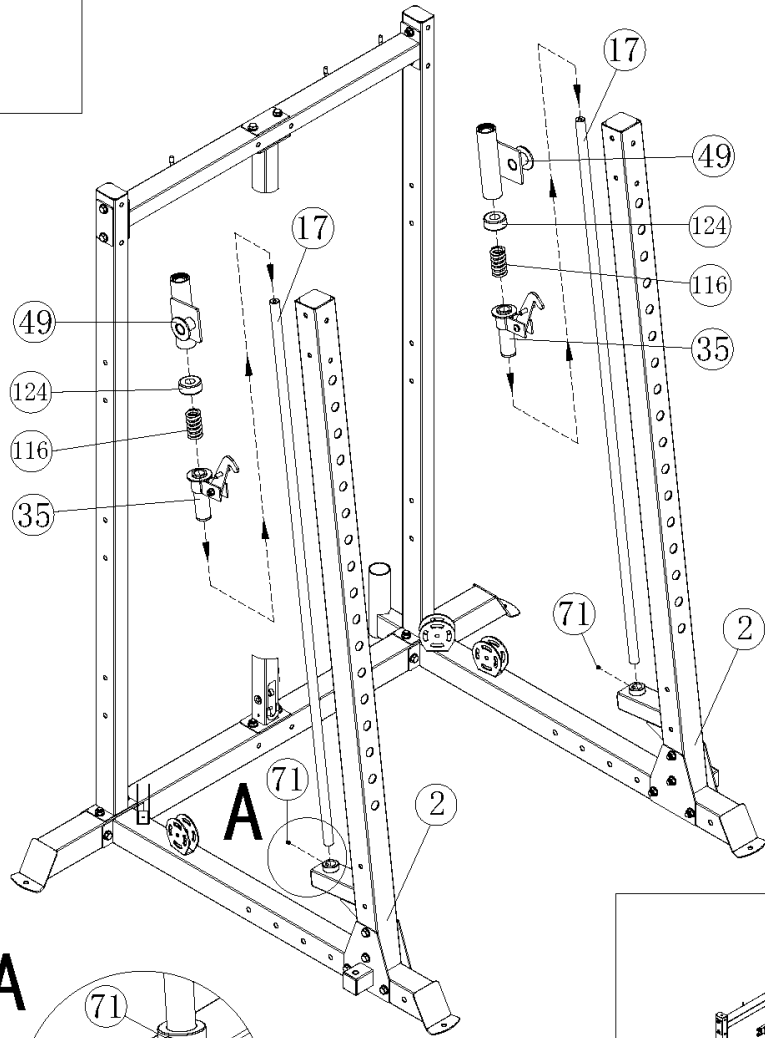
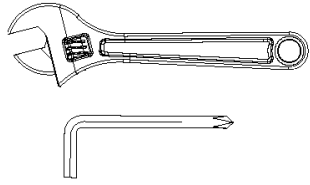


5

④②  2 M8 × $\frac{3}{8}$ "

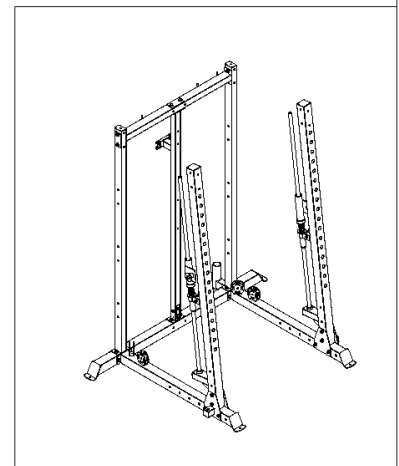


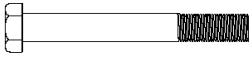


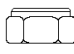

4# Allen Wrench (Tool)

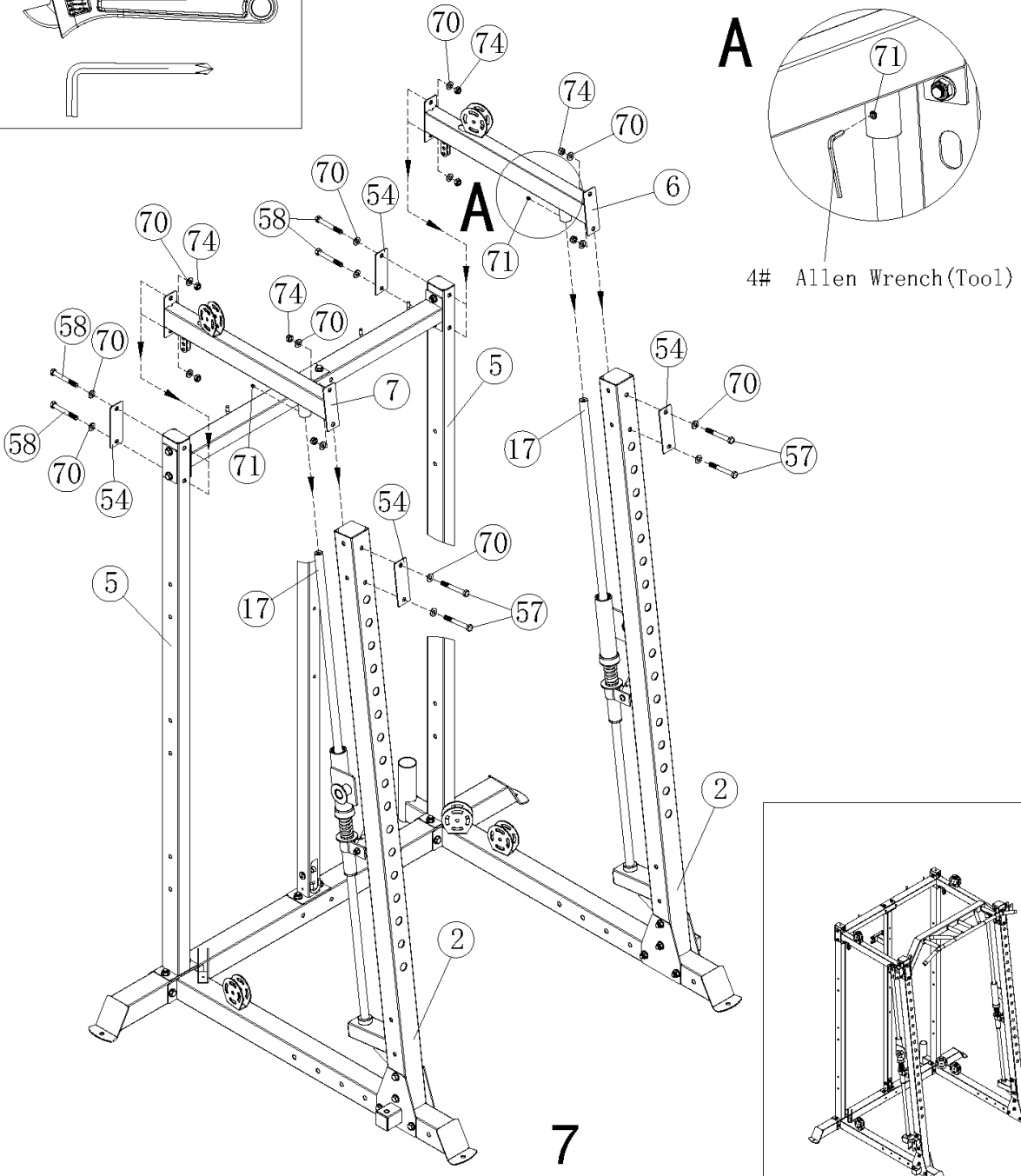
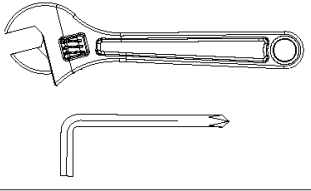





4# Allen Wrench (Tool)

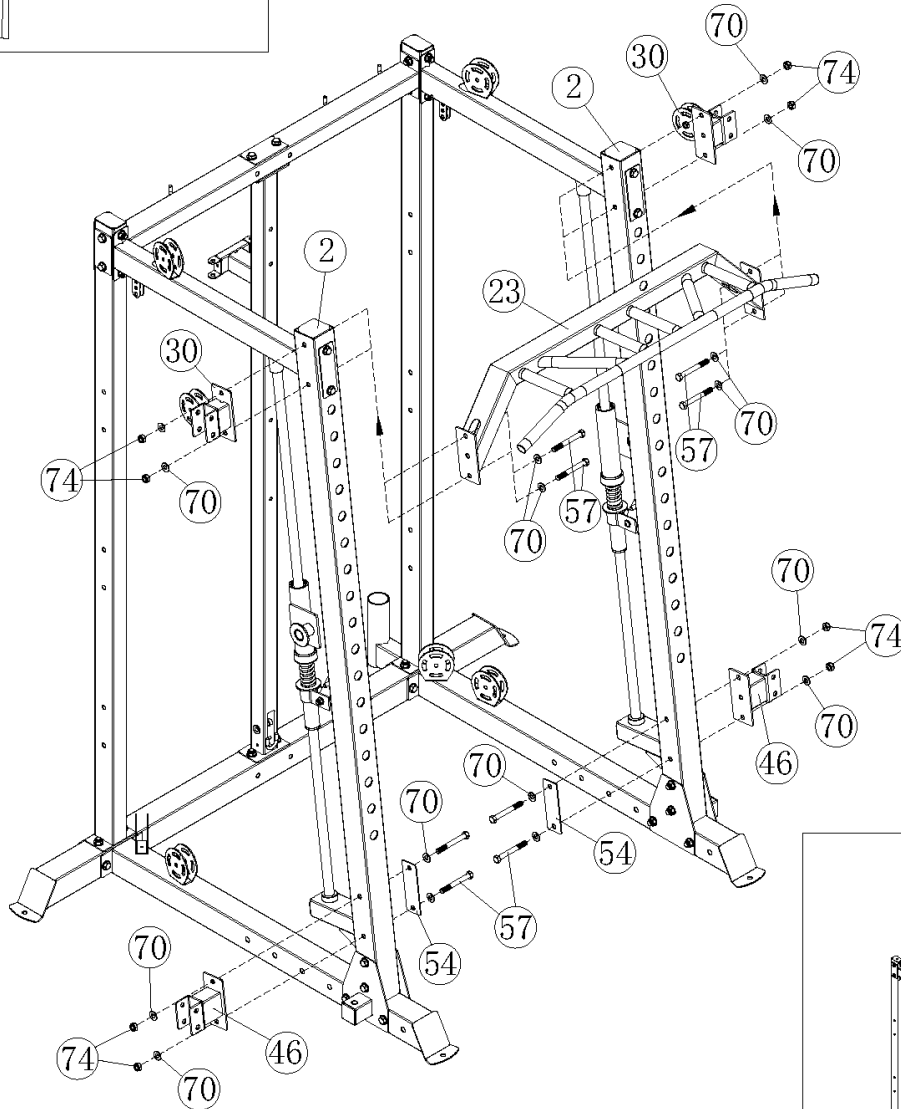
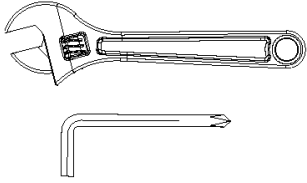
6



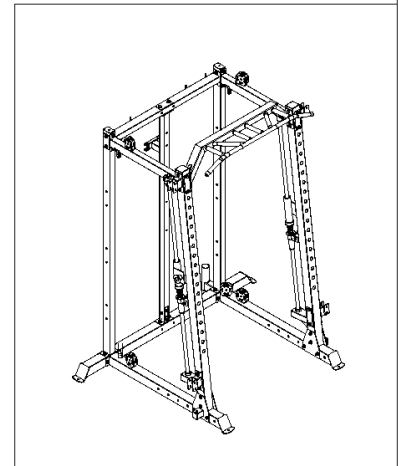
- | | | | | | | | |
|----|---|---|--------------|----|---|----|------|
| ⑤7 |  | 8 | M12 × 4" | ⑦0 |  | 16 | Ø 1" |
| ⑤8 |  | 6 | M12 × 3 3/4" | ⑦4 |  | 8 | M12 |
| ④2 |  | 2 | M8 × 3/8" | | | | |

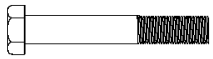


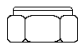


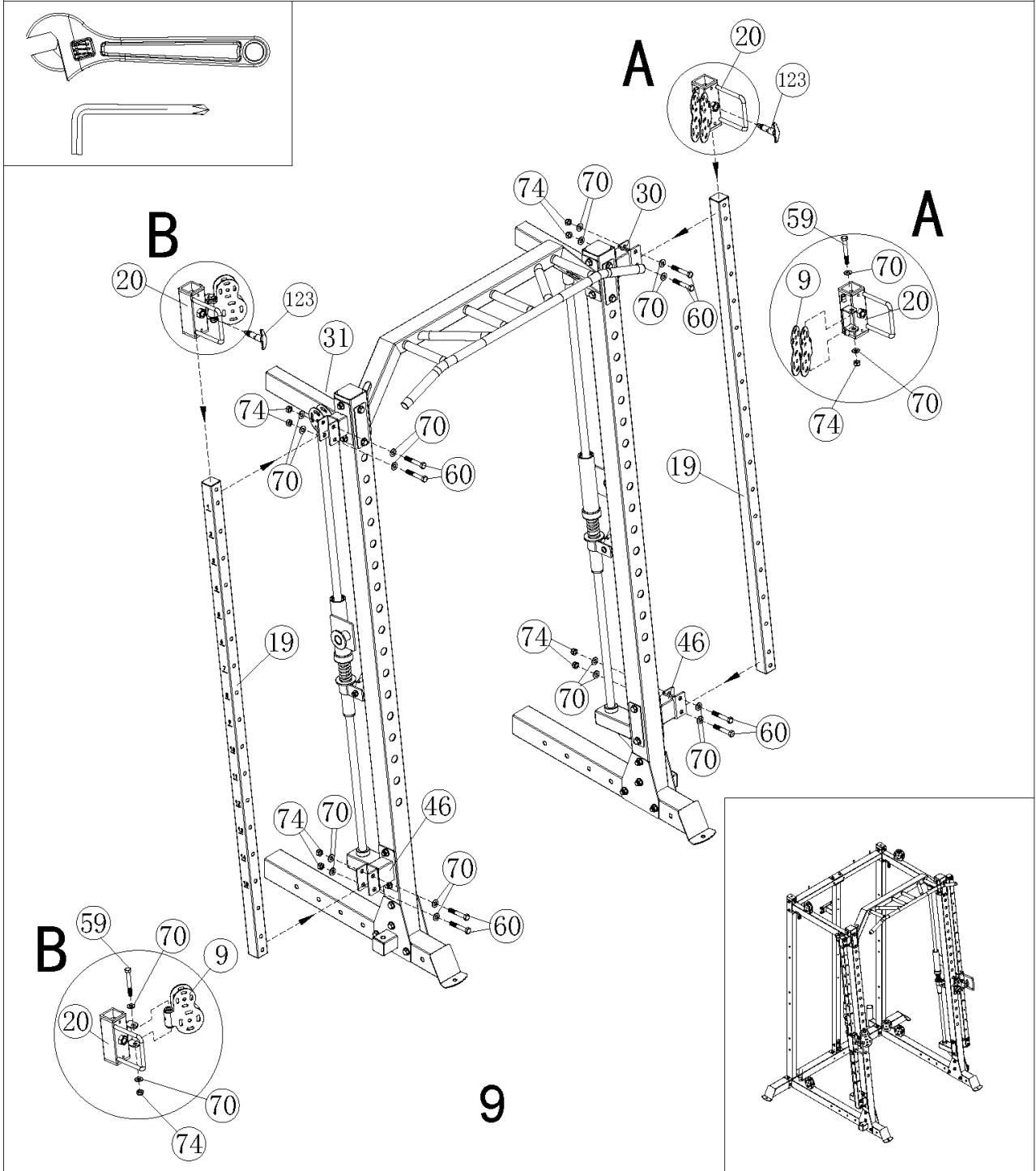
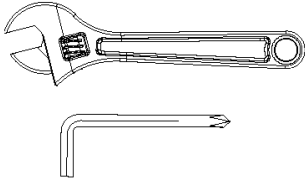
57		8	M12 × 4"
70		16	Ø 1"
74		8	M12

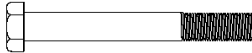

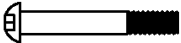





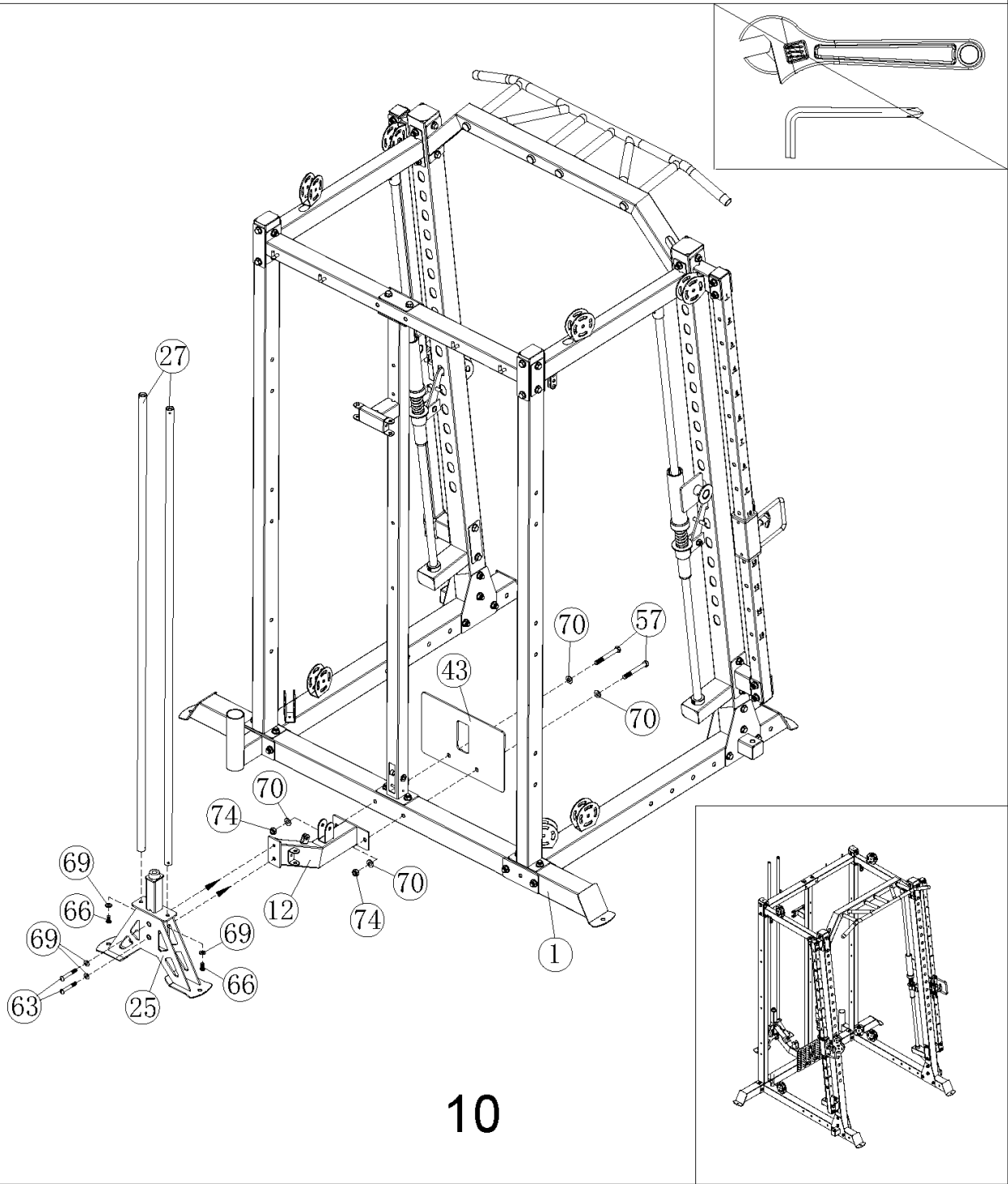
8



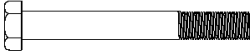
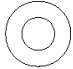

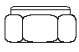
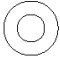
- | | | | | | | | |
|----|---|---|--------------|----|---|----|------|
| ⑥0 |  | 8 | M12 × 3" | ⑦0 |  | 20 | Ø 1" |
| ⑥0 |  | 2 | M12 × 3 1/2" | ⑦4 |  | 10 | M12 |

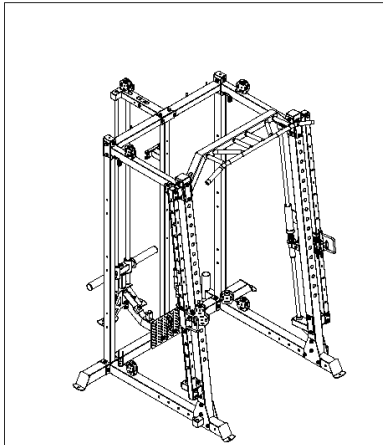
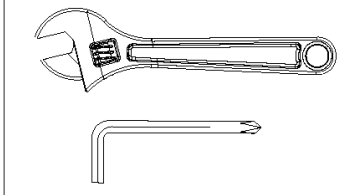
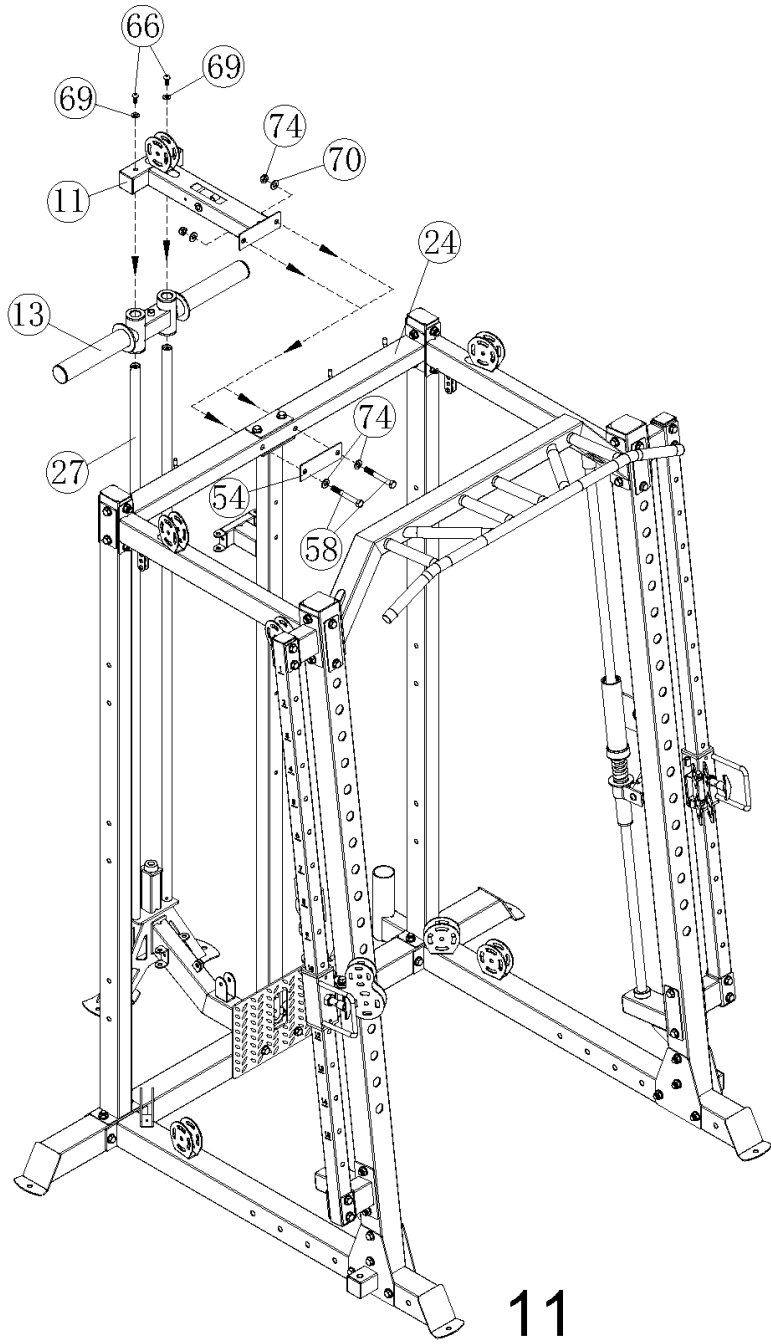


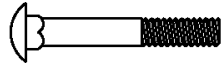

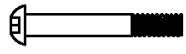
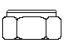
⑤7		2	M12 × 4"	⑦0		4	Ø 1"
⑥3		2	M10 × 2 1/2"	⑦4		2	M12
⑥6		2	M10 × 3/4"	⑥9		4	Ø 3/4"

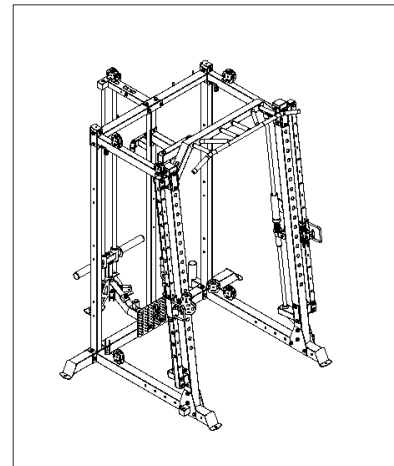
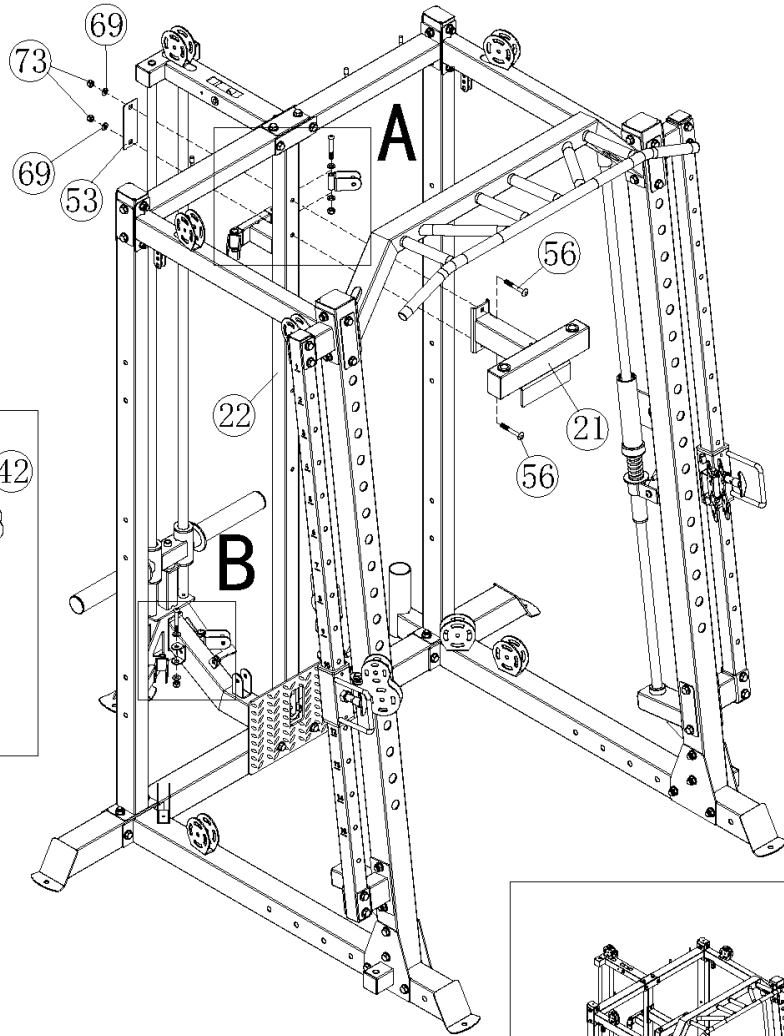
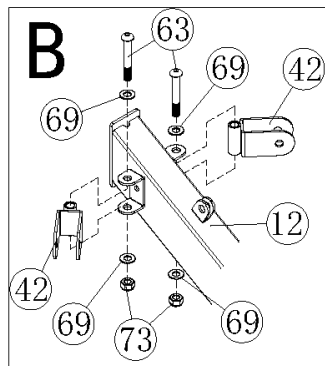
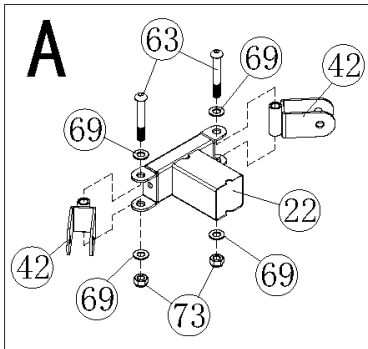
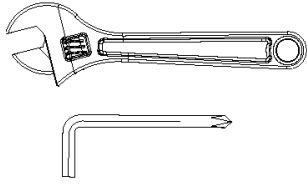


10

⑤⑧		2	M12×3 3/4"	⑦⑦		4	Ø 1"
⑥⑥		2	M10×3/4"	⑦④		2	M12
⑥⑨		2	Ø 3/4"				



56		2	M10×2 3/4"	69		10	Ø 3/4"
63		4	M10×2 3/4"	73		6	M10



12

66



2

M10 × 3/4"

69



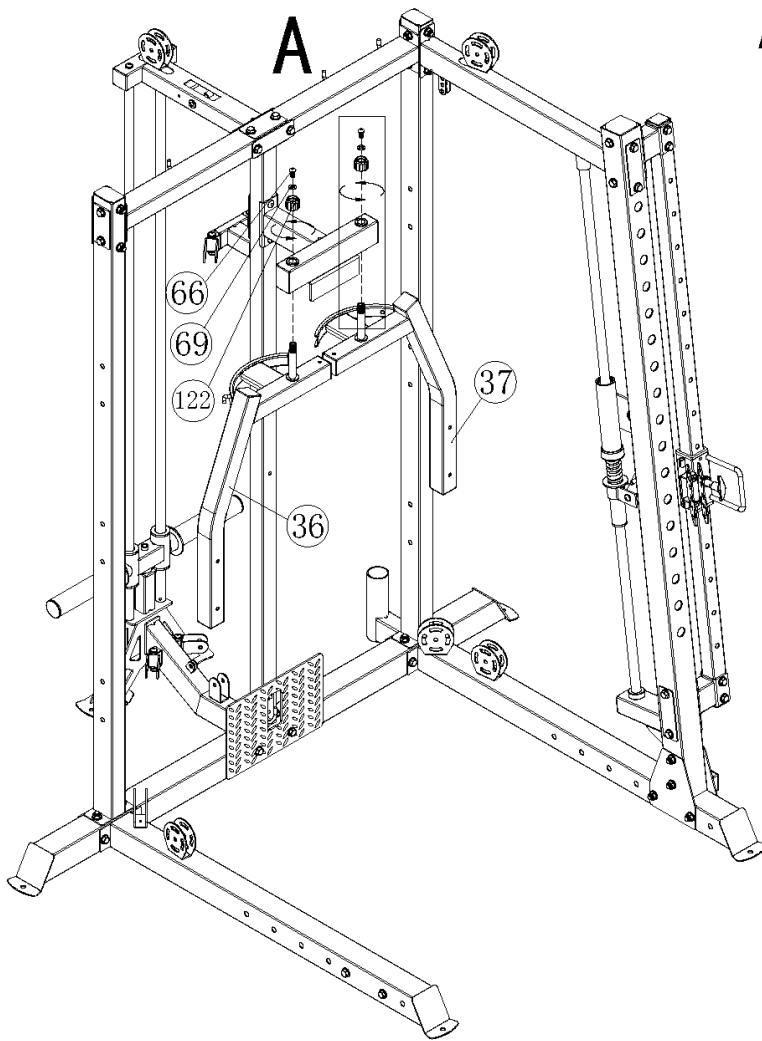
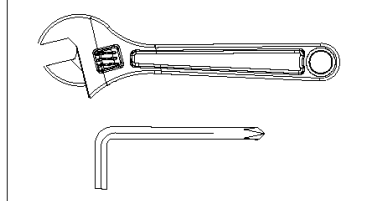
2

69

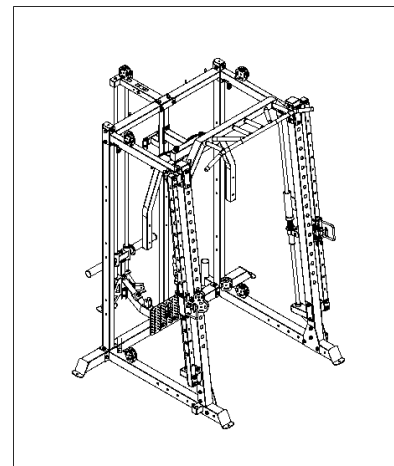
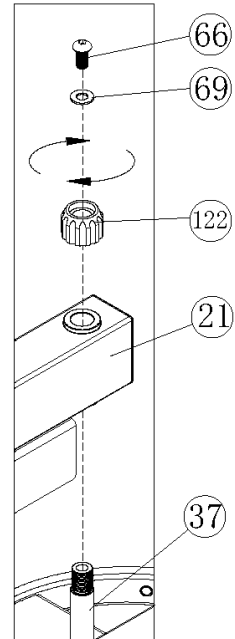


2

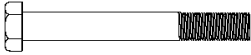

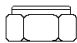
Ø 3/4"

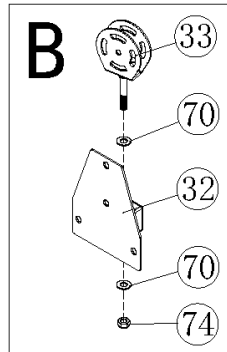
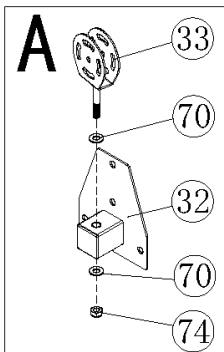
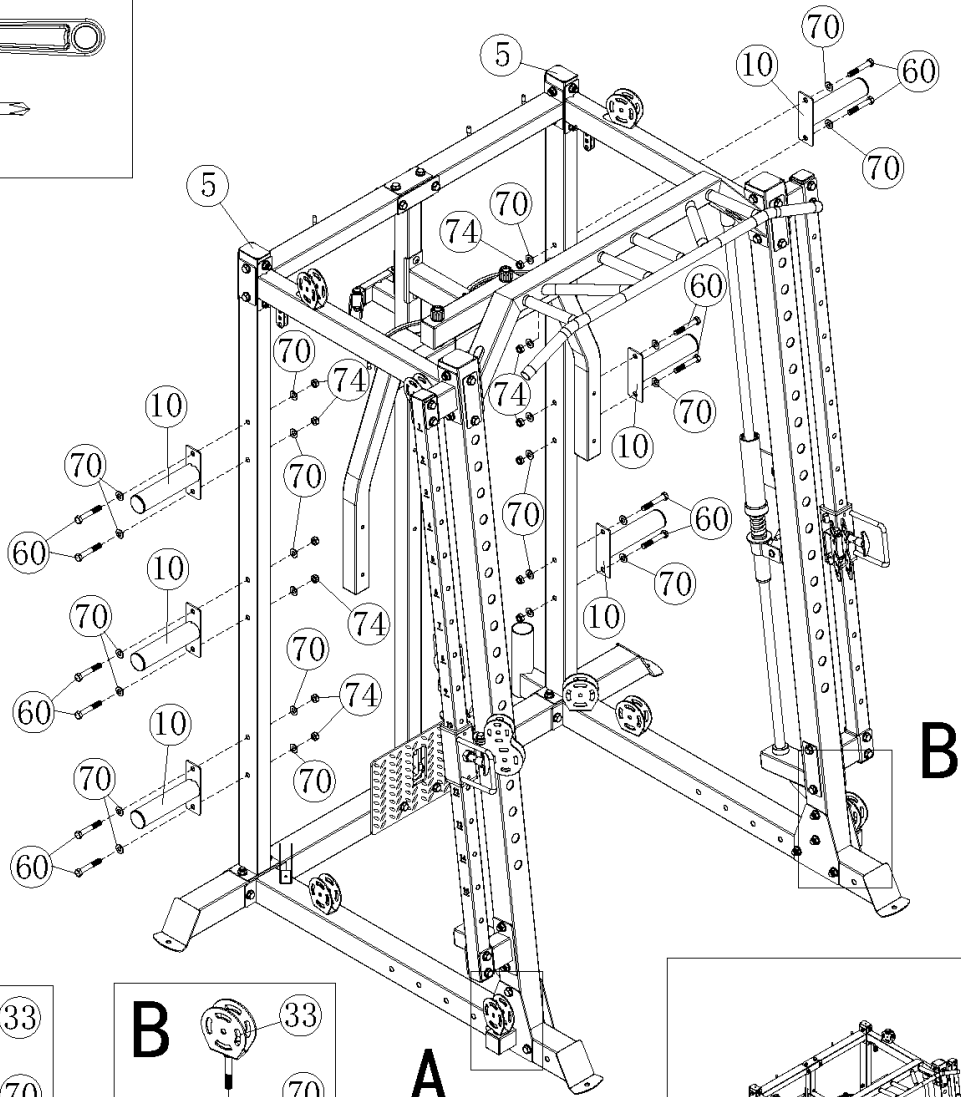
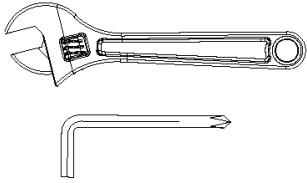


A



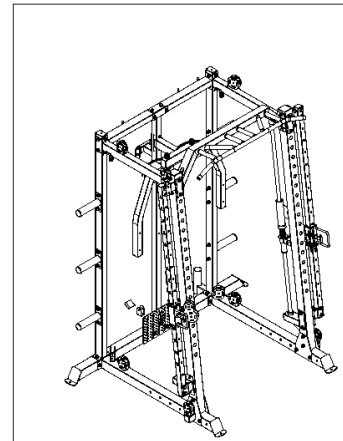
13

⑥0		12	M12 × 3"
⑦0		28	Ø 1"
⑦4		14	M12



A

14

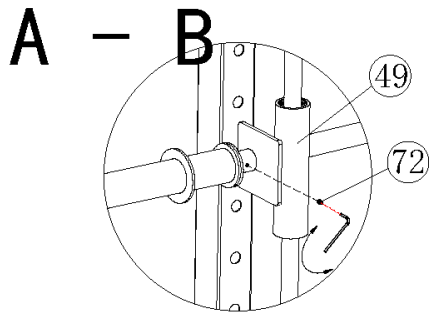
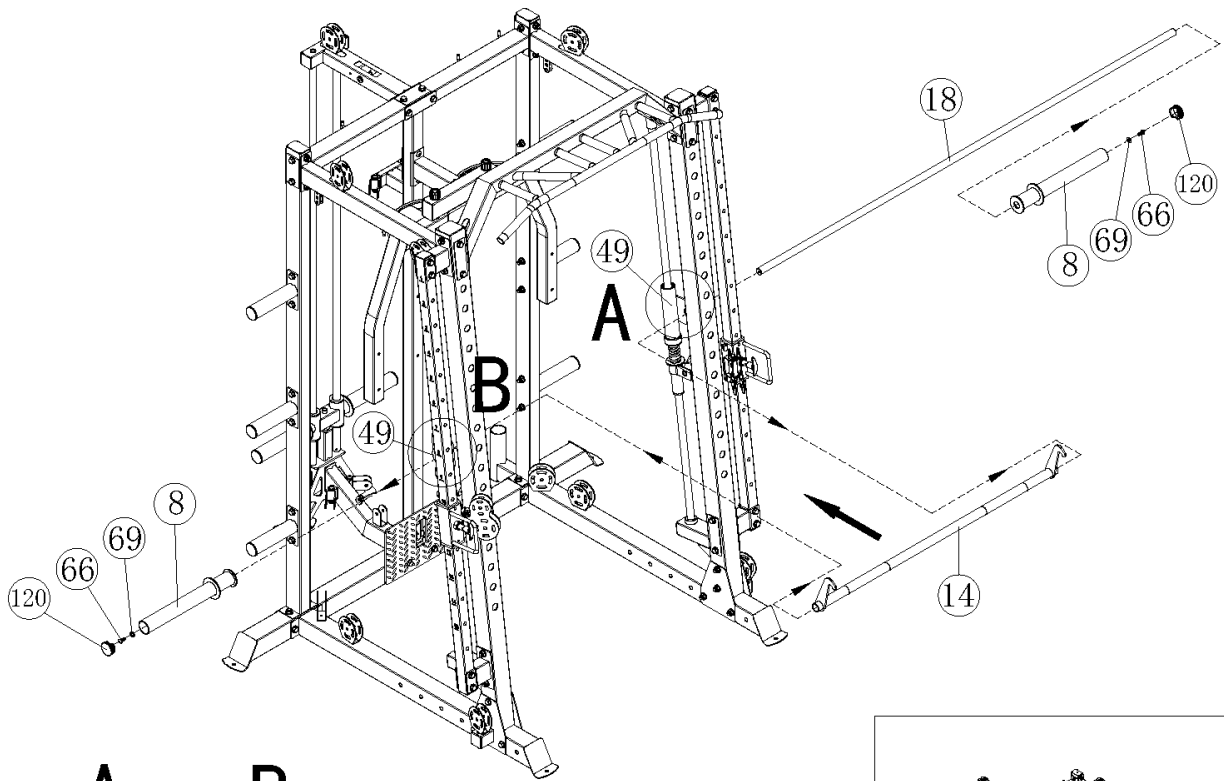
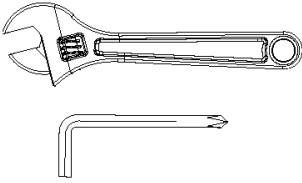
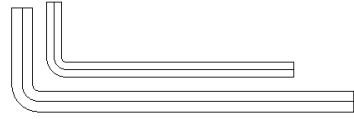


⑥⑥  2 M10× $\frac{3}{4}$ "

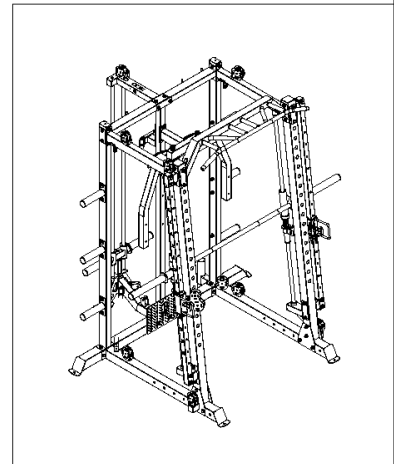
⑥⑨  2 $\varnothing \frac{3}{4}$ "

⑦②  2 M6× $\frac{1}{4}$ "

3#/6# Allen Wrench (Tool)



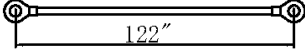
15

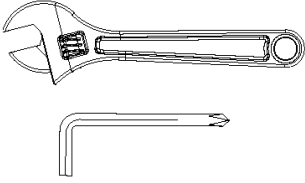


64  4 M10×2"

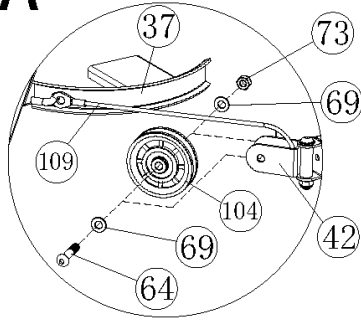
73  6 M10

69  10 $\varnothing \frac{3}{4}$ "

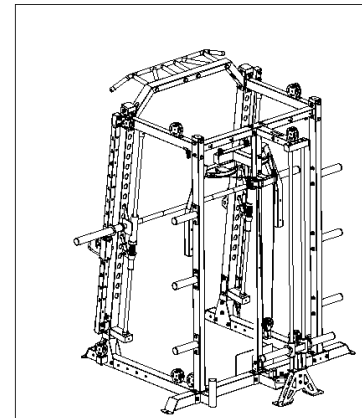
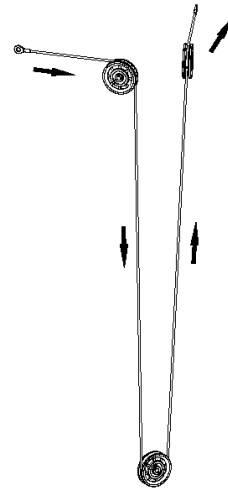
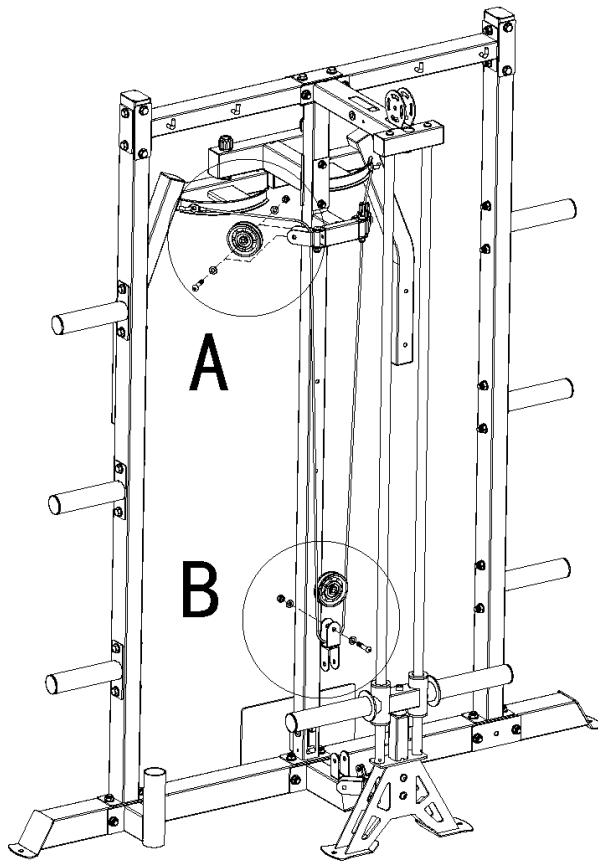
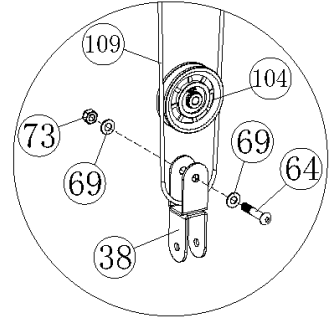
109  122" 1



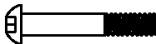


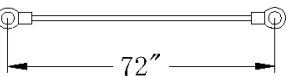

A

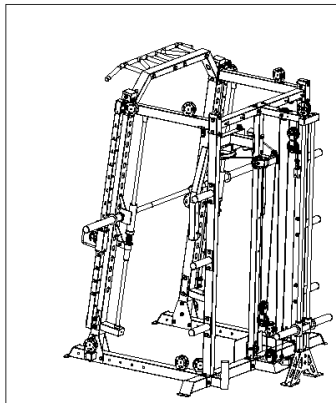
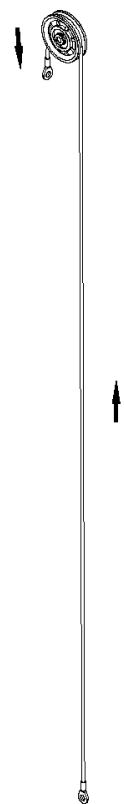
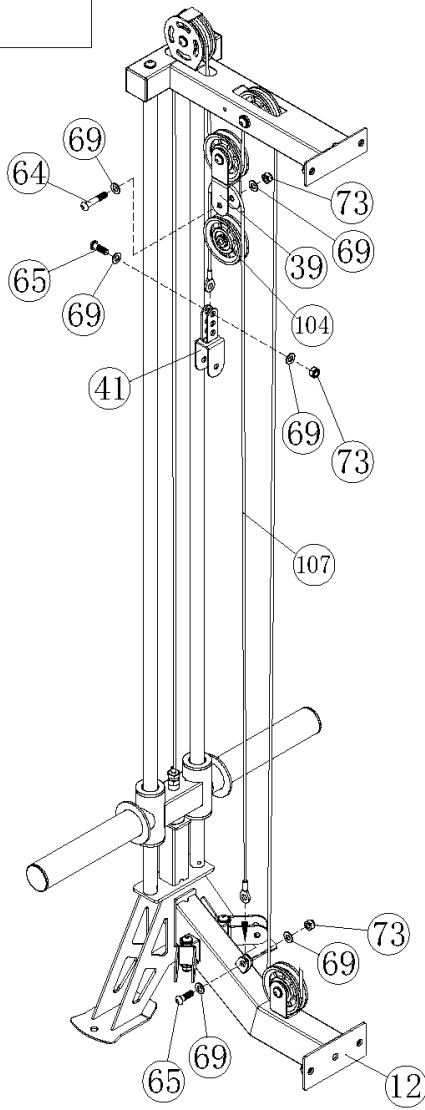
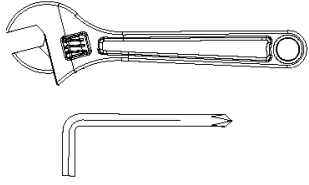


B

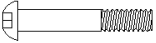

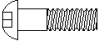
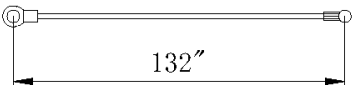



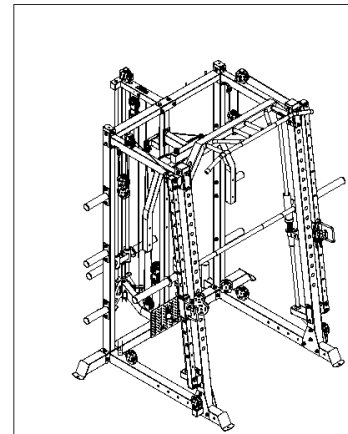
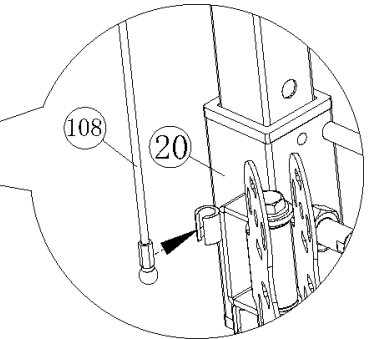
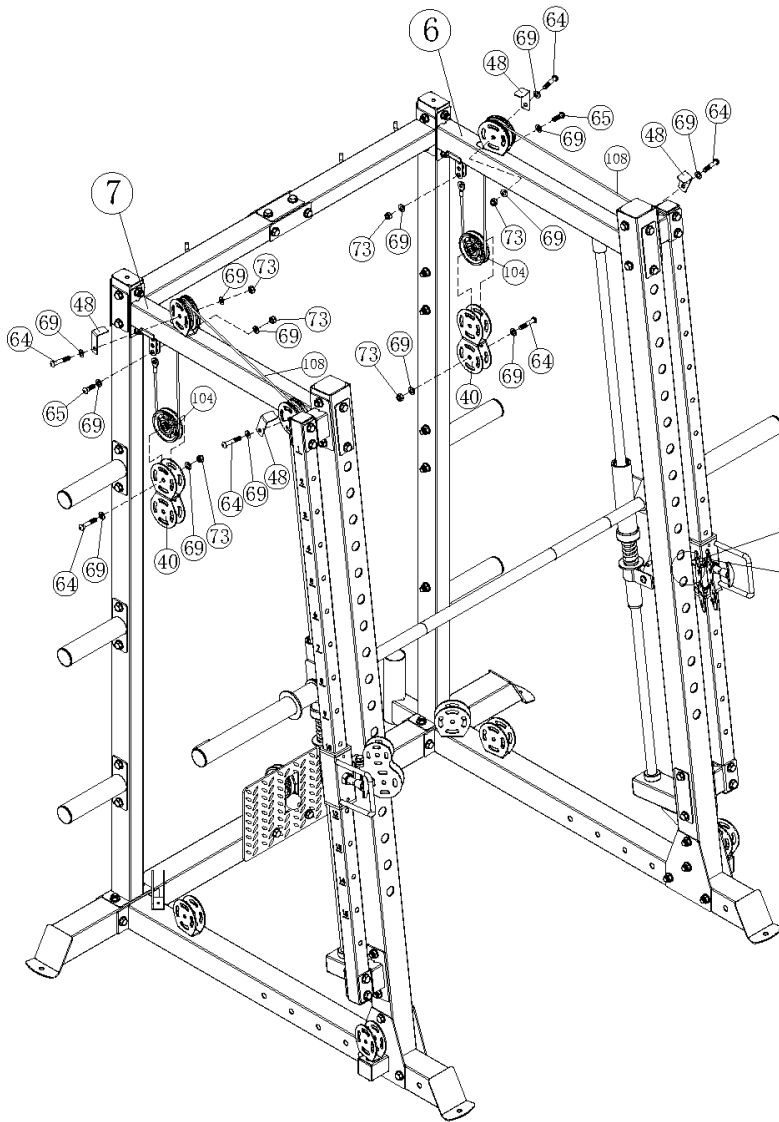
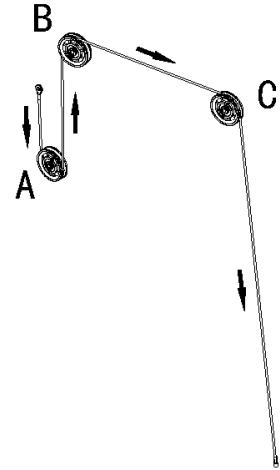
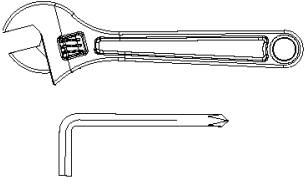
16

- | | | | | | | | |
|----|---|---|------------|----|---|---|-----|
| ⑥4 |  | 1 | M10×2" | ⑦3 |  | 3 | M10 |
| ⑥5 |  | 2 | M10×1 1/8" | ⑩7 |  | 1 | 72" |
| ⑥9 |  | 6 | Ø 3/4" | | | | |



18

- | | | | | | | | |
|------|---|----|------------|-------|---|---|------|
| (64) |  | 6 | M10×2" | (73) |  | 6 | M10 |
| (65) |  | 2 | M10×1 1/8" | (108) |  | 2 | 132" |
| (69) |  | 14 | Ø 3/4" | | | | |



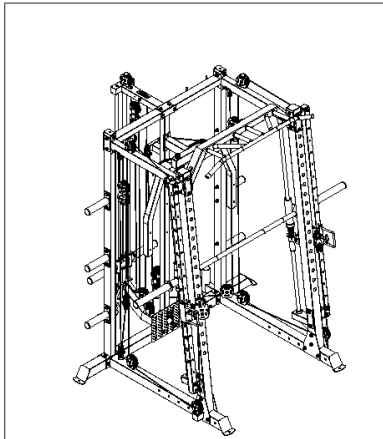
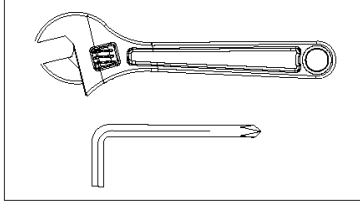
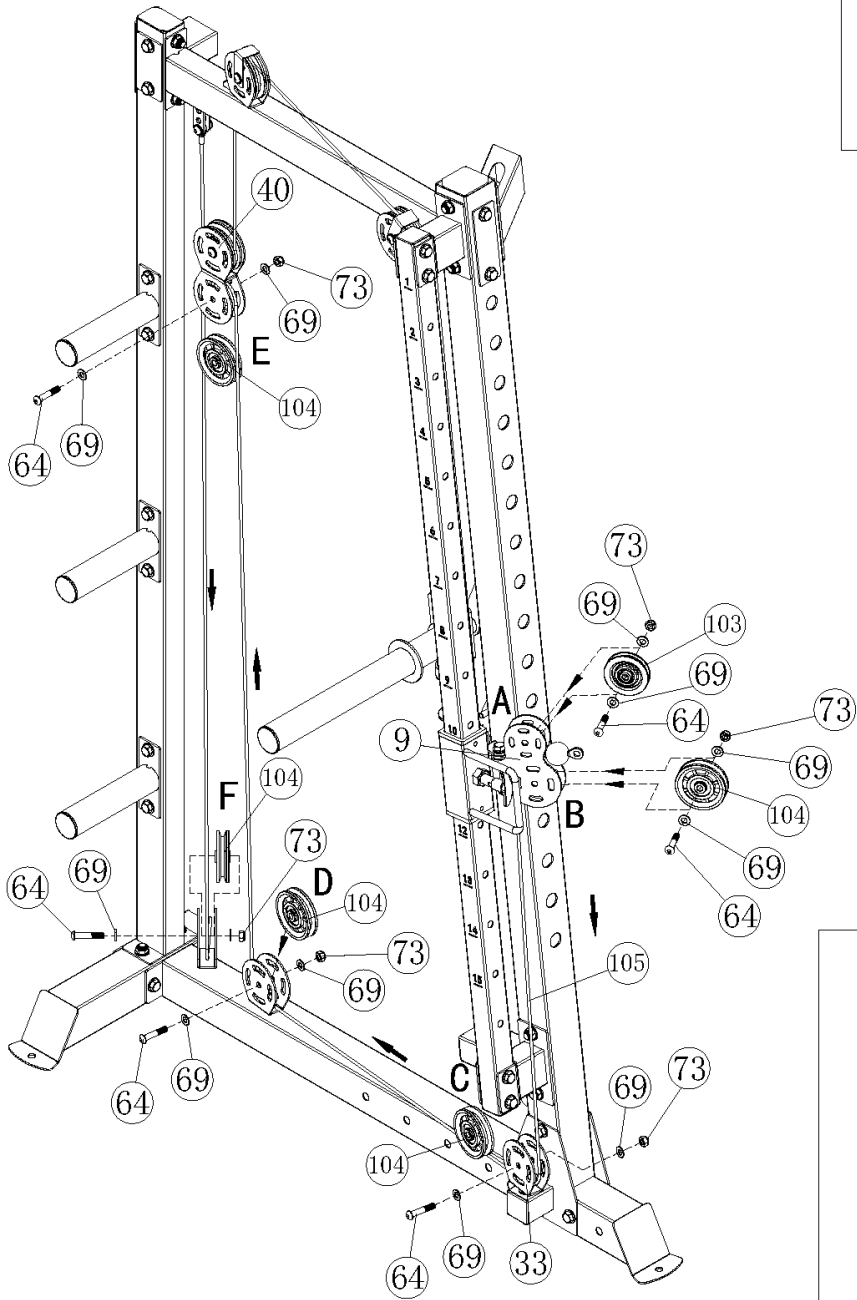
19

64 6 M10×2"

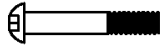


73 6 M10

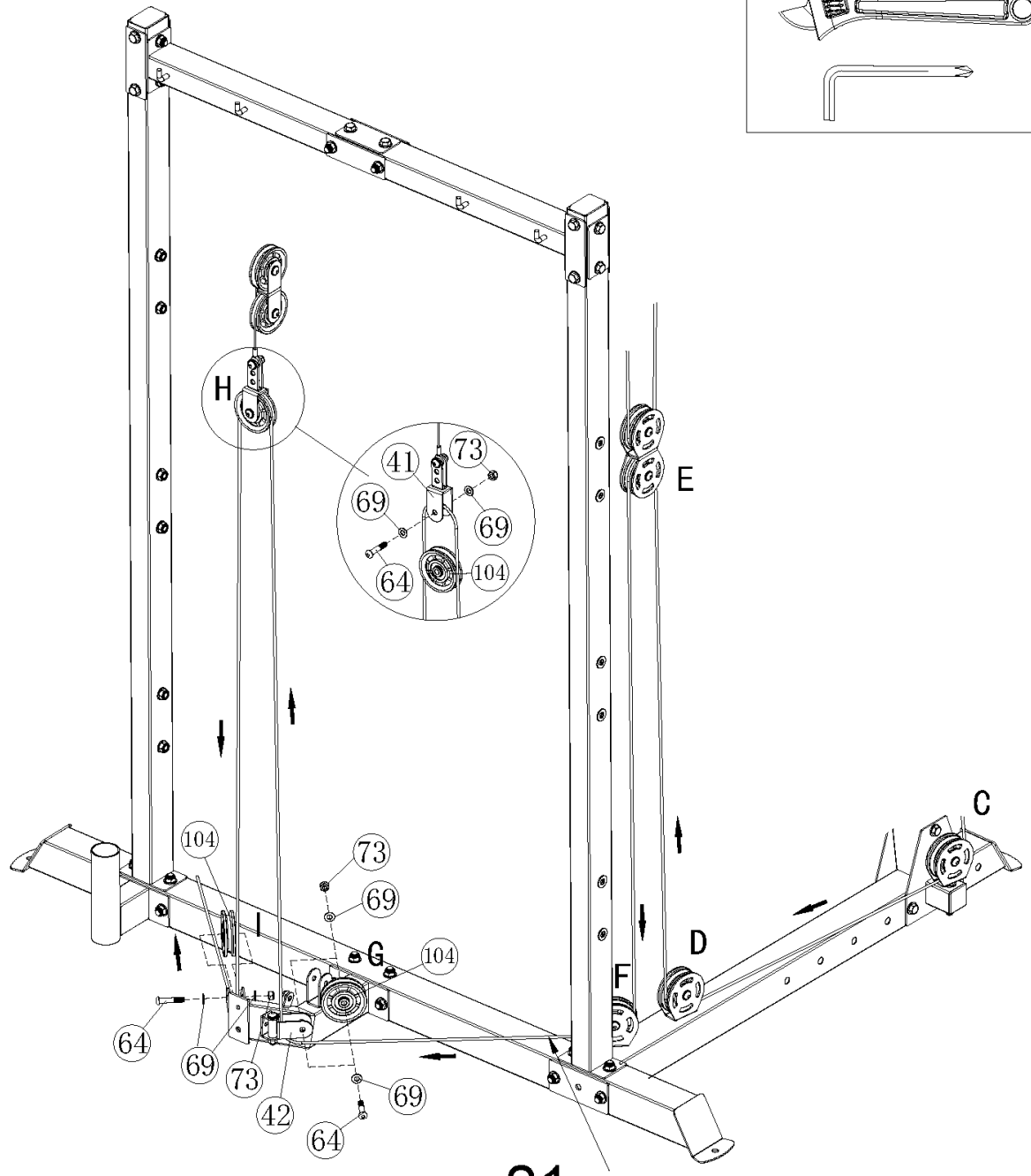
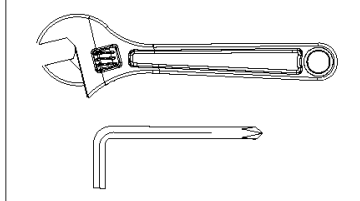
69 14 Ø 3/4"

105 1
462"

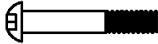




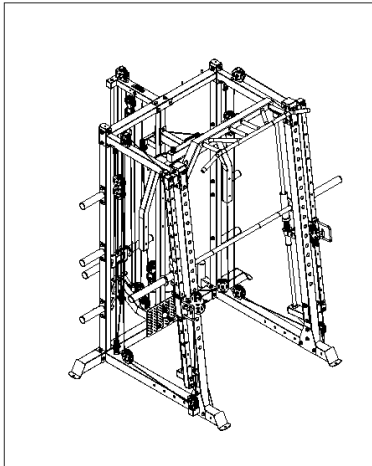
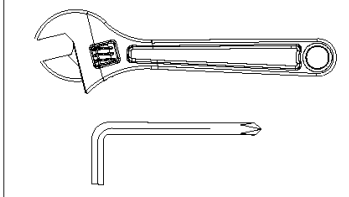
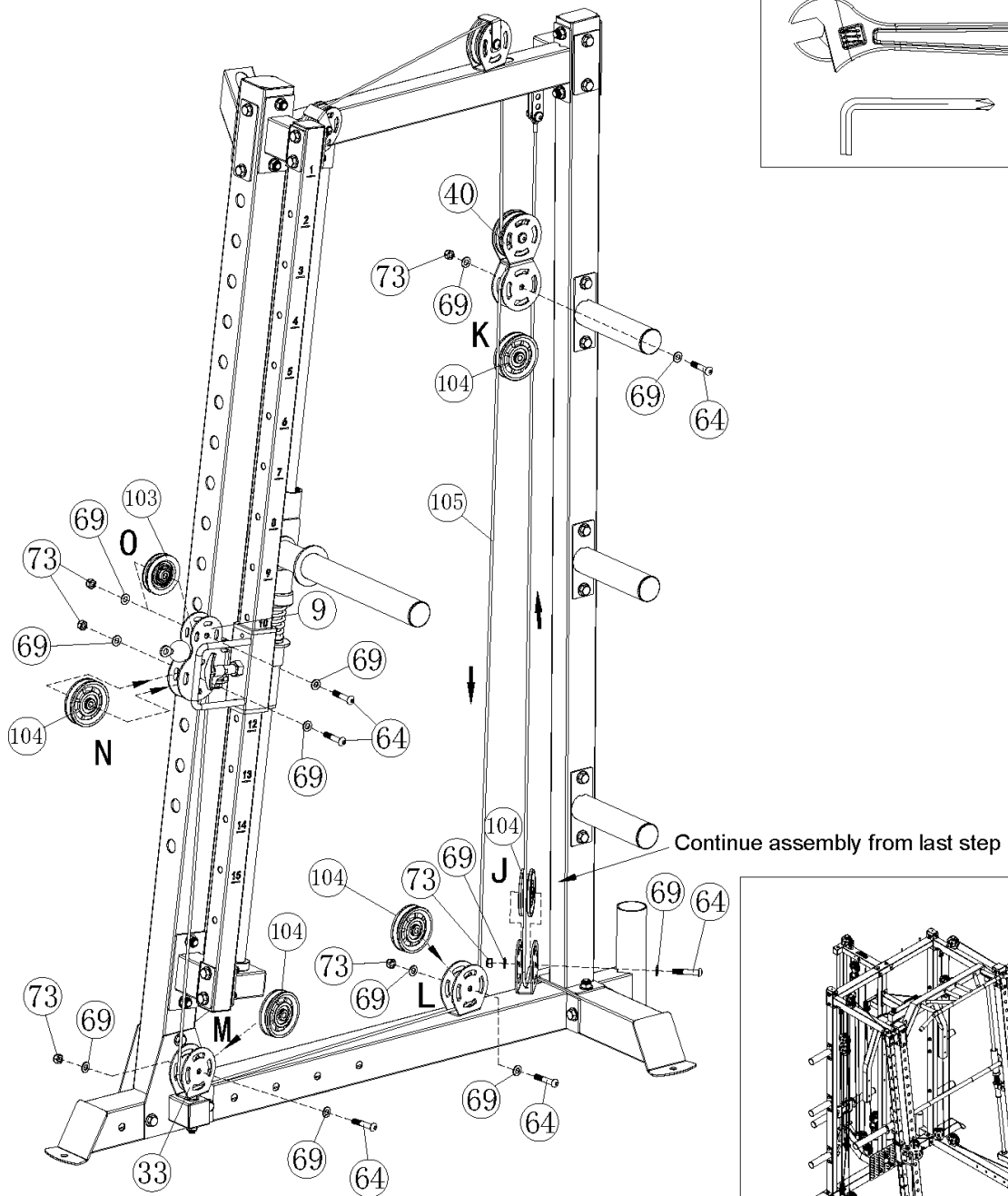
20

- ⑥4  3 M10×2" ⑦3  3 M10
- ⑥9  6 $\text{Ø } \frac{3}{4}$ "



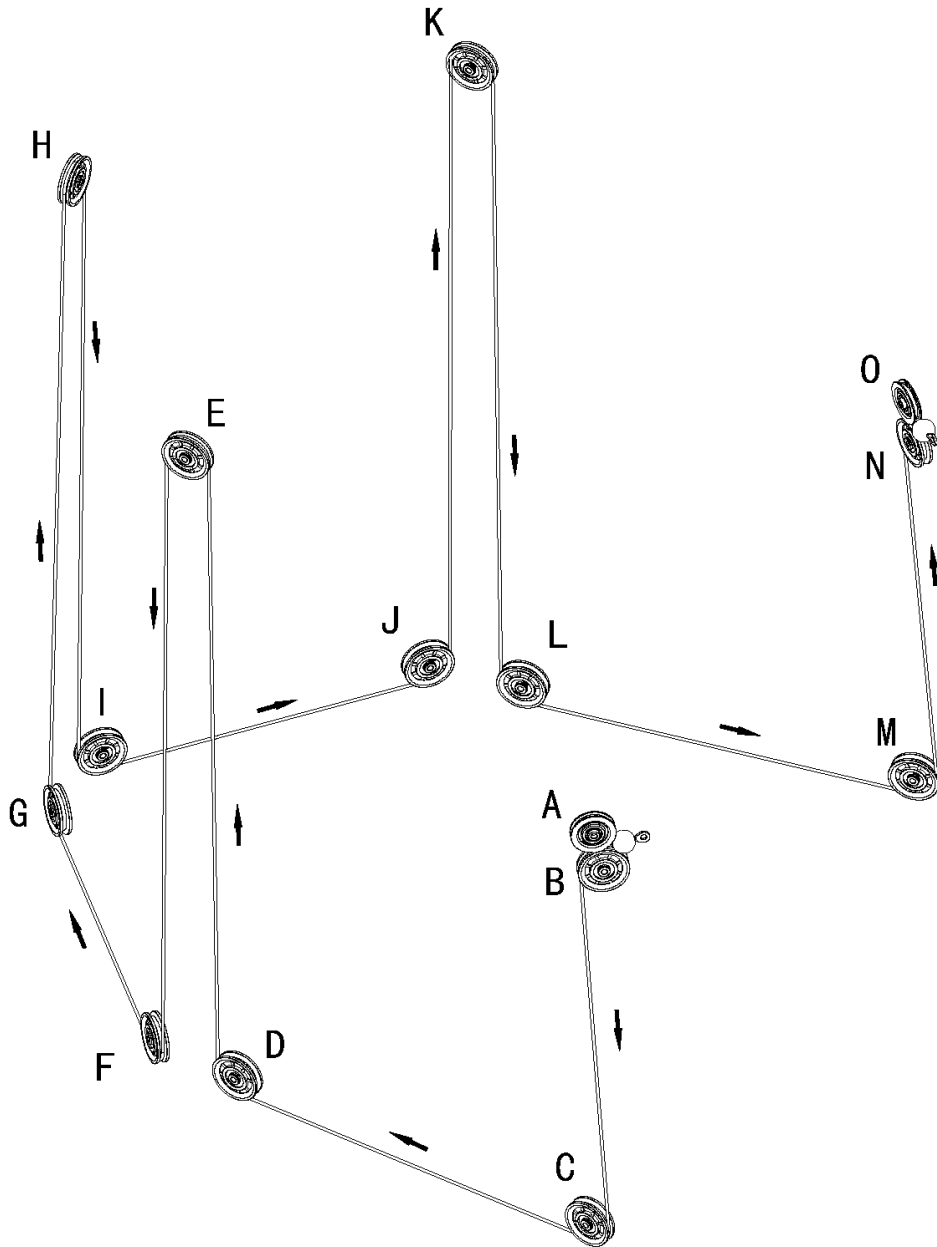
21 Continue assembly from last step

- | | | | | | | | |
|----|---|----|--------|----|---|---|-----|
| ⑥4 |  | 6 | M10×2" | ⑦3 |  | 6 | M10 |
| ⑥9 |  | 12 | Ø 3/4" | | | | |

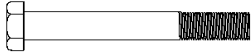
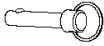

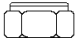


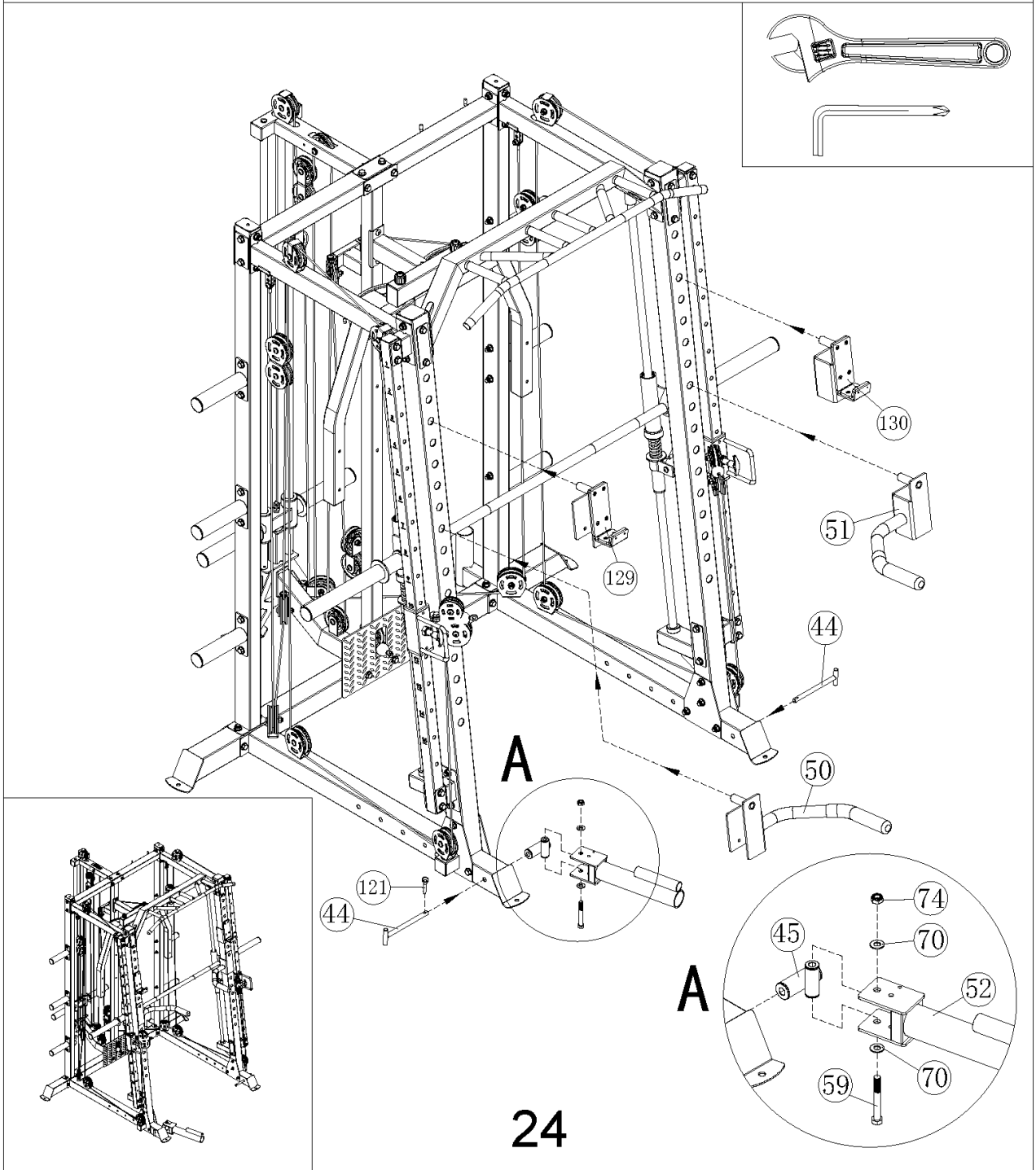
22

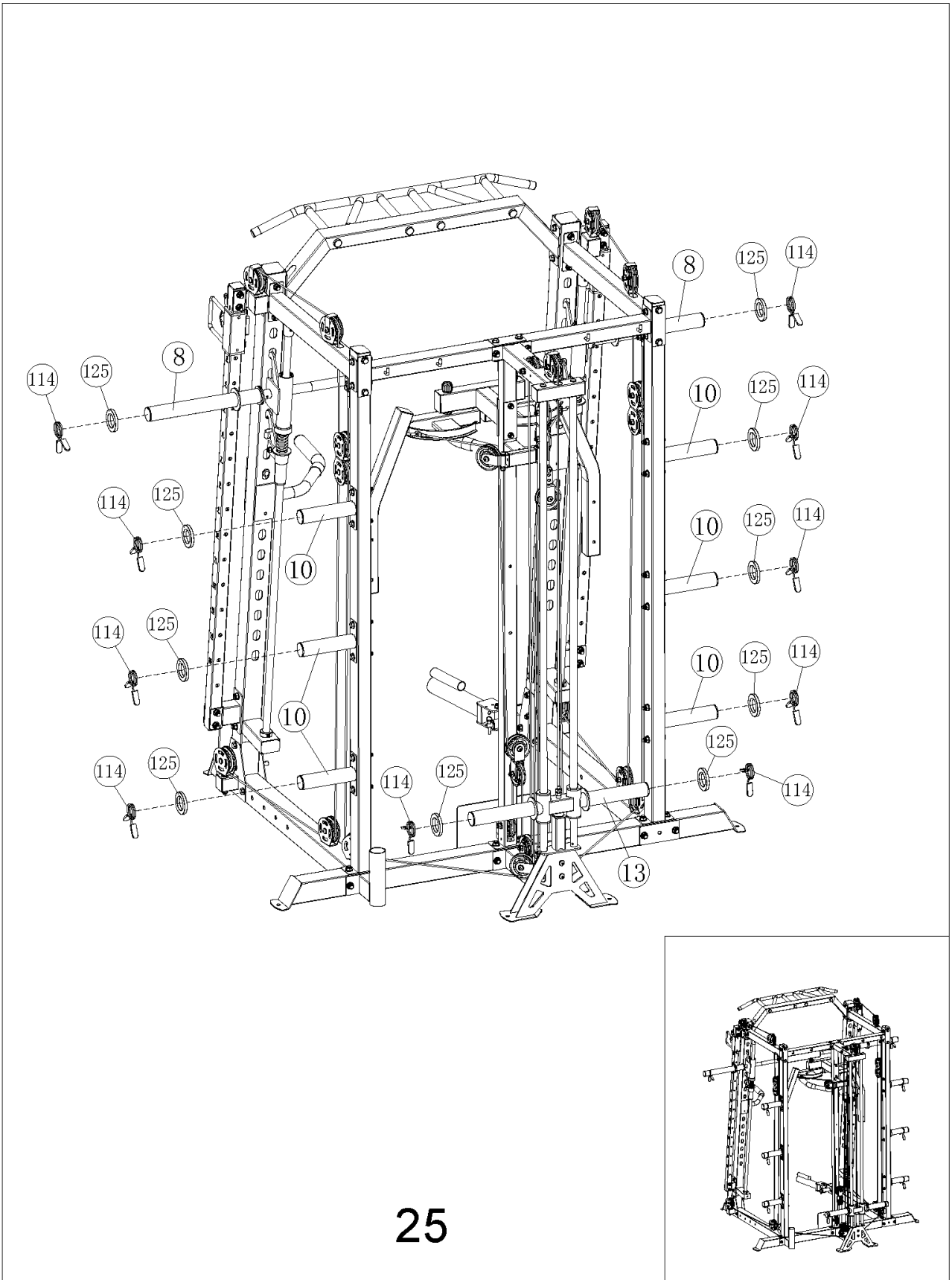
Cross Cable Routing Diagram



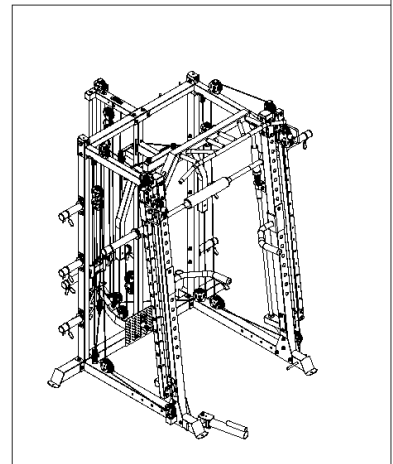
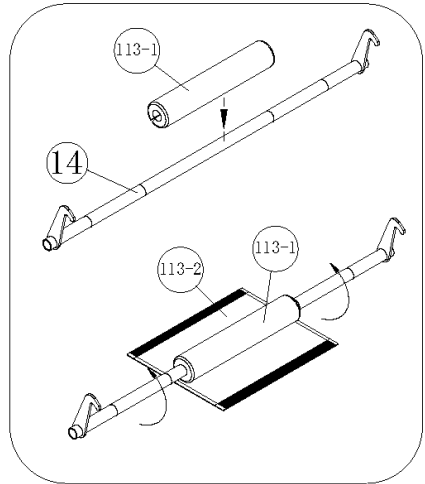
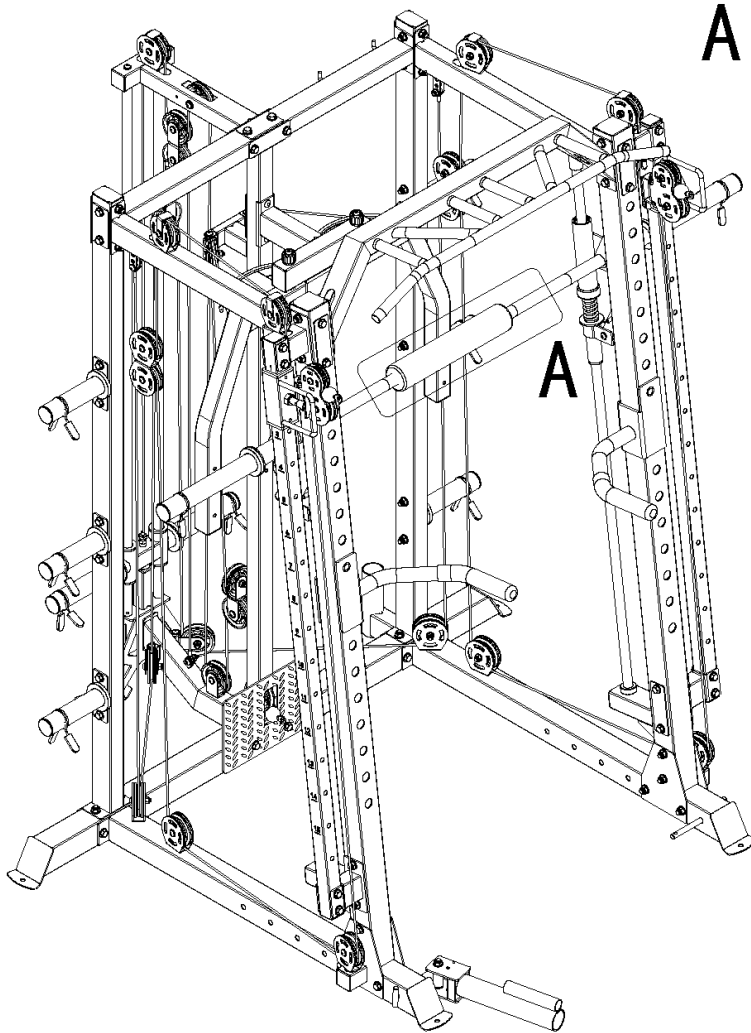
23

- | | | | | | | |
|----|---|---|----------|----|---|---|
| ⑤9 |  | 1 | M12 × 3" | ⑫1 |  | 1 |
| ⑦0 |  | 2 | Ø 1" | | | |
| ⑦4 |  | 1 | M12 | | | |





25



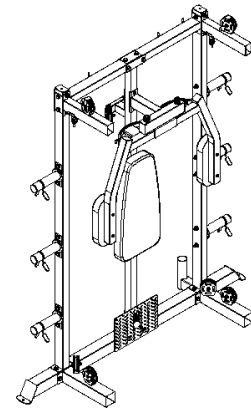
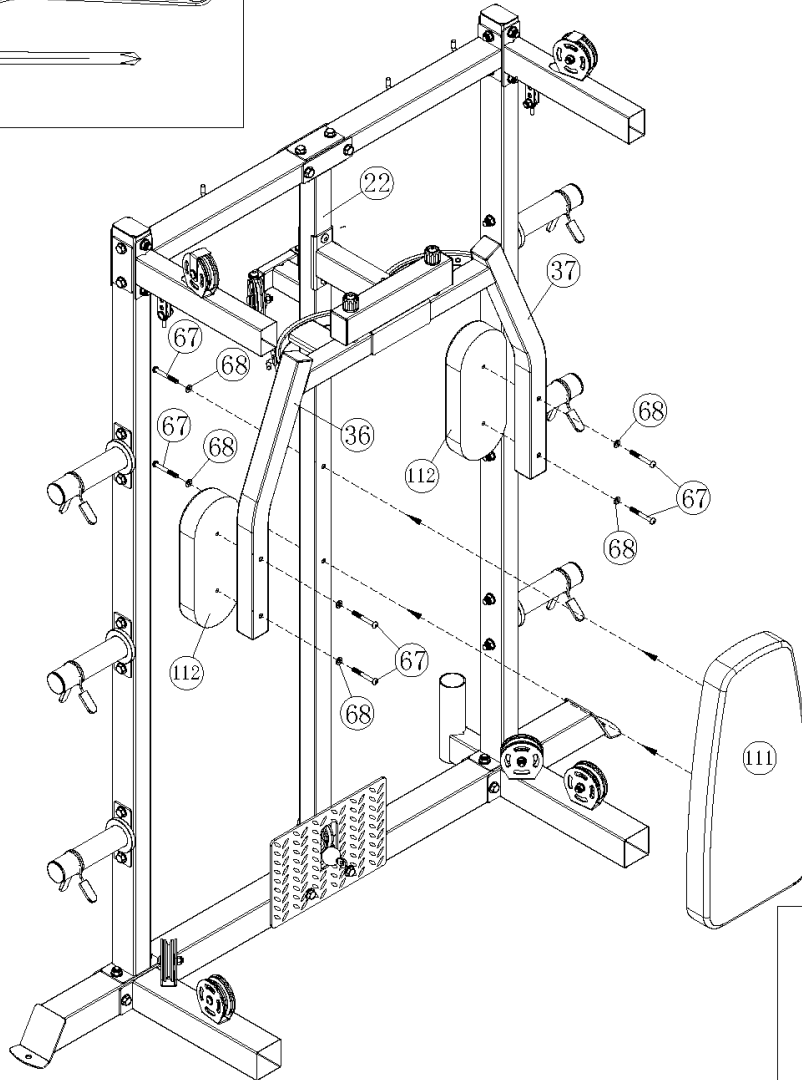
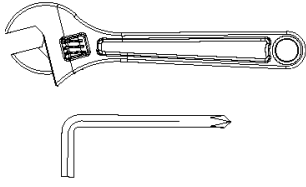
26

⑥7  6 M8×2 1/2"

⑥8  6 $\varnothing \frac{5}{8}$ "



5# Allen Wrench (Tool)



27

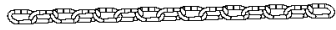
117



4

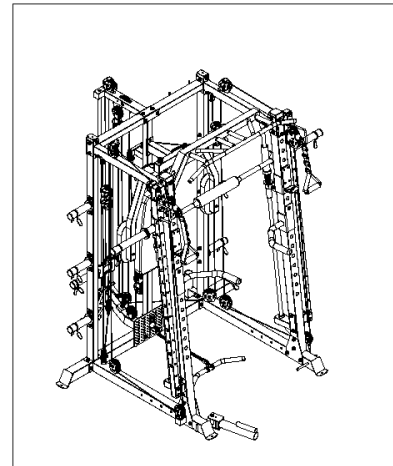
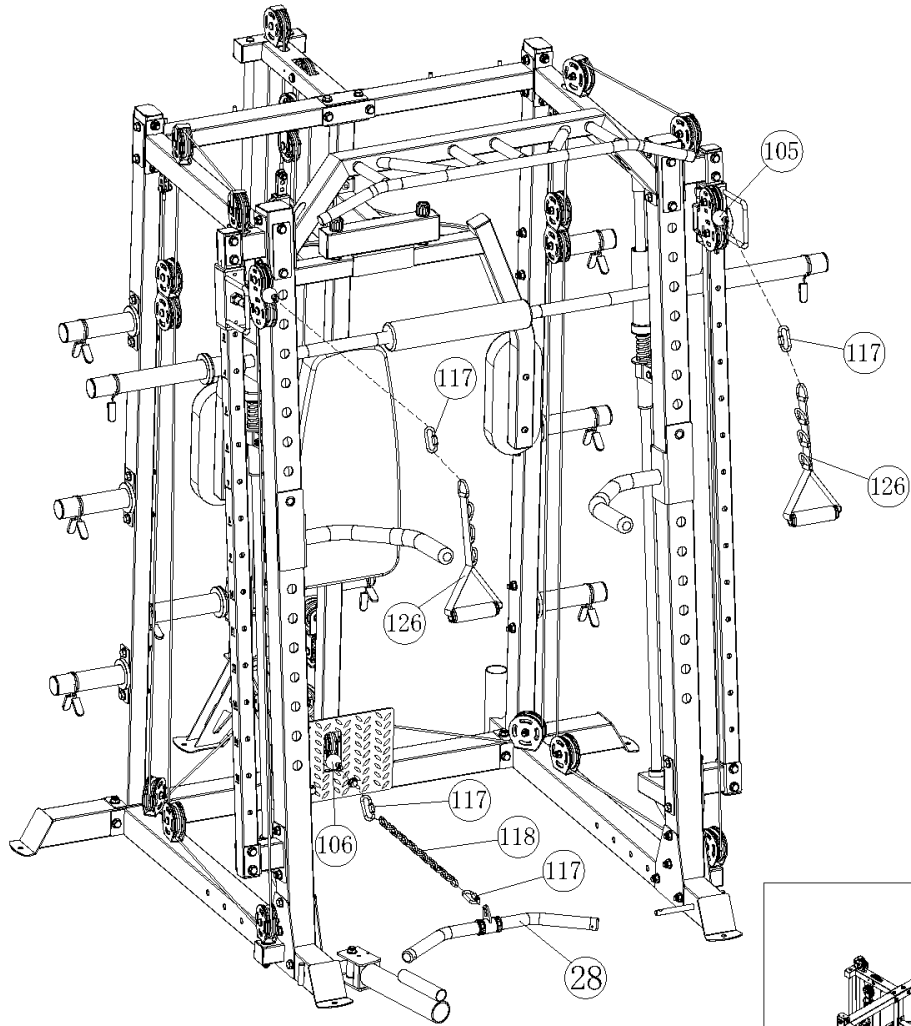
C hooks

118



1

Chain



28

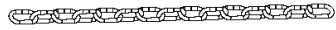
117



2

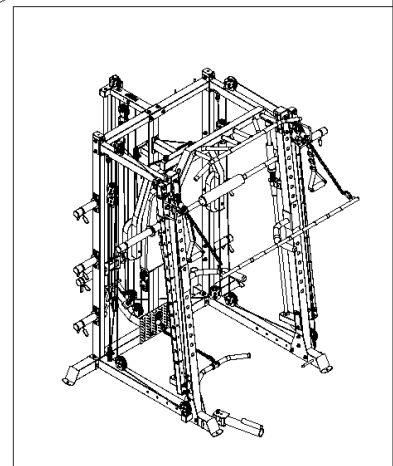
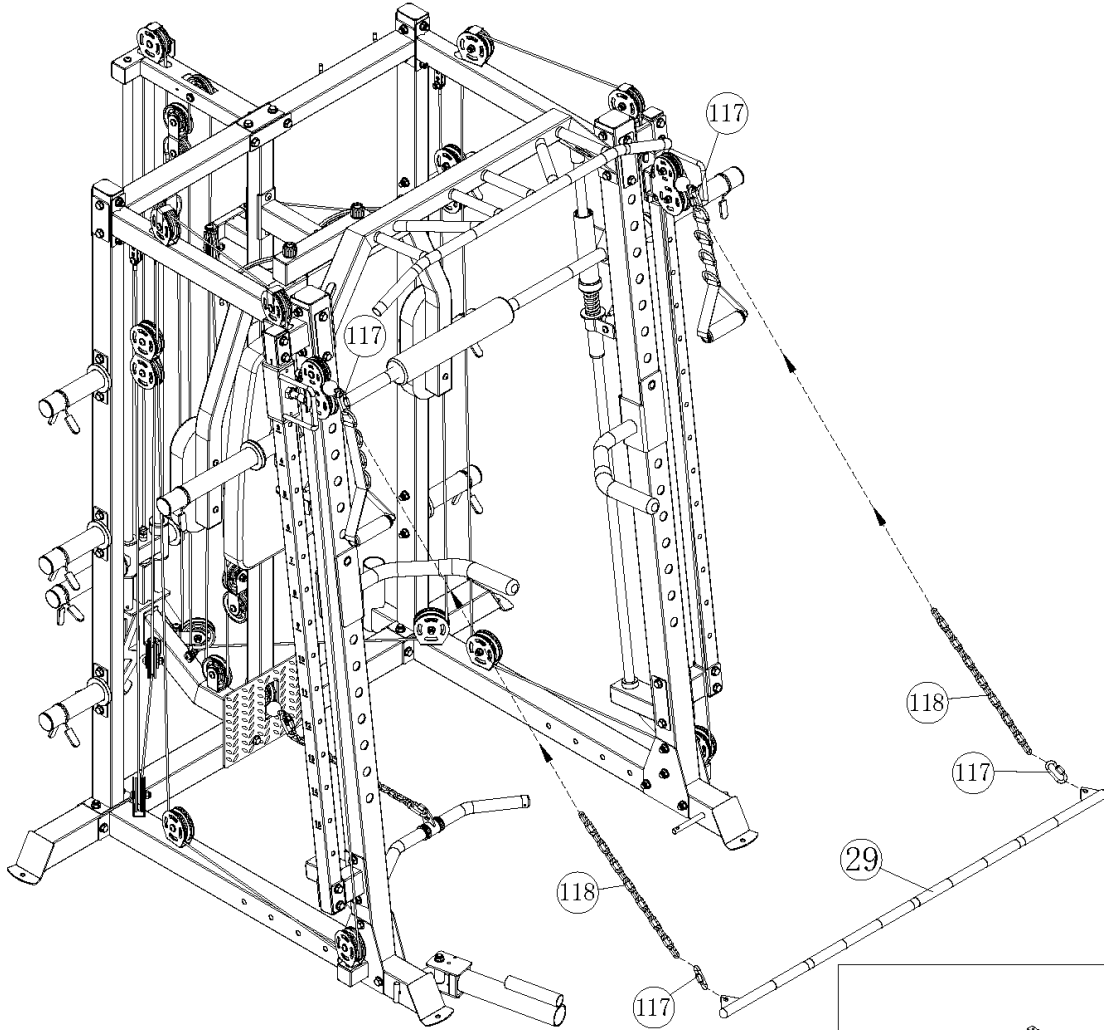
C hooks

118

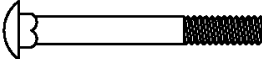
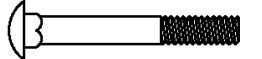




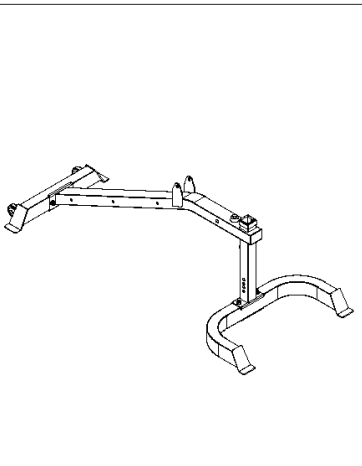
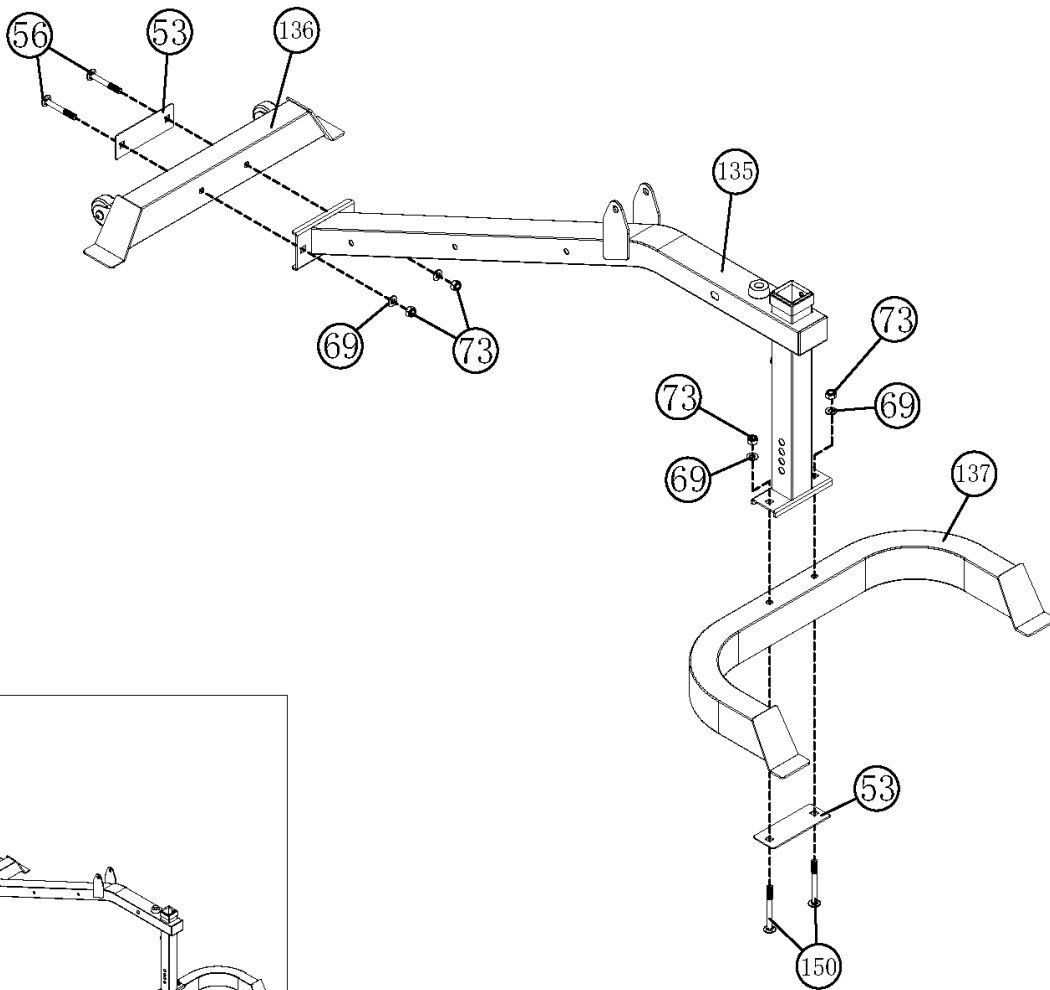
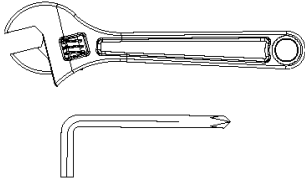
1

Chain

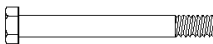




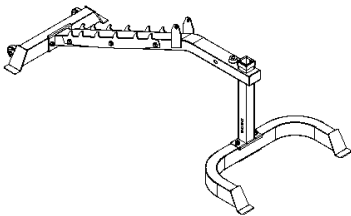
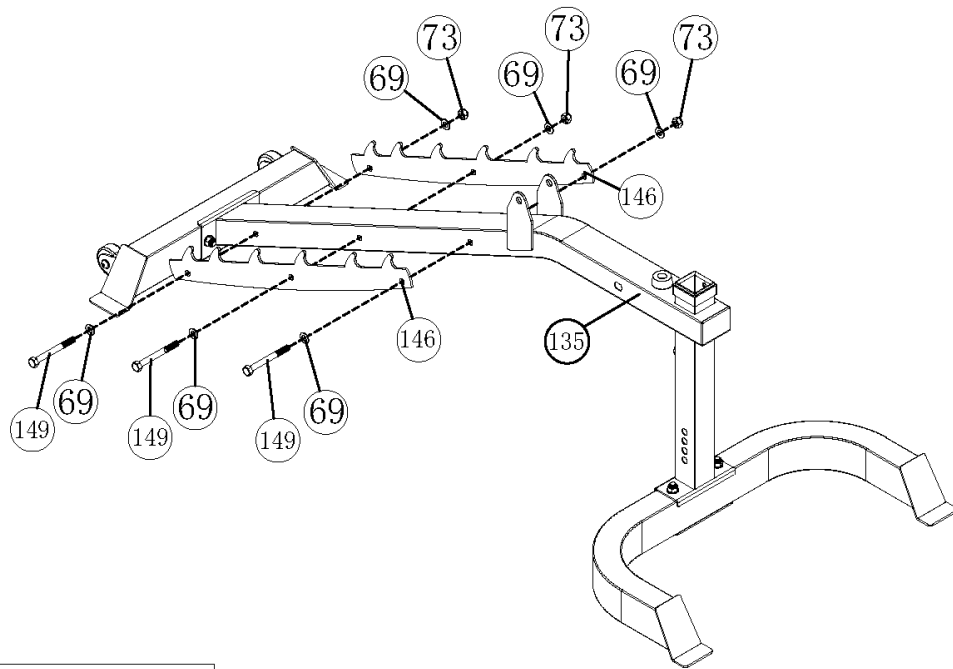
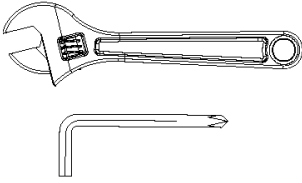
29

- (150)  2 M10×3 1/2"
 (56)  2 M10×2 3/4"
- (69)  4 Ø 3/4"
 (73)  4 M10

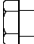




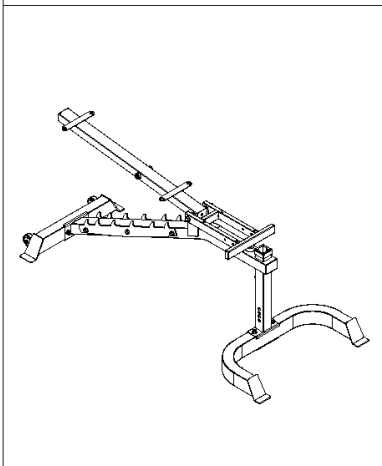
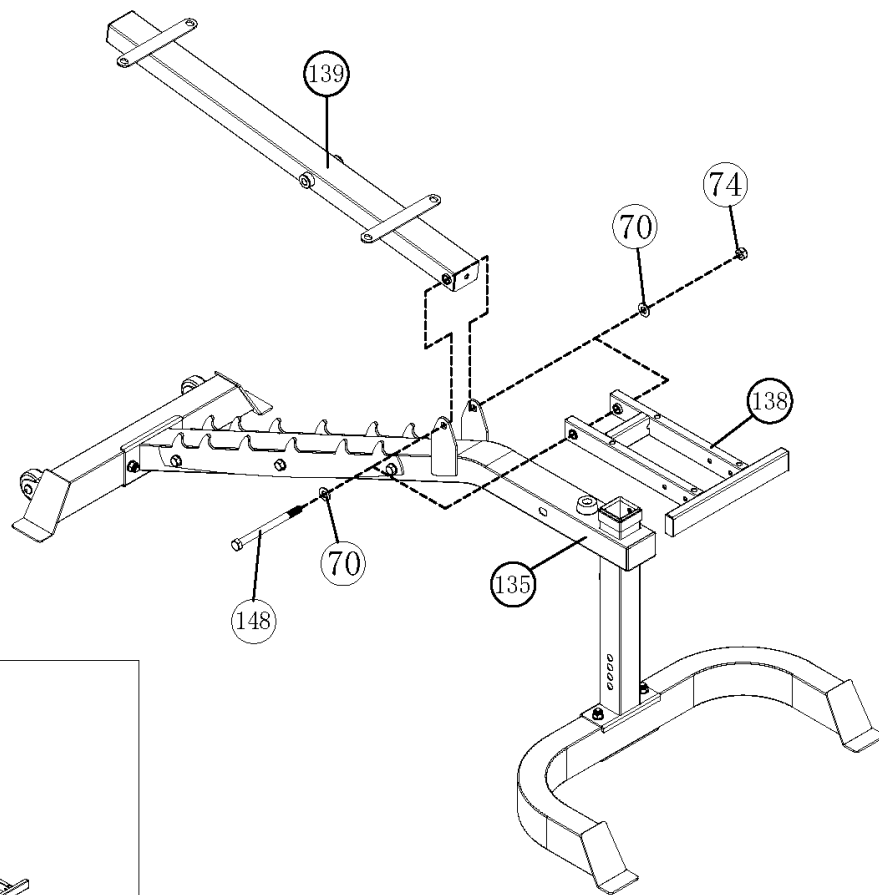
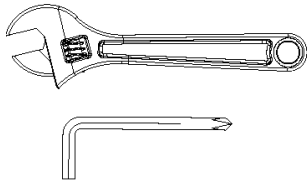
30

149		3	M10 × 3 $\frac{3}{4}$ "
69		6	Ø $\frac{3}{4}$ "
73		3	M10

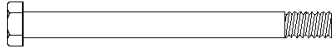


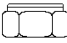


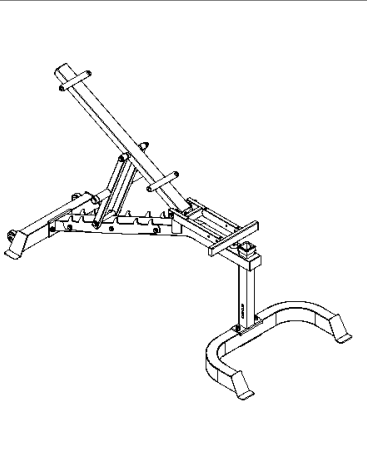
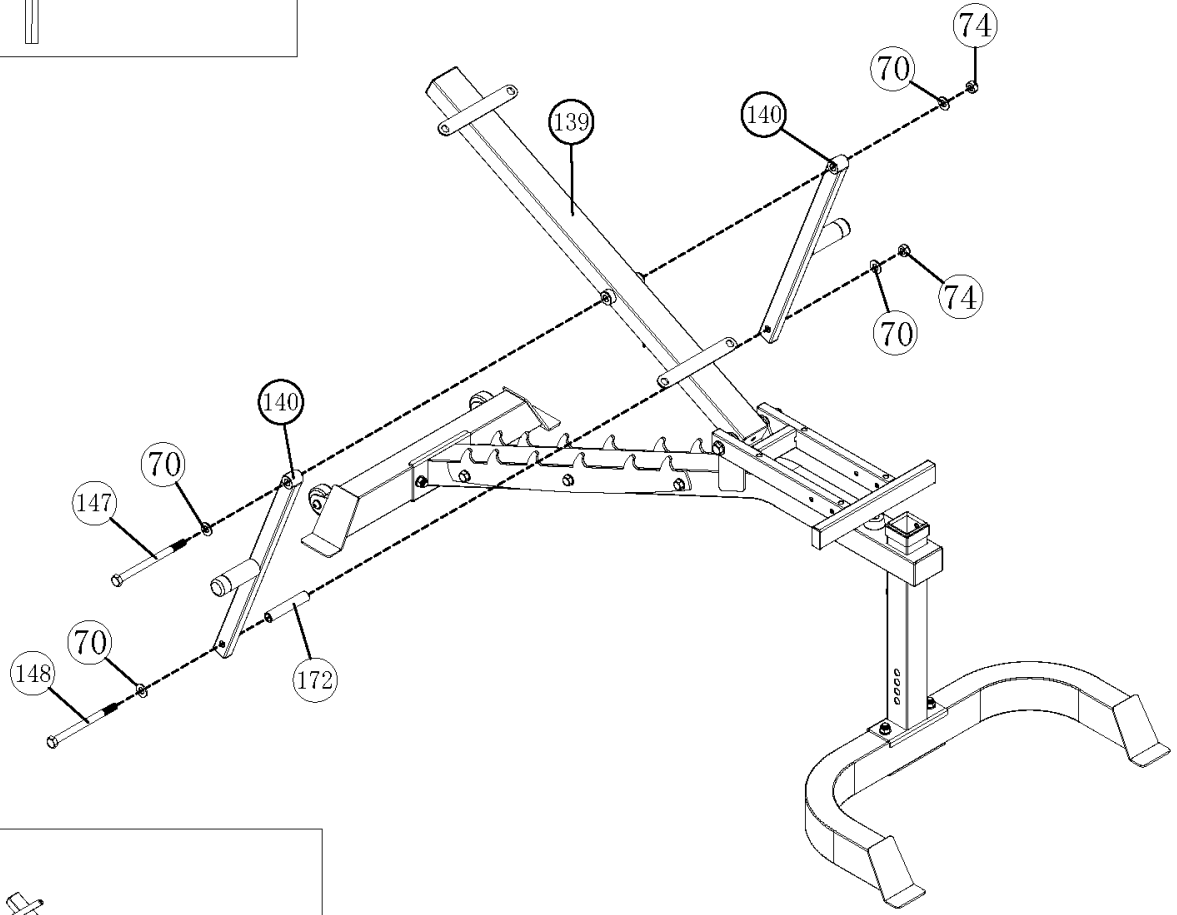
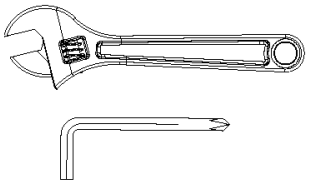
31

148		1	M12 × 6"
70		2	Ø 1"
74		1	M12

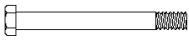



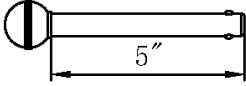


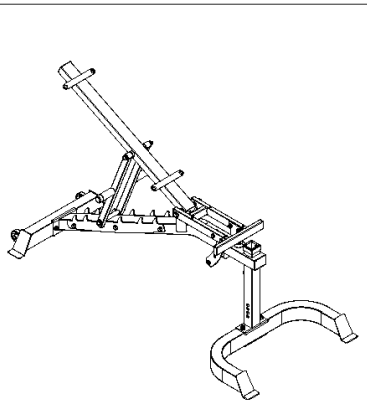
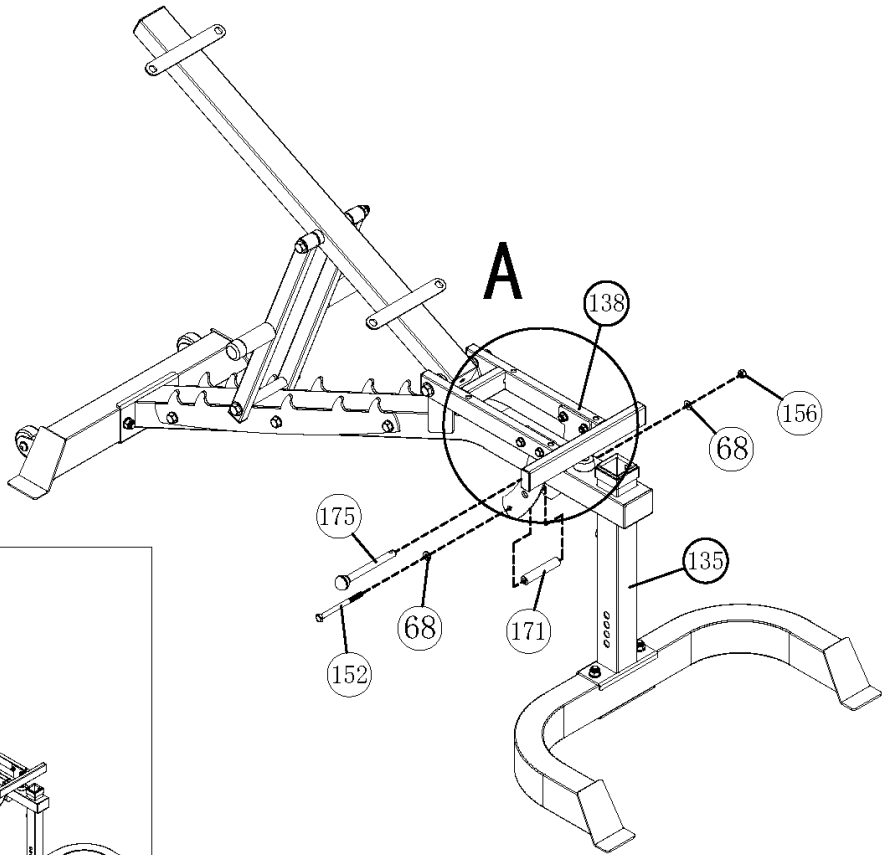
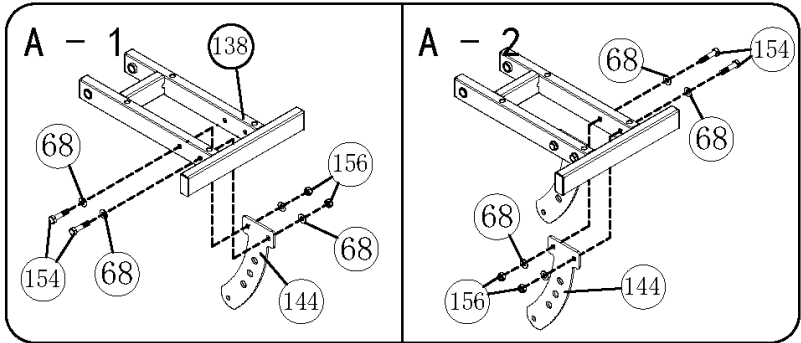
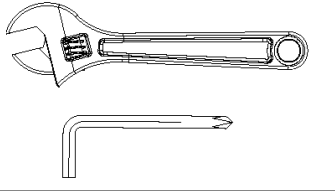
32

147		1	M12 × 6 1/4"				
148		1	M12 × 6"				
70		4	Ø 1"	74		2	M12



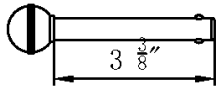
33

- | | | | | | | | |
|-----|---|----|------------------------|-----|---|---|------------------------|
| 152 |  | 1 | M8 × 4" | 154 |  | 4 | M8 × 1 $\frac{3}{8}$ " |
| 68 |  | 10 | Ø $\frac{5}{8}$ " | 156 |  | 5 | M8 |
| 175 |  | 1 | Ø $\frac{1}{2}$ " × 5" | | | | |

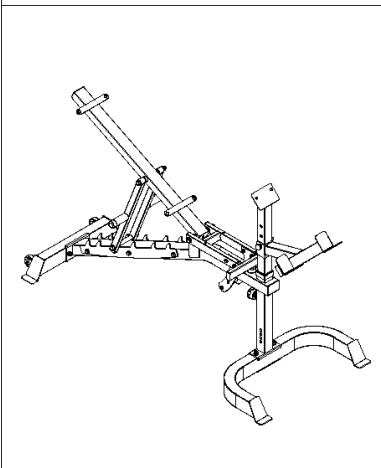
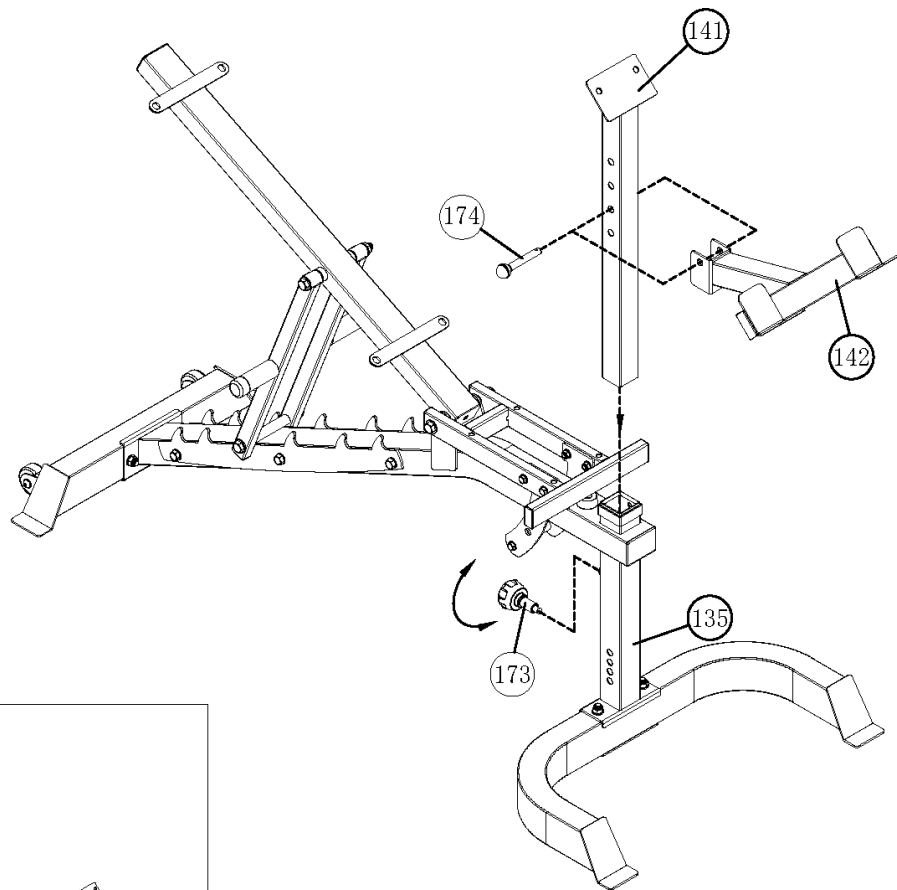


34

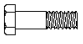
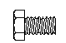

174

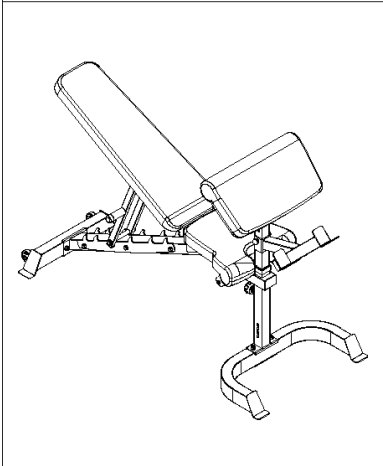
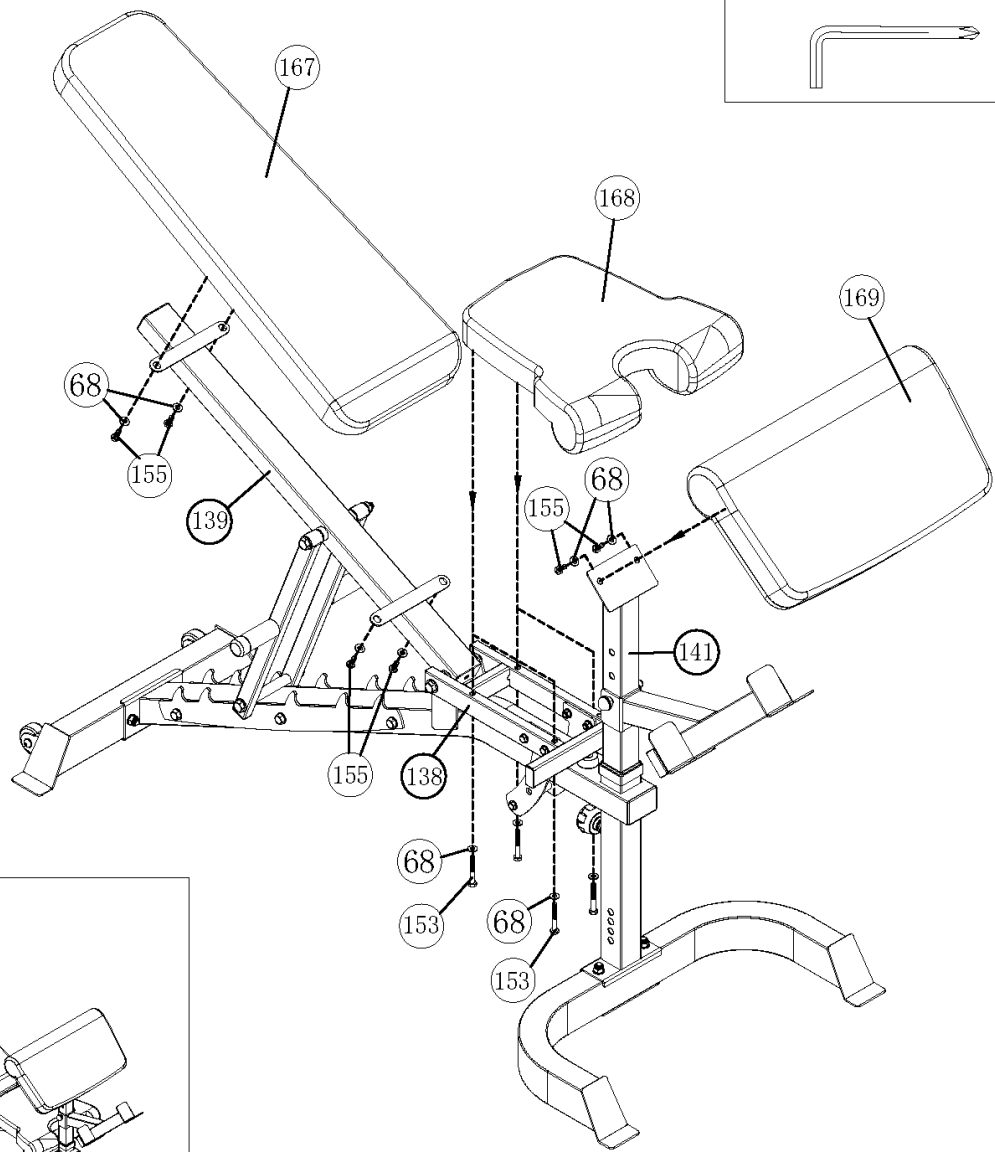
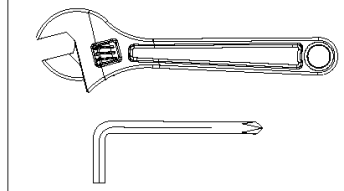


1 $\varnothing \frac{1}{2}'' \times 3 \frac{7}{8}''$



35

153		4	M8 × 2 1/8"
155		6	M8 × 3/4"
68		10	Ø 5/8"



36

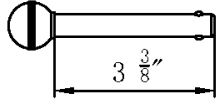
157



2

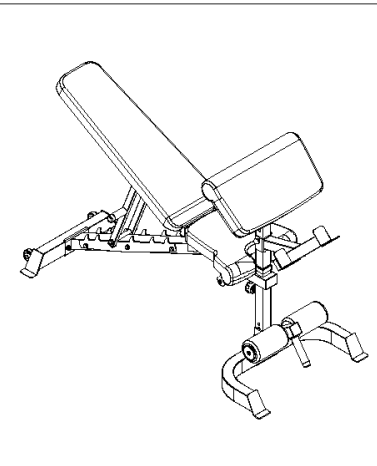
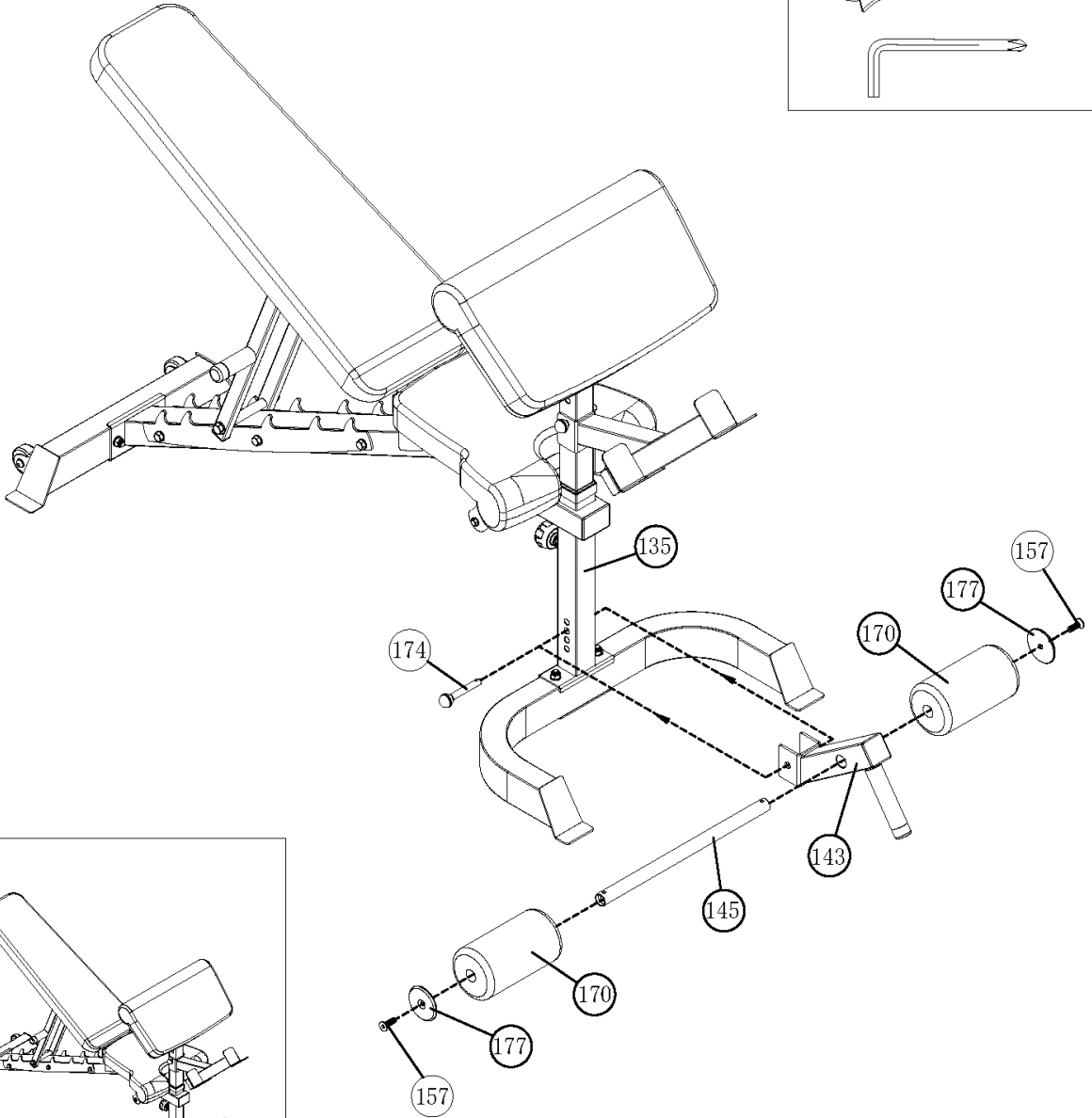
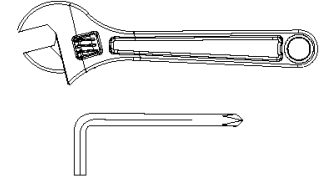
M10 × 1 1/8"

174



1

Ø 1/2" × 3 3/8"



37

IMPEX® INC.

2801 S. Towne Ave. Pomona, CA 91766

Tel: (800) 999-8899

www.marcypro.com

support@impex-fitness.com