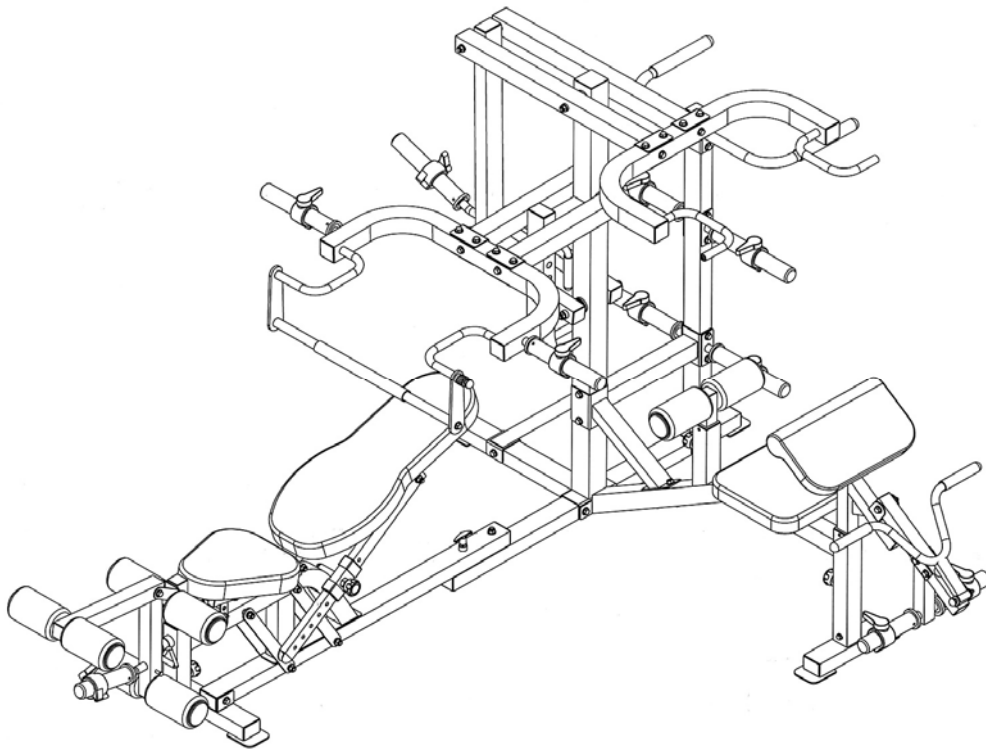


# MP EX

F I T N E S S P R O D U C T S

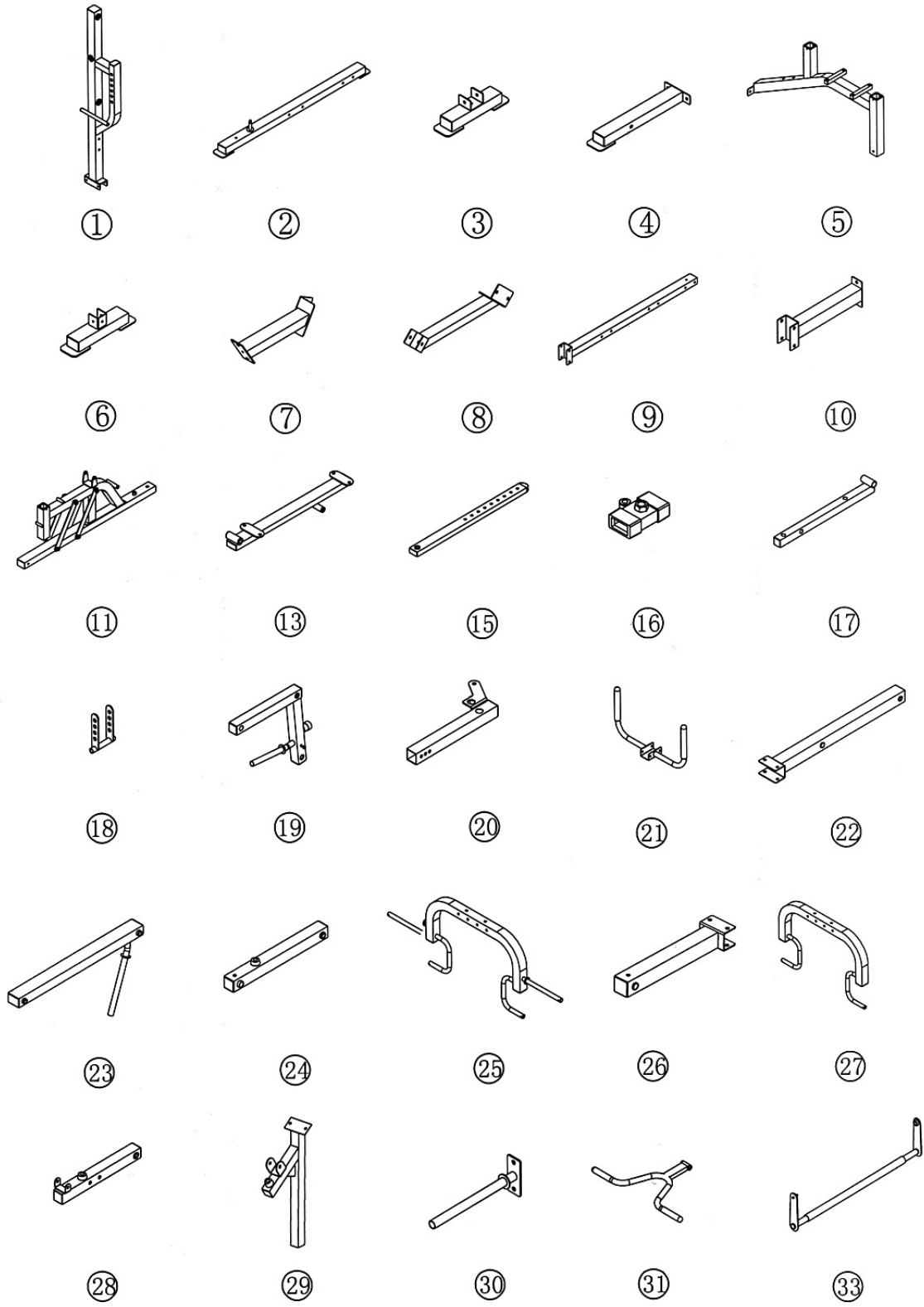
## MARCY PRO Multi Station GYM PM-4500

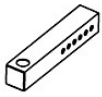


**IMPORTANT:** Please read the Important Assembly Information in the Owner's manual before assembling this product.

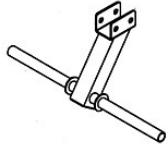
**Assembly Manual**

110922





34



35



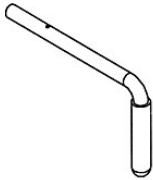
36



41



42



43



44



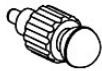
48



49



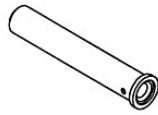
50



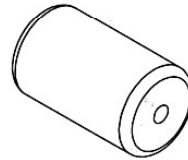
51



89



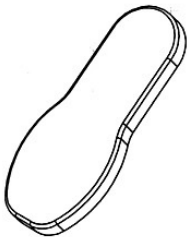
90



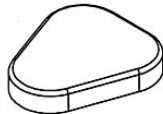
97



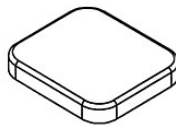
99



100



101

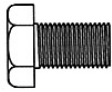


102

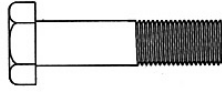


103

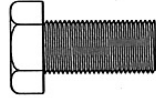
52



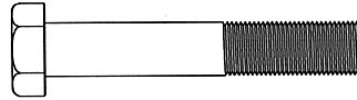
54



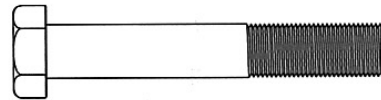
55



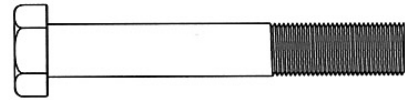
56



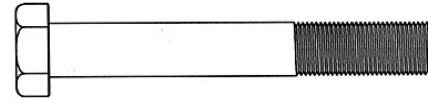
57



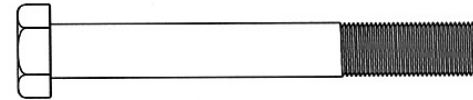
58



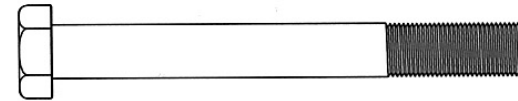
59



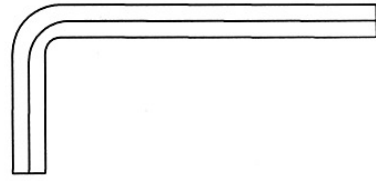
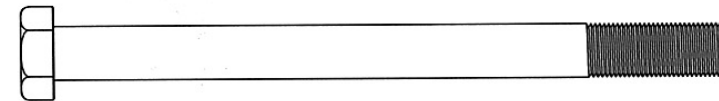
60



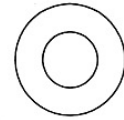
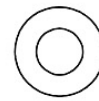
61



62



104



66

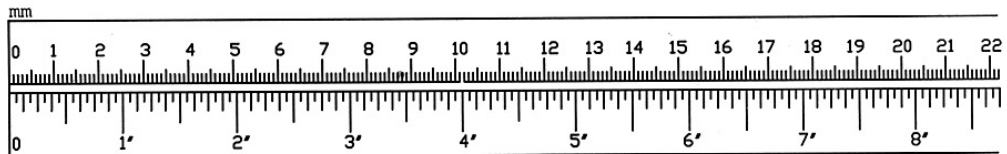
67



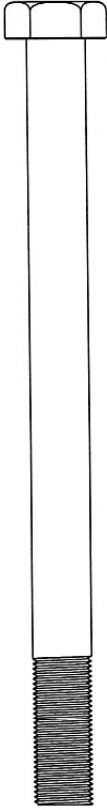
68



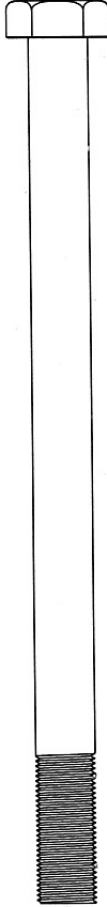
69



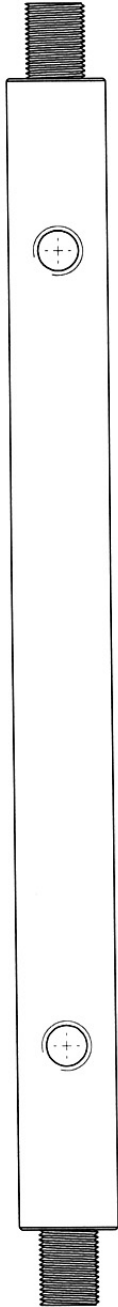
63



64



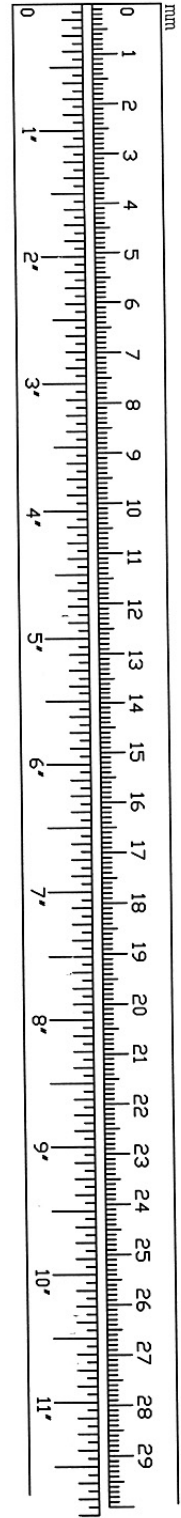
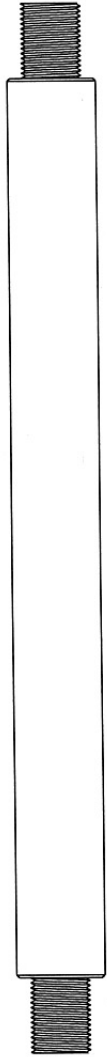
37



38

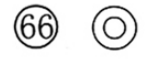


39

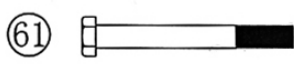




3 M10 x 5/8"



3 Ø 3/4"



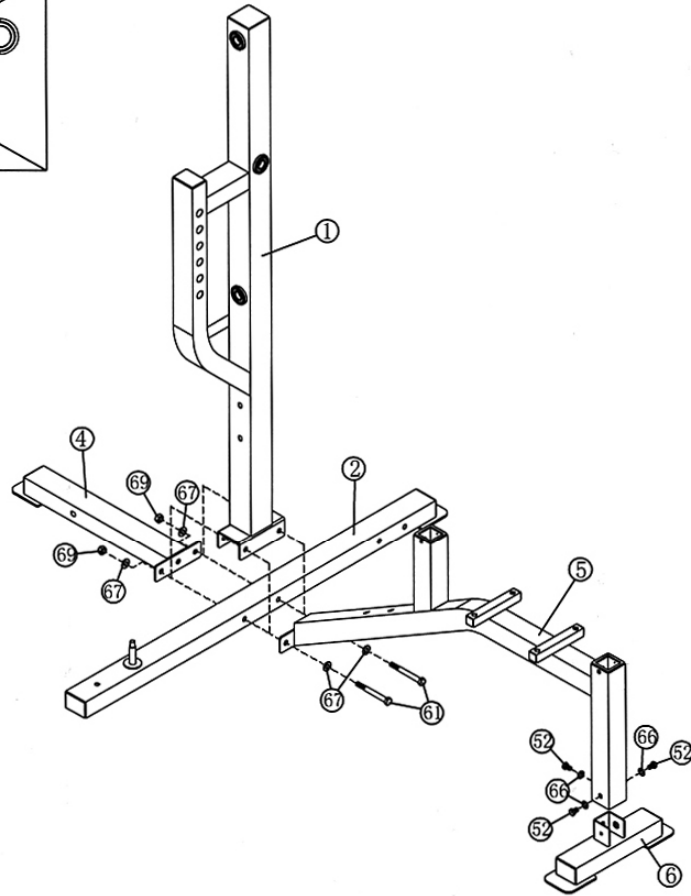
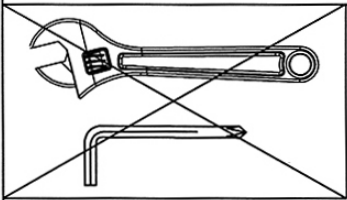
2 M12 x 4 1/8"



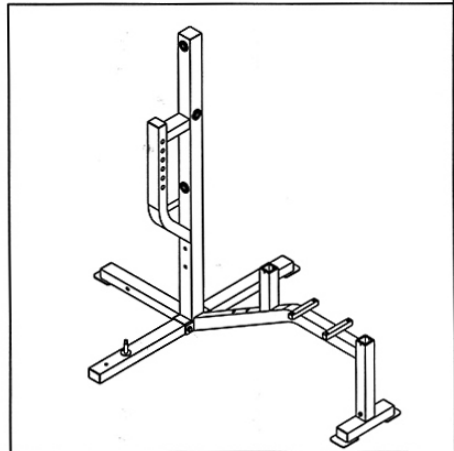
4 Ø 1"

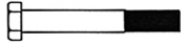

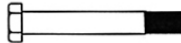

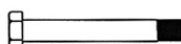


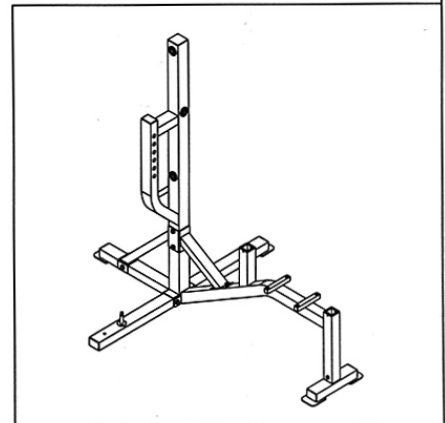
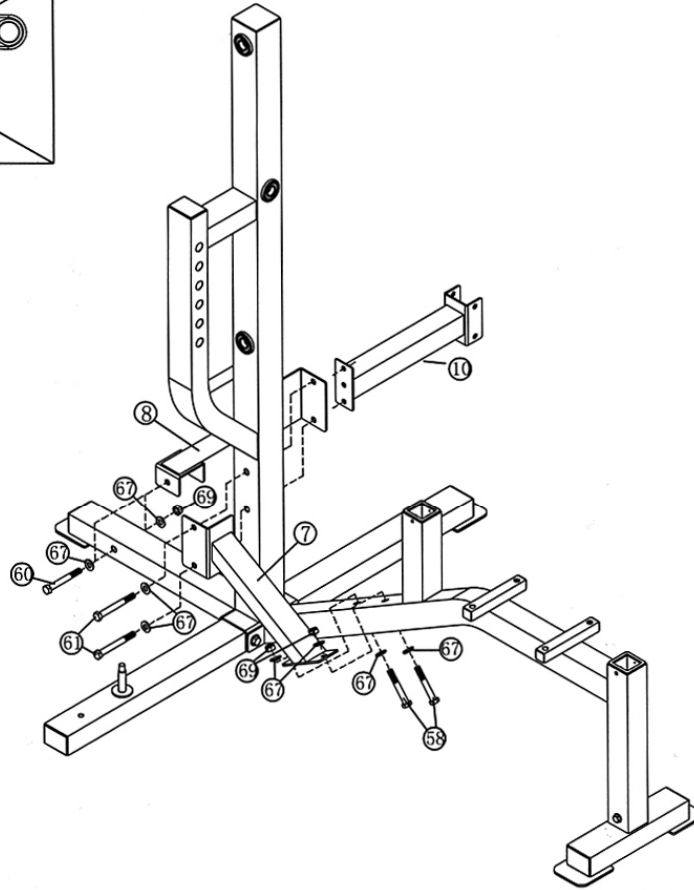
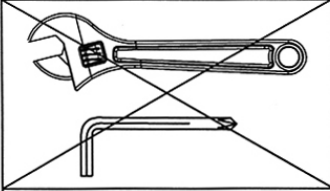
2 M12



1



⑤⑧		2	M12 x 3 1/8"	⑥⑦		8	Ø 1"
⑥⑩		1	M12 x 3 3/4"	⑥⑨		3	M12
⑥①		2	M12 x 4 1/8"				



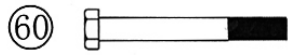
**2**



1 M12 x 1"



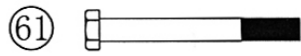
19 Ø 1"



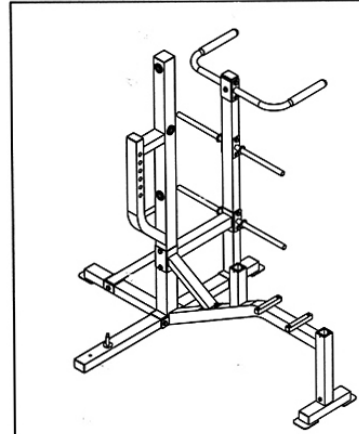
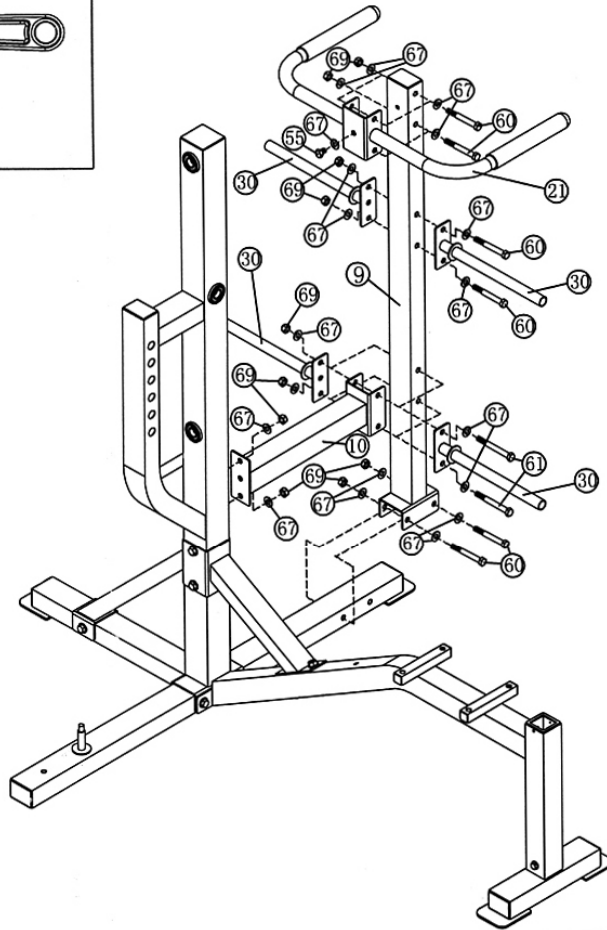
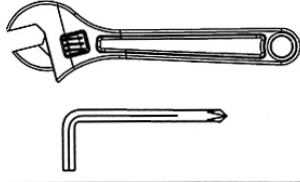
6 M12 x 3 3/4"



10 M12

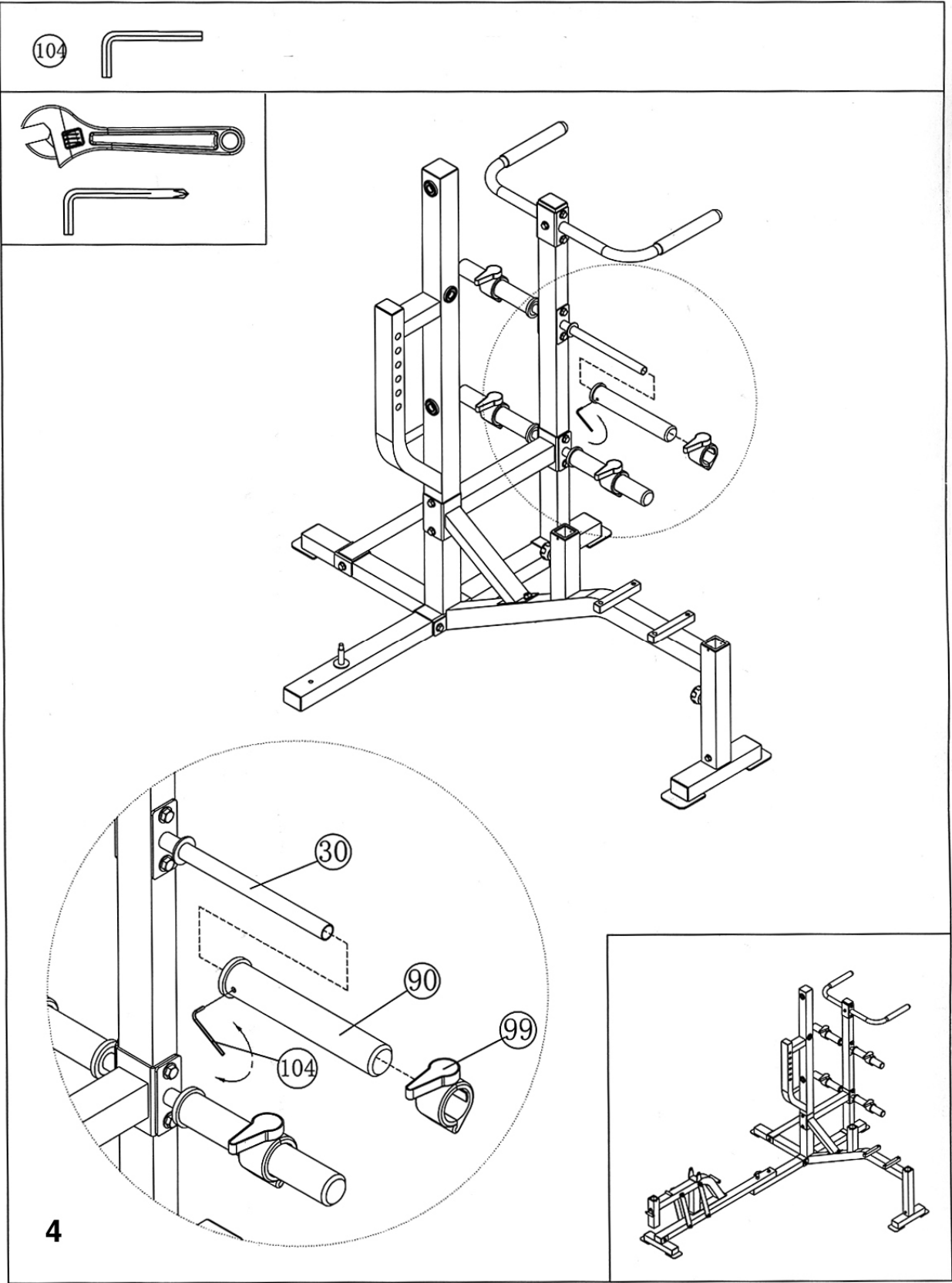


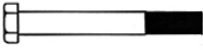


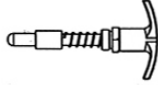



2 M12 x 4 1/8"

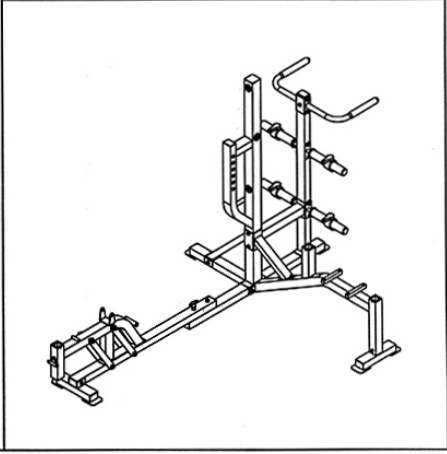
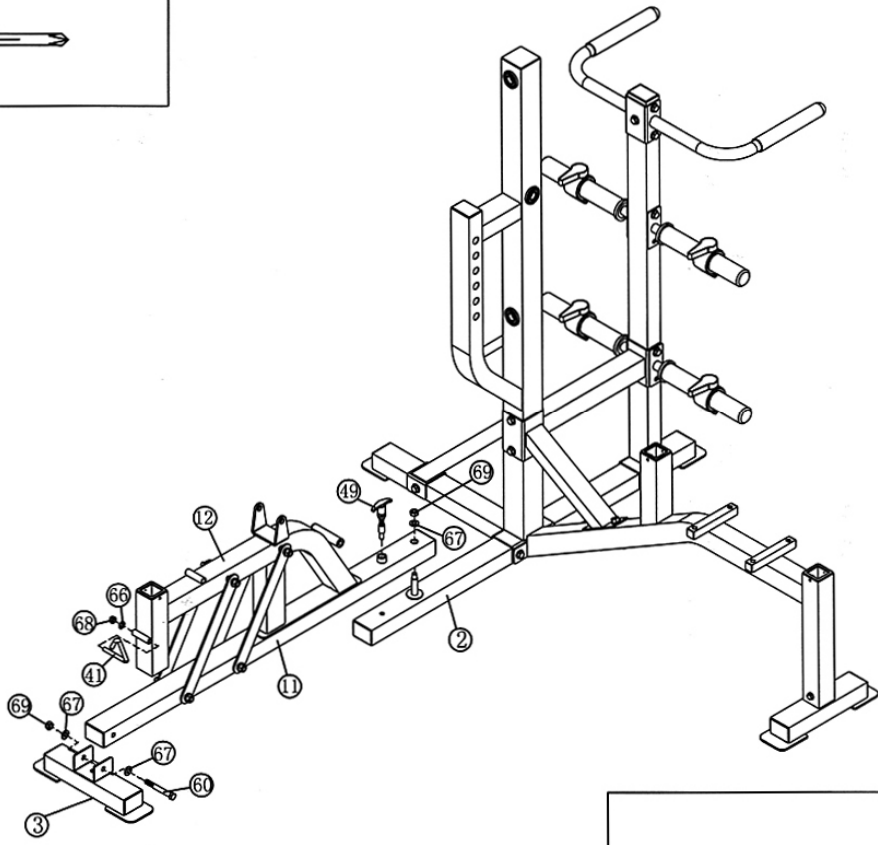
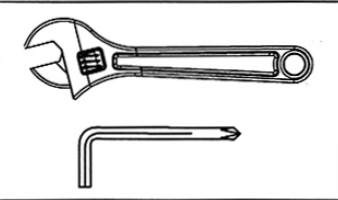


3

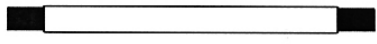
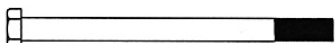

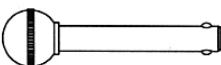



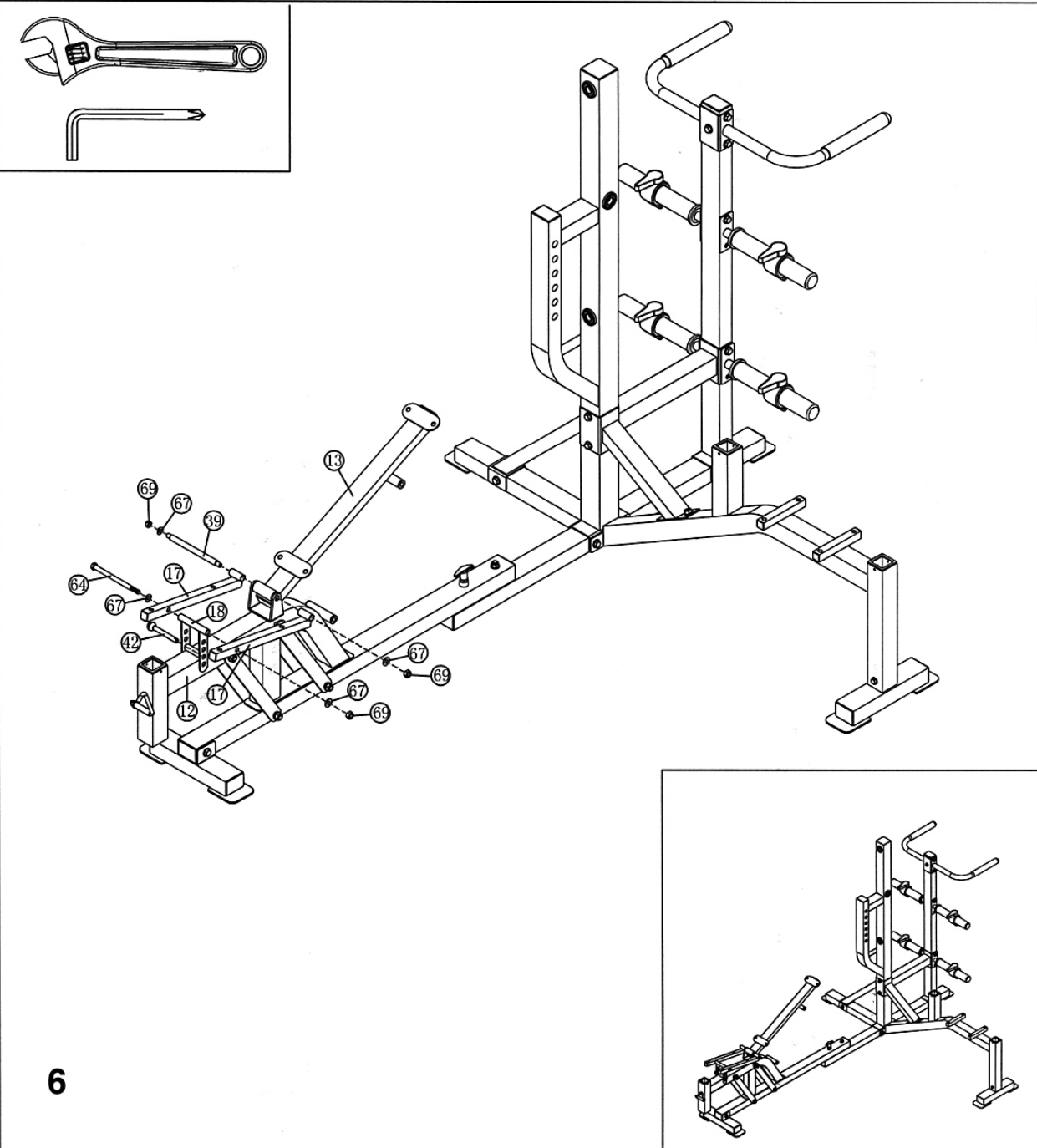
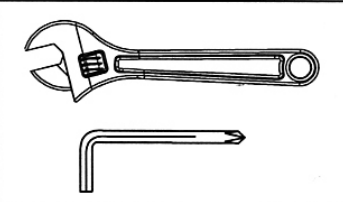


⑥0		1	M12 x 3 3/4"	⑥9		2	M12
⑥6		1	Ø 3/4"	④9		1	
⑥7		3	Ø 1"	④1		1	
⑥8		1	M10				

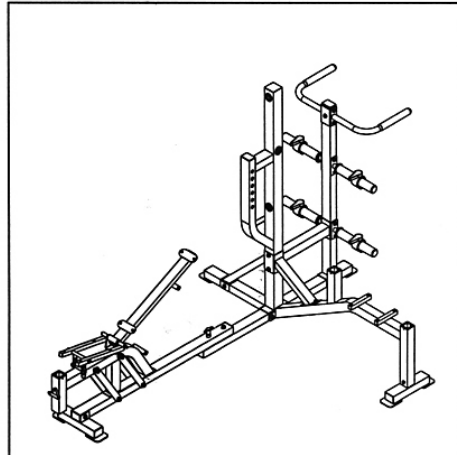


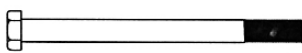
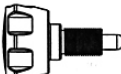
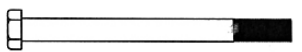


5

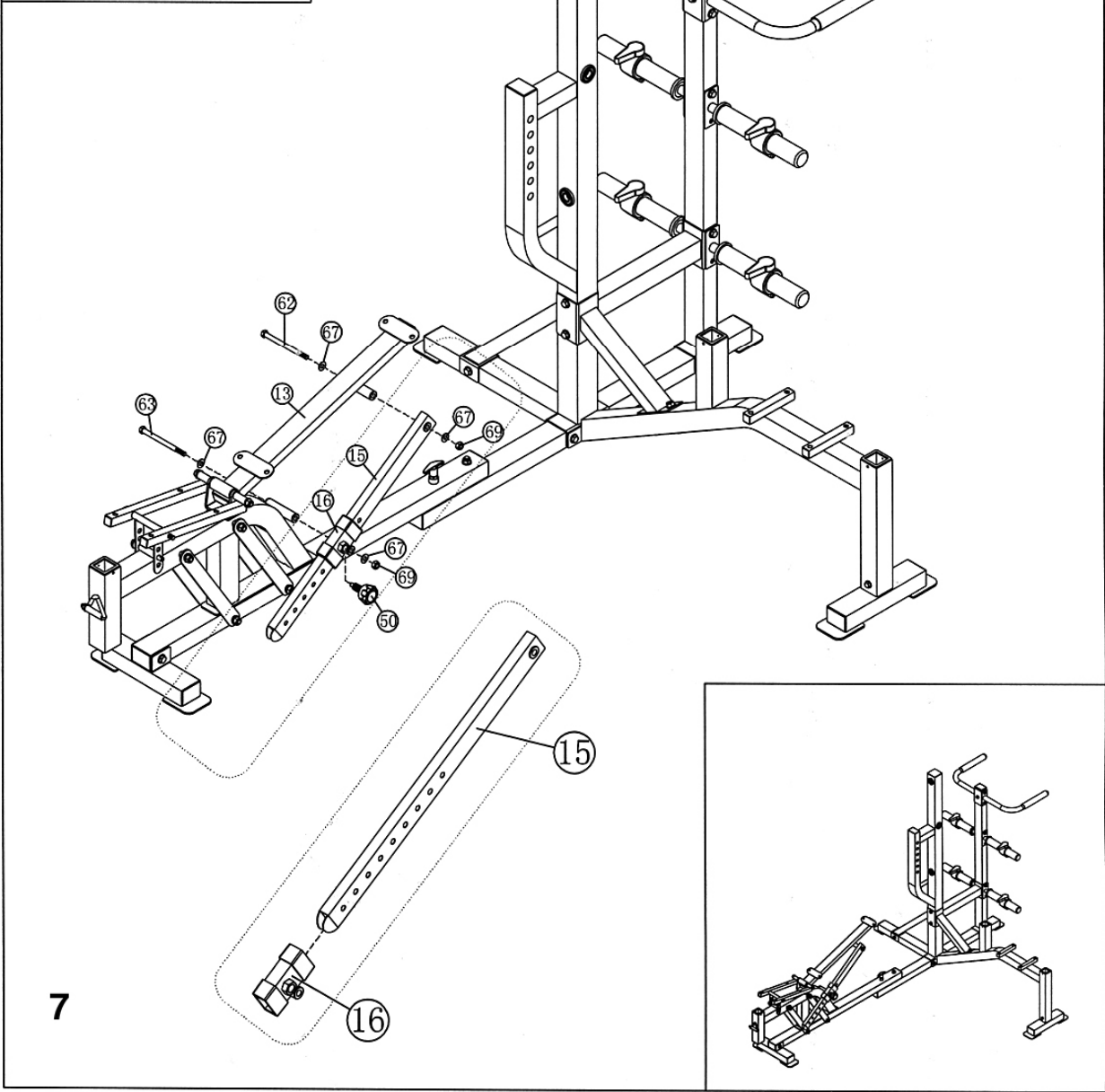
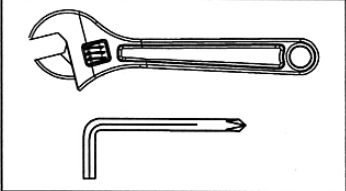
- ③⑨  1 M12 x Ø 5/8" x 8 1/4"
- ⑥④  1 M12 x 6 7/8"    ⑥⑨  3 M12
- ④②  1 Ø 1" x 4"    ⑥⑦  4 Ø 1"






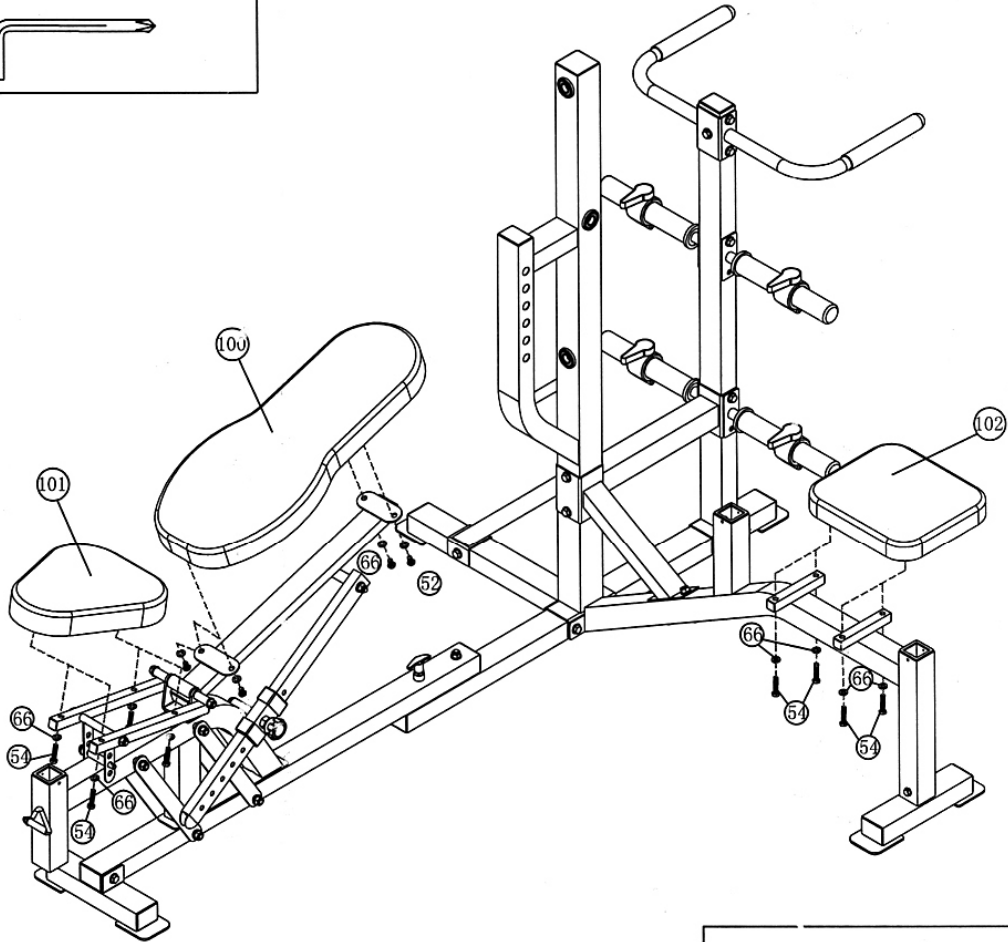
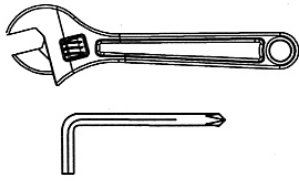
**6**



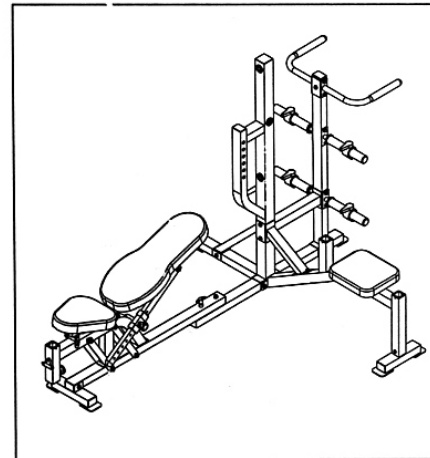
63		1	M12 x 6 1/8"	50		1
62		1	M12 x 6"	69		2 M12
67		4	Ø 1"			

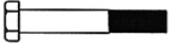

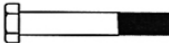

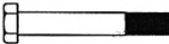

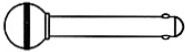


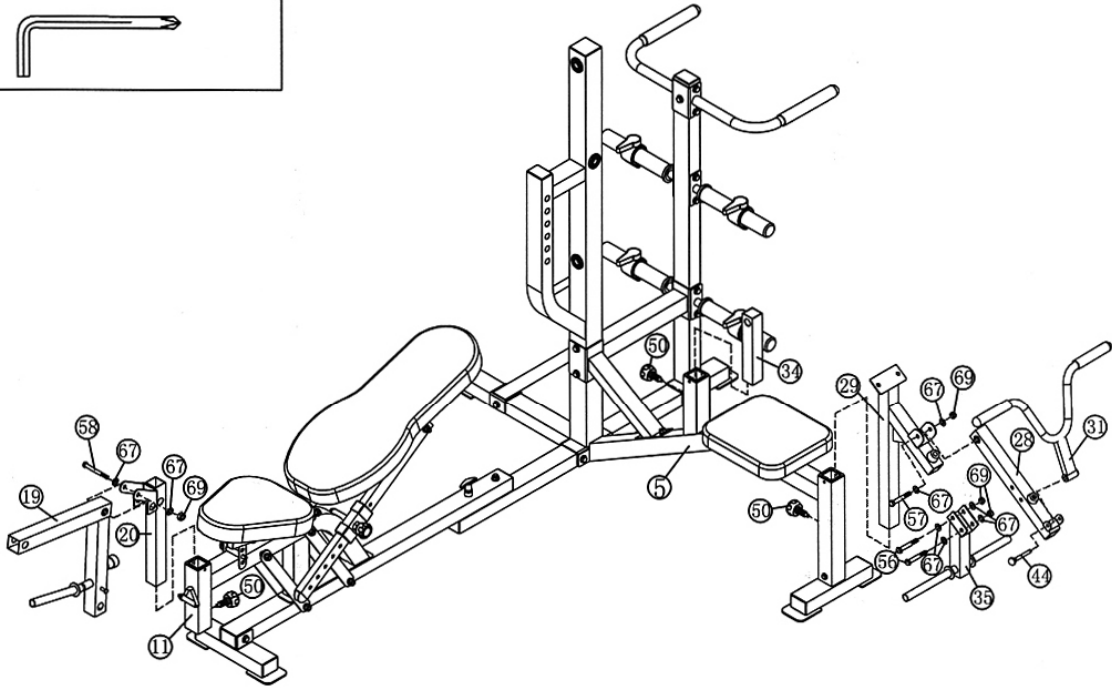
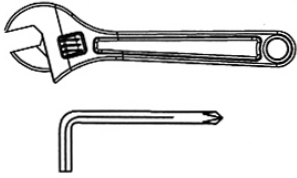
- |      |   |   |                         |      |  |    |                           |
|------|---|---|-------------------------|------|--|----|---------------------------|
| (52) |  | 4 | M10 x $\frac{5}{8}$ "   | (66) |  | 12 | $\emptyset \frac{3}{4}$ " |
| (54) |  | 8 | M10 x 1 $\frac{5}{8}$ " |      |  |    |                           |



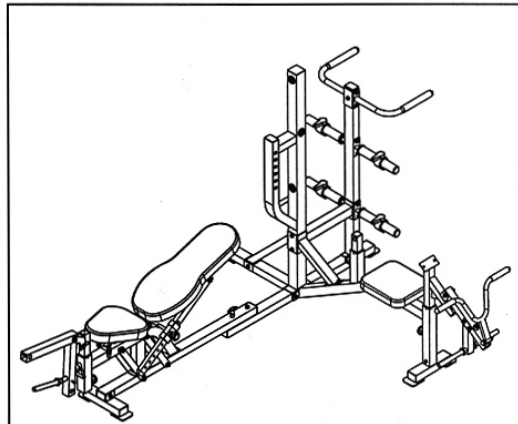
8

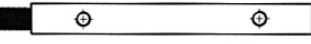

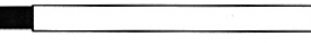





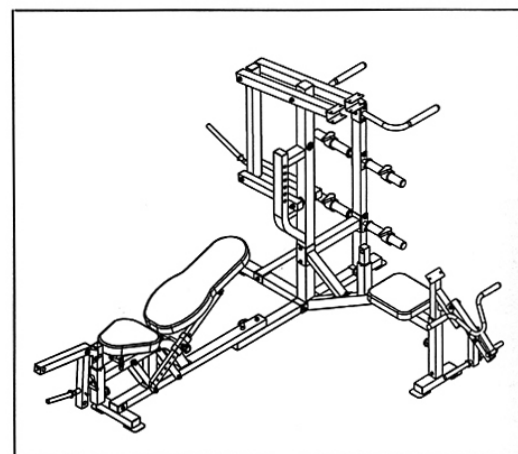
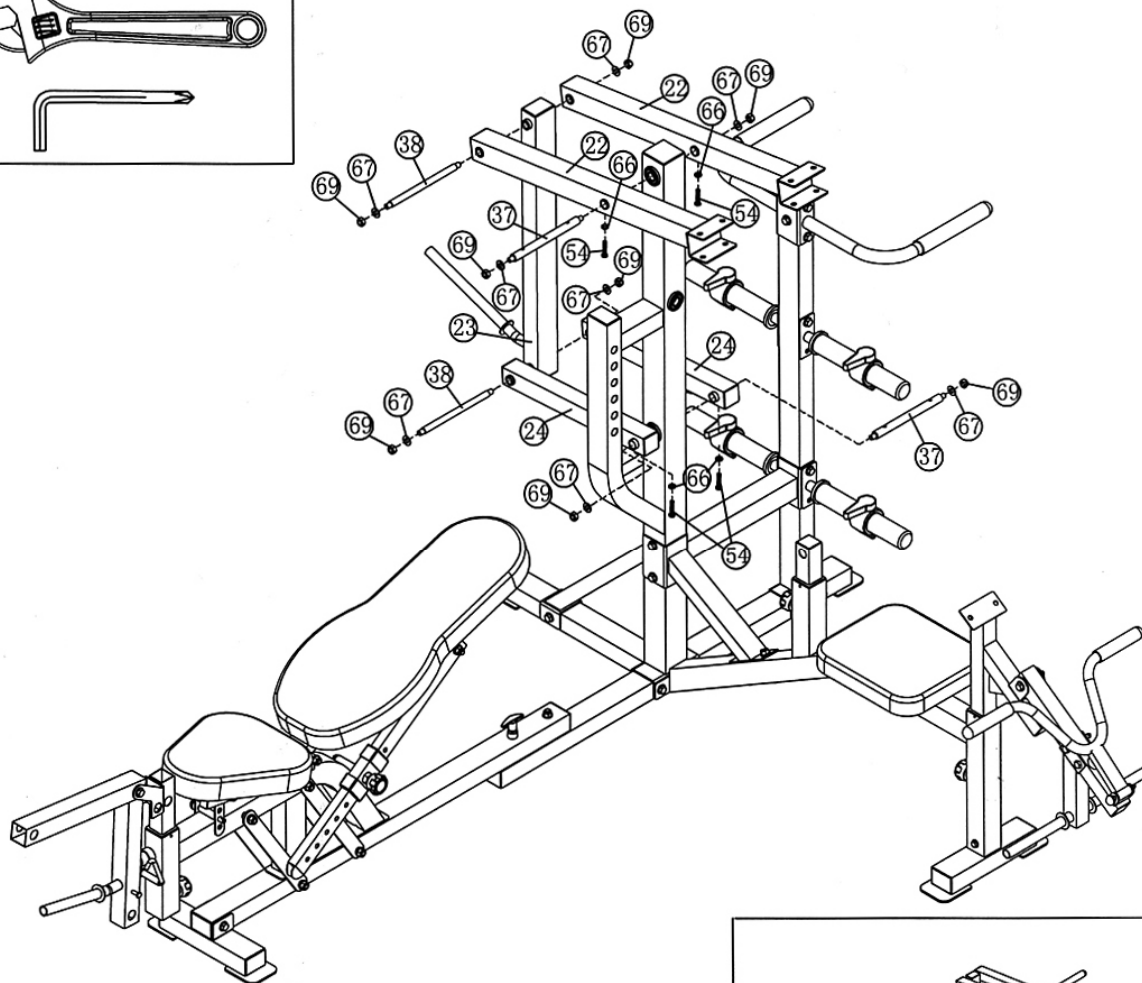
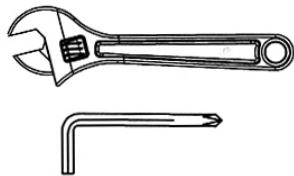
56		2	M12 x 2 $\frac{3}{4}$ "	67		8	Ø 1"
57		1	M12 x 3"	69		4	M12
58		1	M12 x 3 $\frac{1}{8}$ "	50		3	
44		1	Ø $\frac{3}{4}$ " x 3 $\frac{3}{8}$ "				



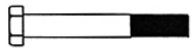

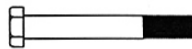

9

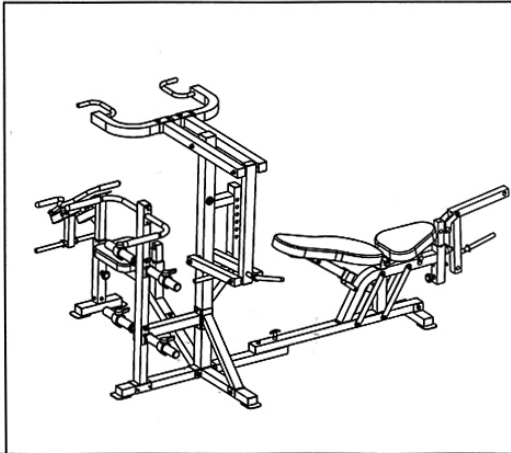
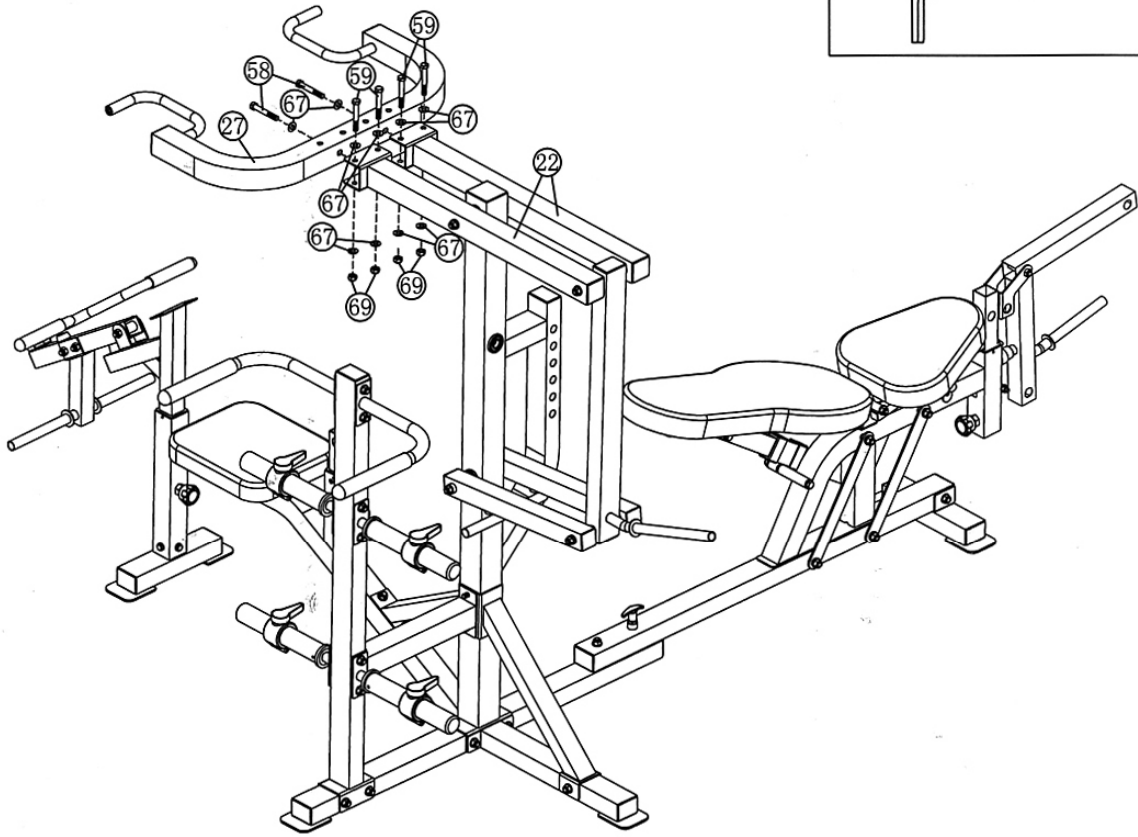
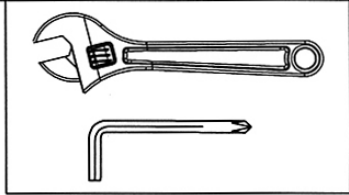


- (37)  2 M12 x  $\emptyset \frac{3}{4}$ " x 10  $\frac{1}{4}$ " (69)  8 M12  
 (38)  2 M12 x  $\emptyset \frac{5}{8}$ " x 10  $\frac{1}{8}$ " (54)  4 M10 x 1  $\frac{5}{8}$ "  
 (66)  4  $\emptyset \frac{3}{4}$ " (67)  8  $\emptyset 1$ "



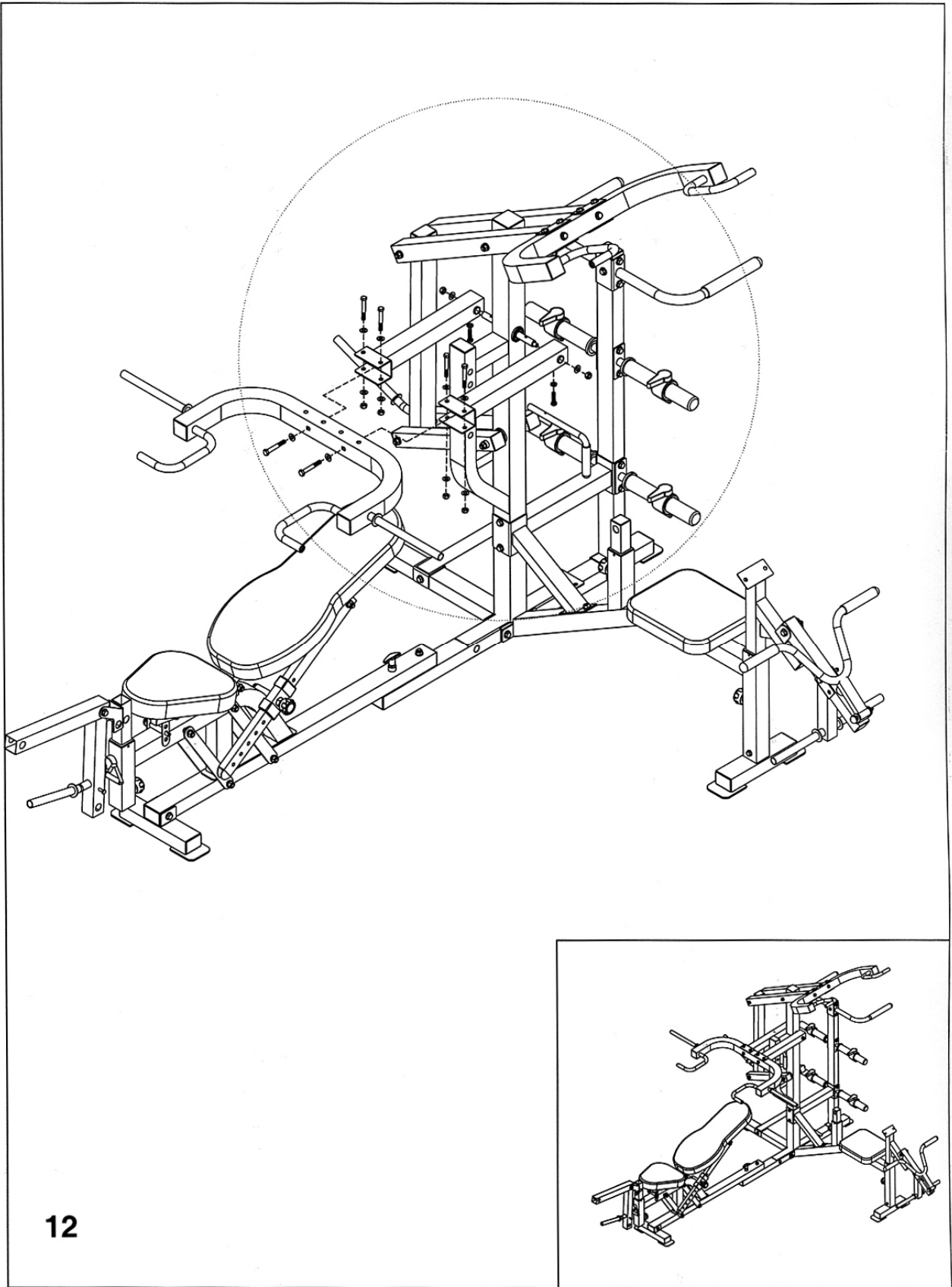
10

58		2 M12 x 3 1/8"	69		4 M12
59		4 M12 x 3 3/8"	67		10 Ø 1"





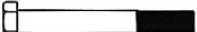


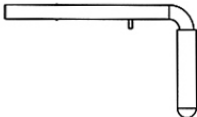


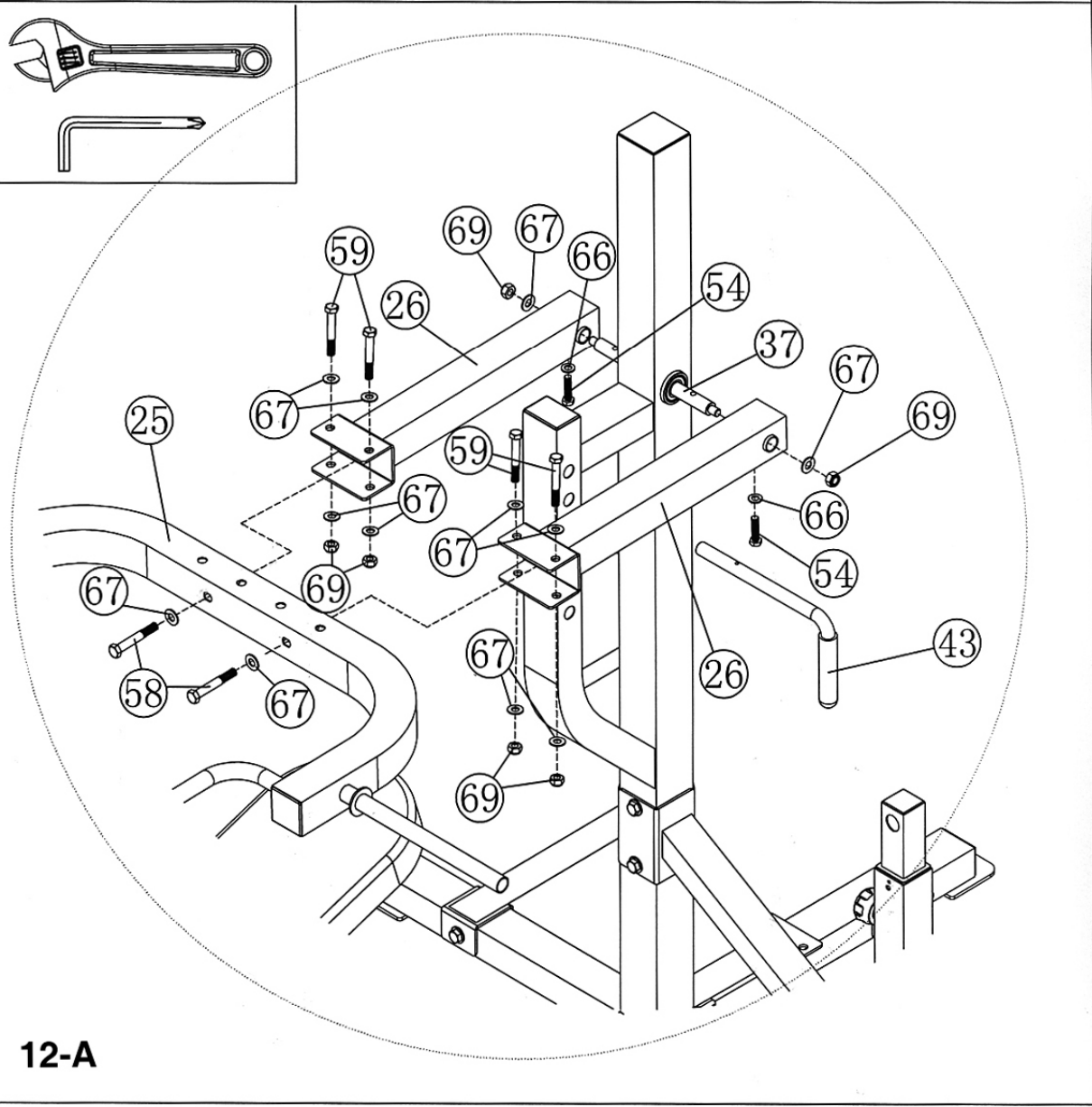
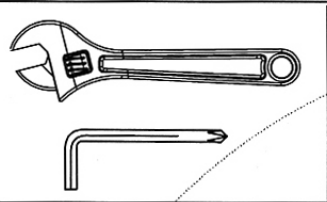
11



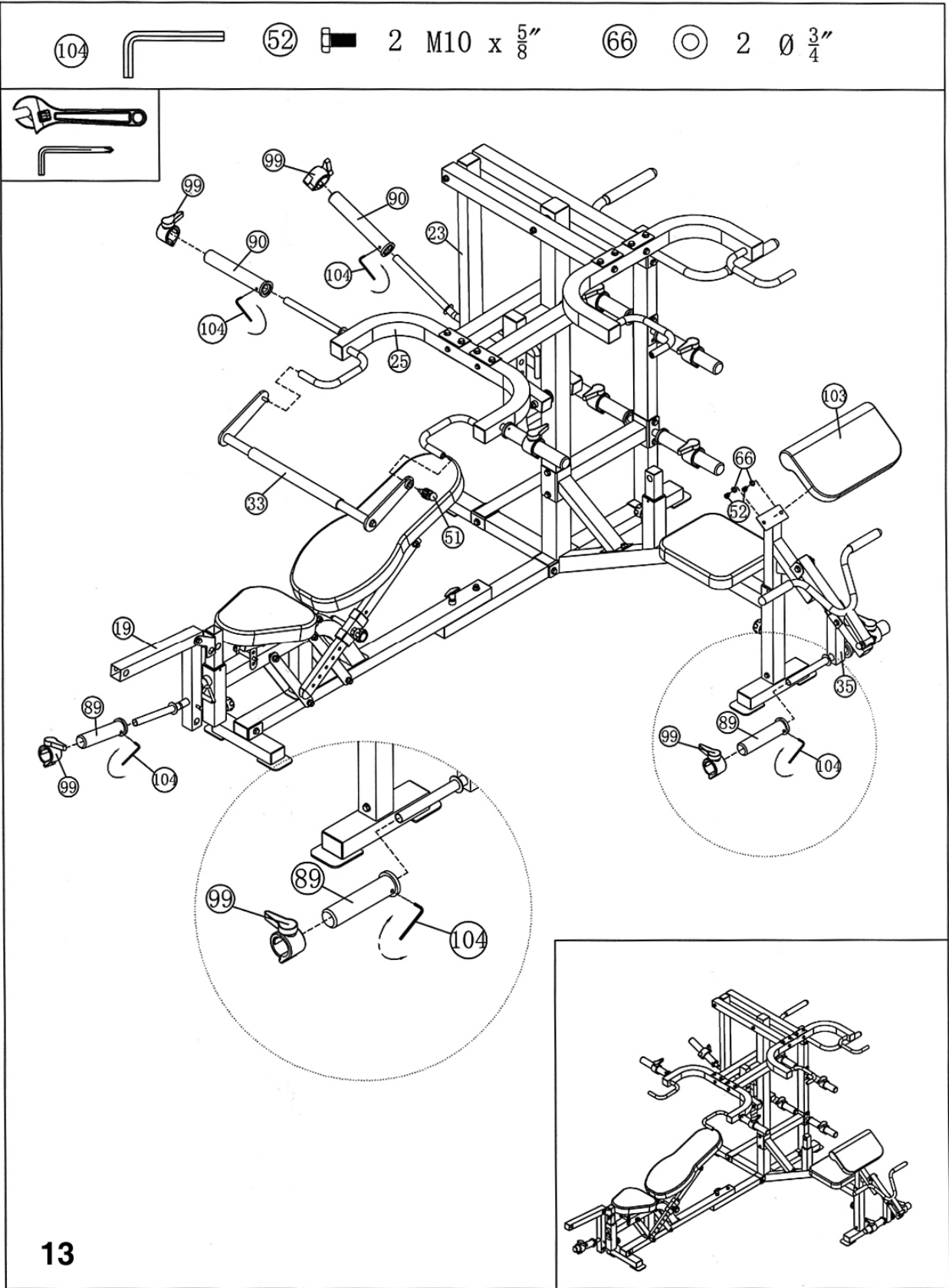


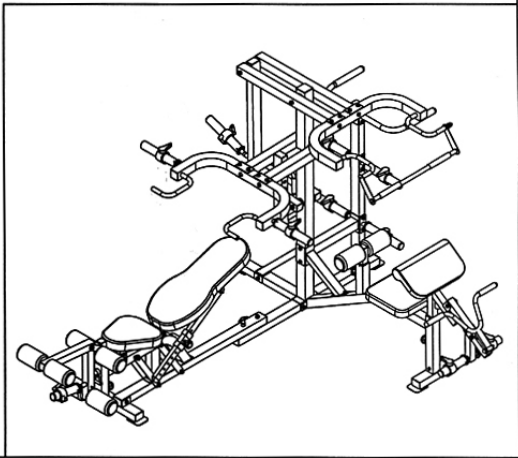
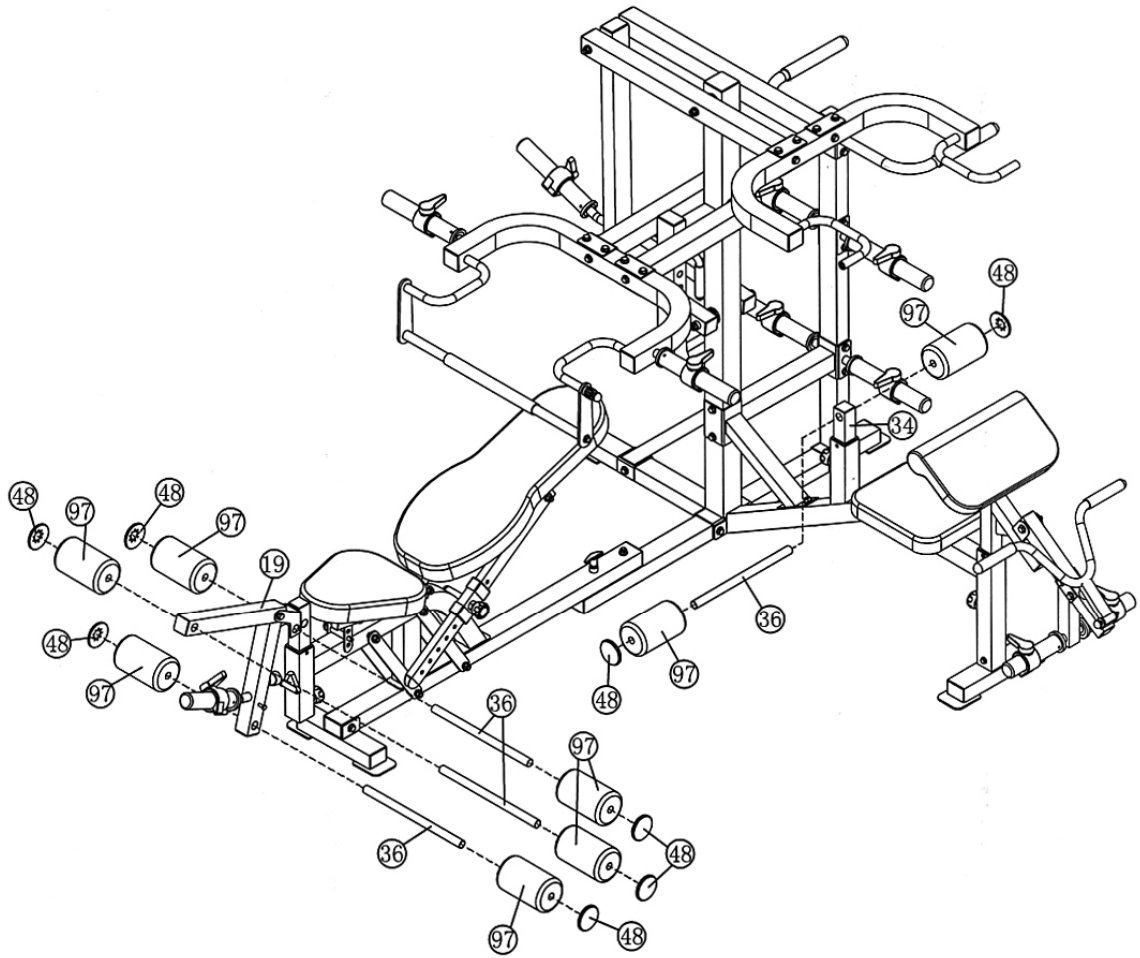
12

(54)		2	M10 x 1 $\frac{5}{8}$ "	(69)		6	M12
(58)		2	M12 x 3 $\frac{1}{8}$ "	(66)		2	$\varnothing \frac{3}{4}$ "
(59)		4	M12 x 3 $\frac{3}{8}$ "	(67)		12	$\varnothing 1$ "
(37)		1	$\varnothing 20 \times 260 \times M12$				
(43)		1					



**12-A**





14

**IMPEX<sup>®</sup> INC.**

2801 S. Towne Ave, Pomona, CA 91766

Tel: (800) 999-8899 Fax: (626) 961-9966

**[www.impex-fitness.com](http://www.impex-fitness.com)**

**[info@impex-fitness.com](mailto:info@impex-fitness.com)**