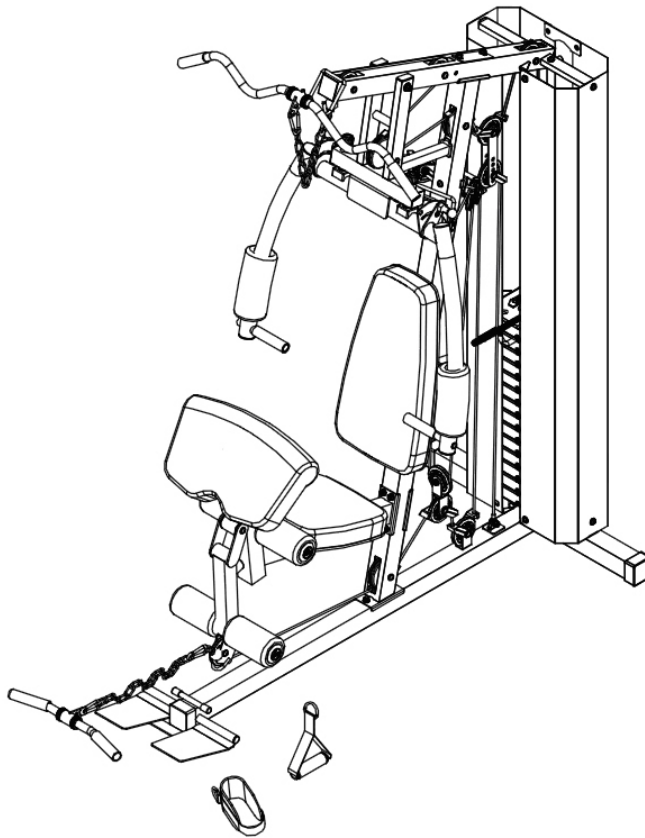




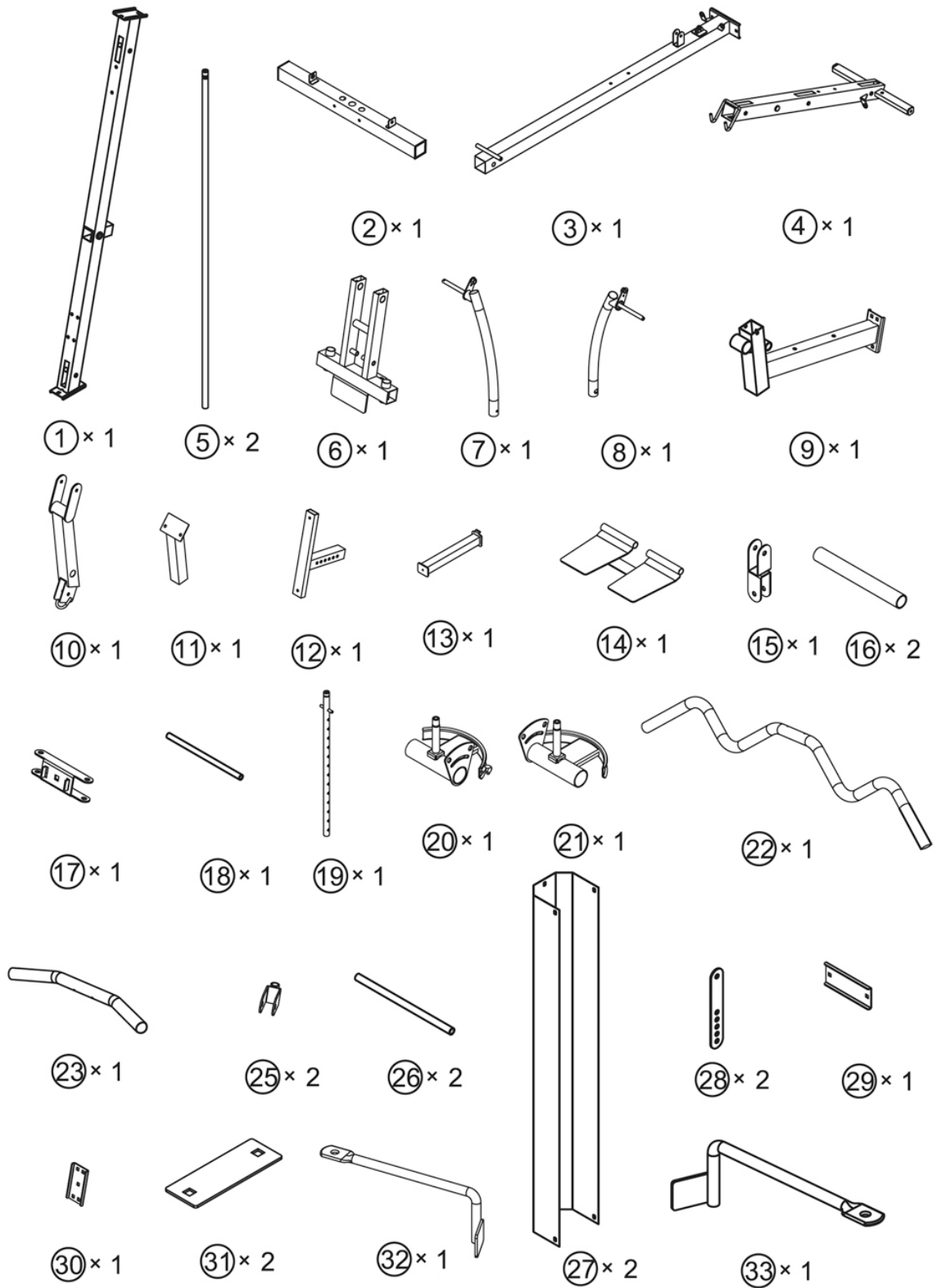
**MARCY CLUB
200lb STACK HOME GYM
MKM-81010**

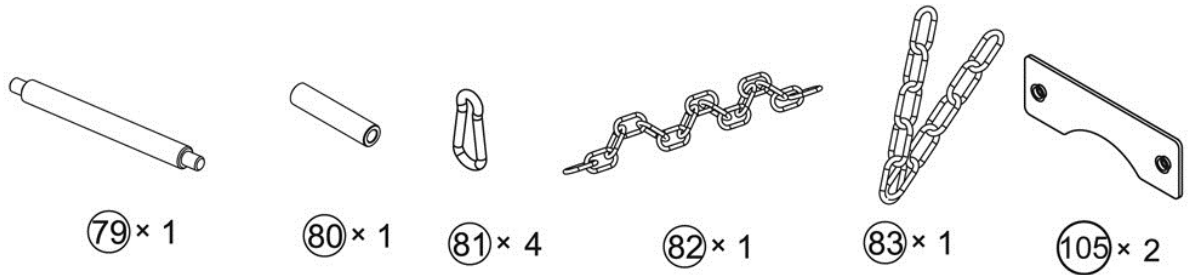
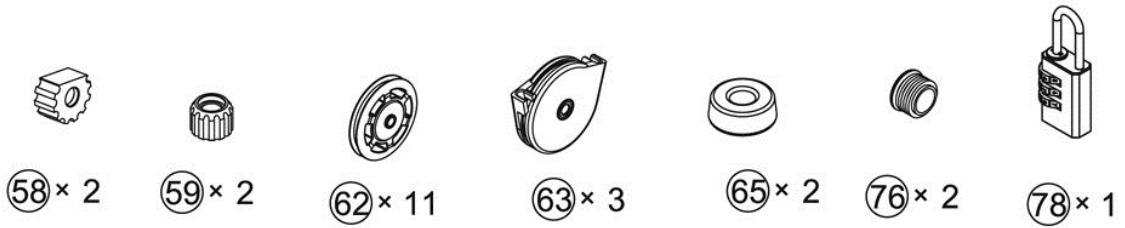
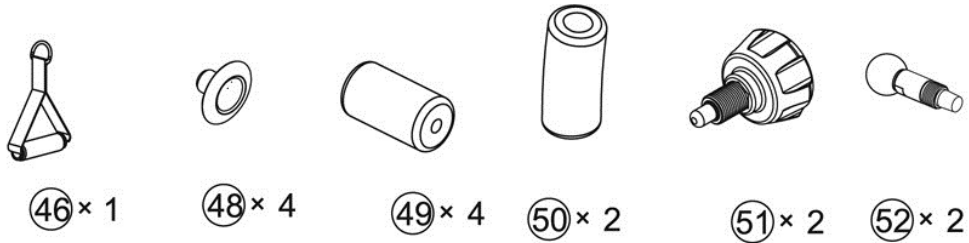
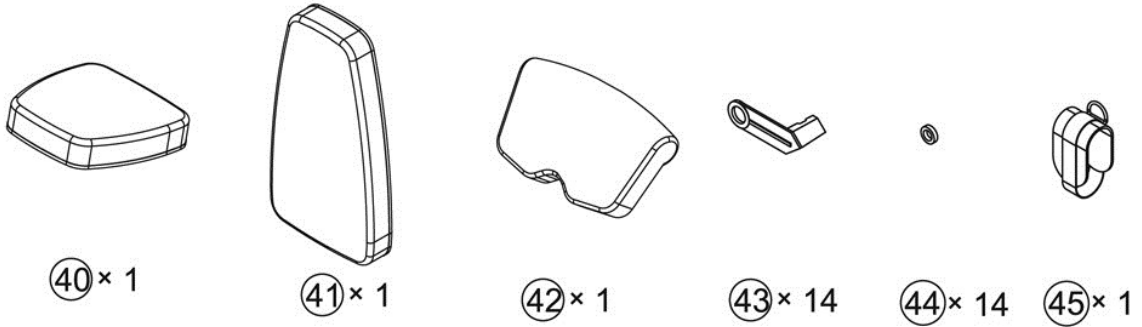
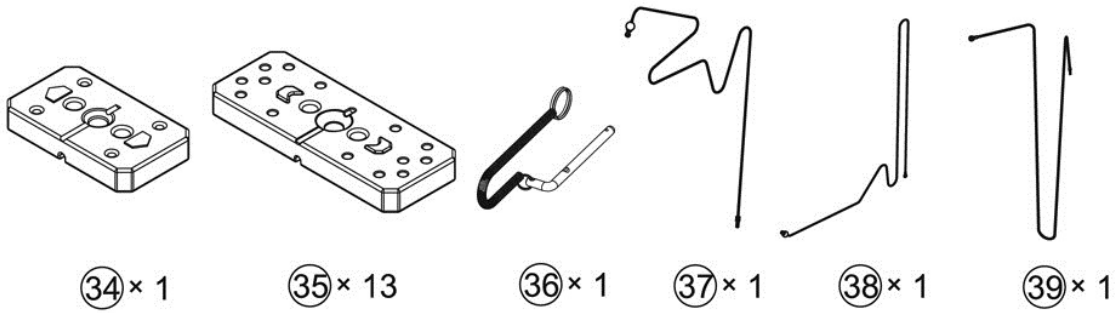


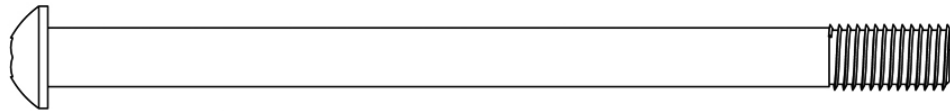
IMPORTANT: Please read the Important Safety Notice and Assembly Information in the Owner's manual before assembling this product.

Assembly Manual

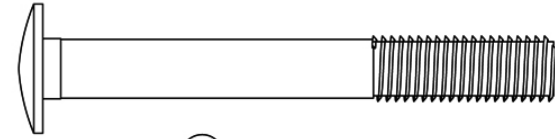
190426







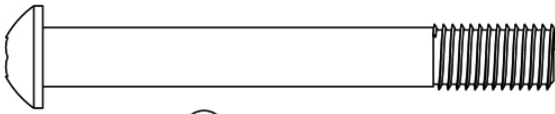
86 × 1



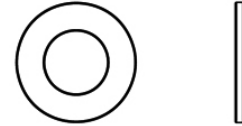
85 × 10



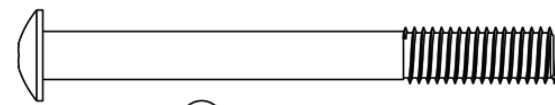
101 × 14



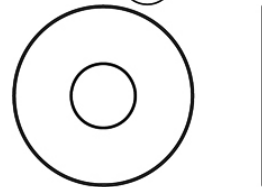
87 × 5



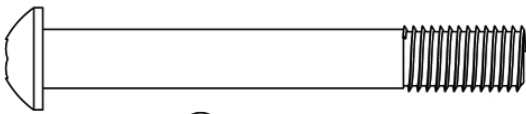
100 × 73



94 × 2



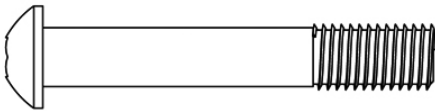
61 × 2



88 × 2



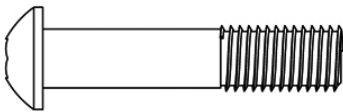
103 × 4



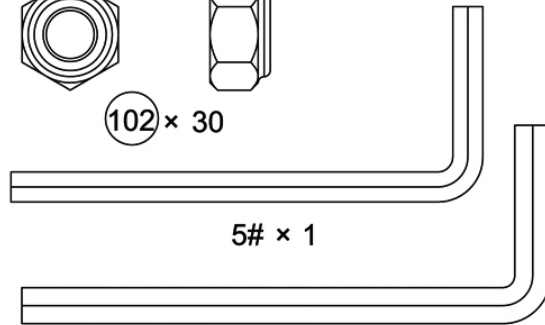
89 × 2



102 × 30



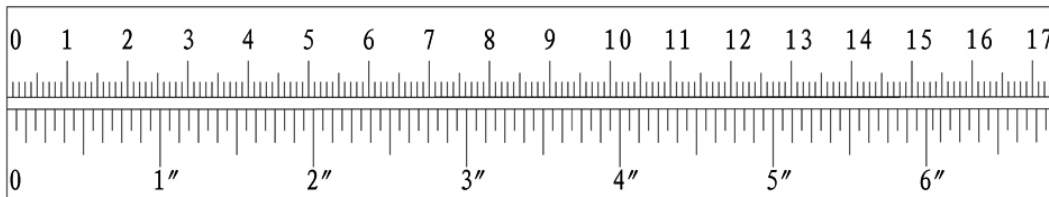
90 × 7

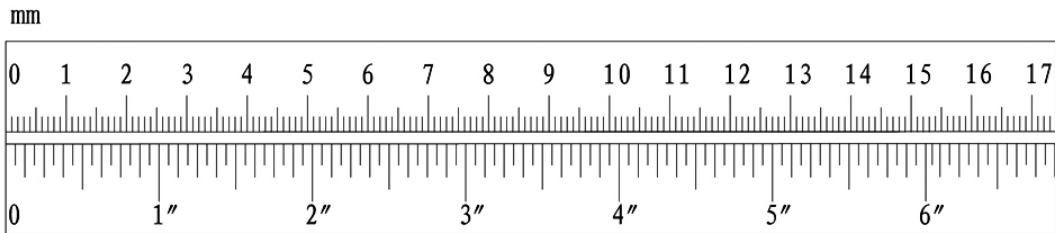
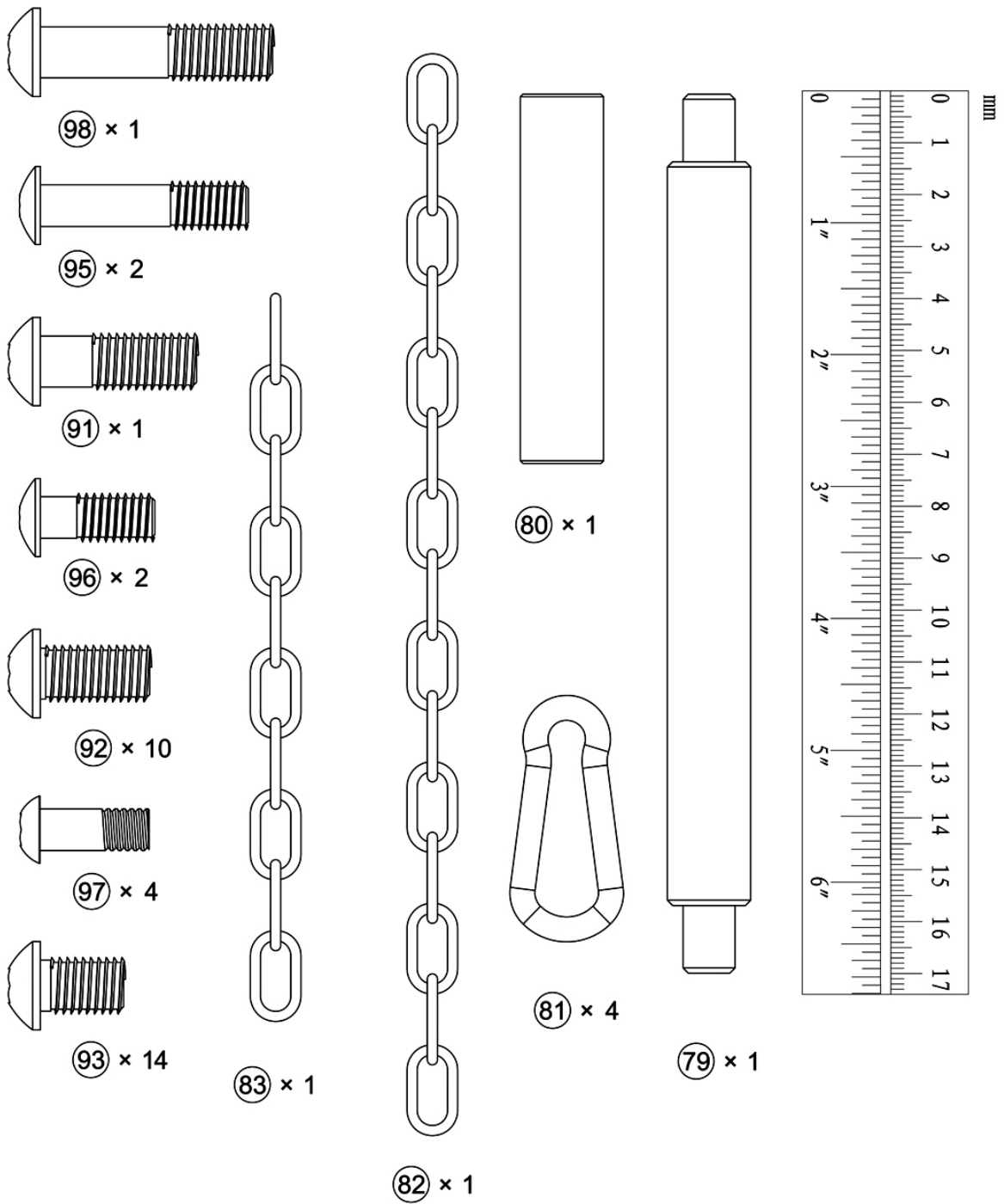


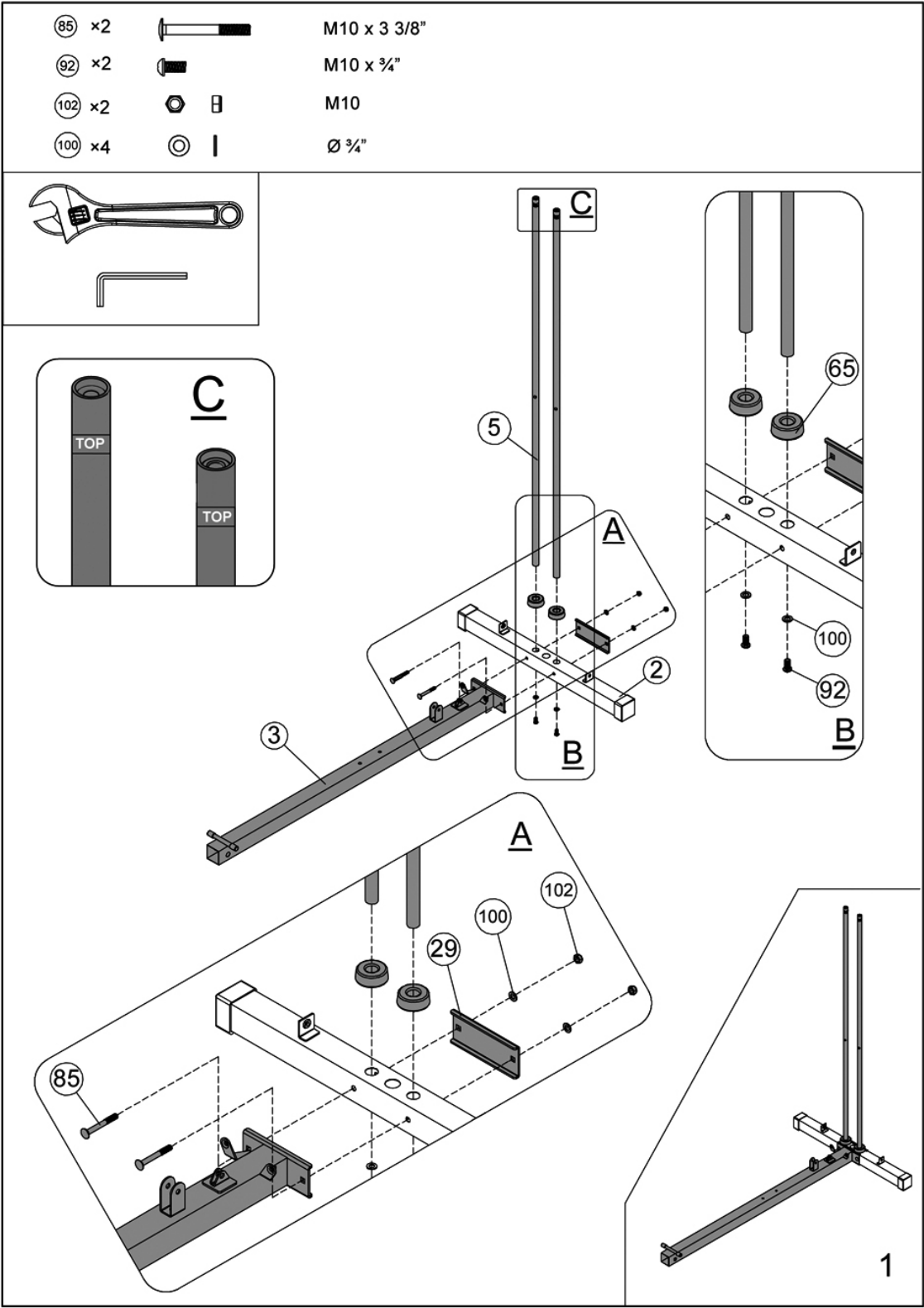
5# × 1




6# × 2

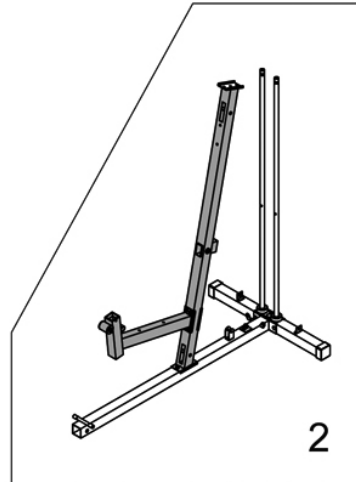
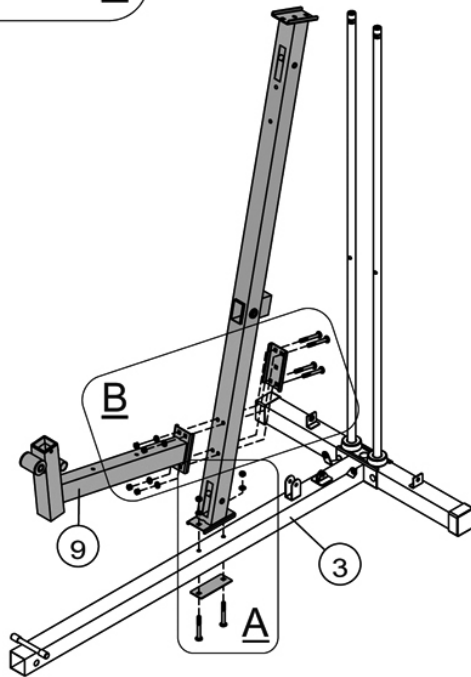
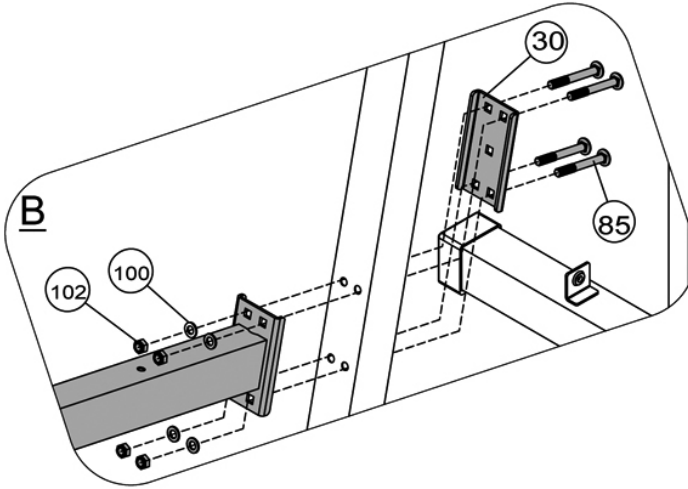
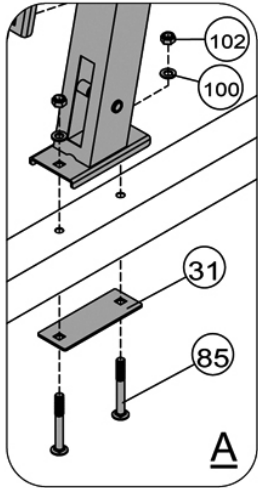
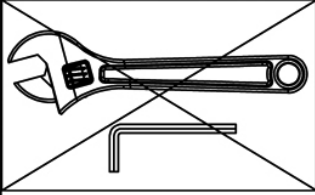
mm




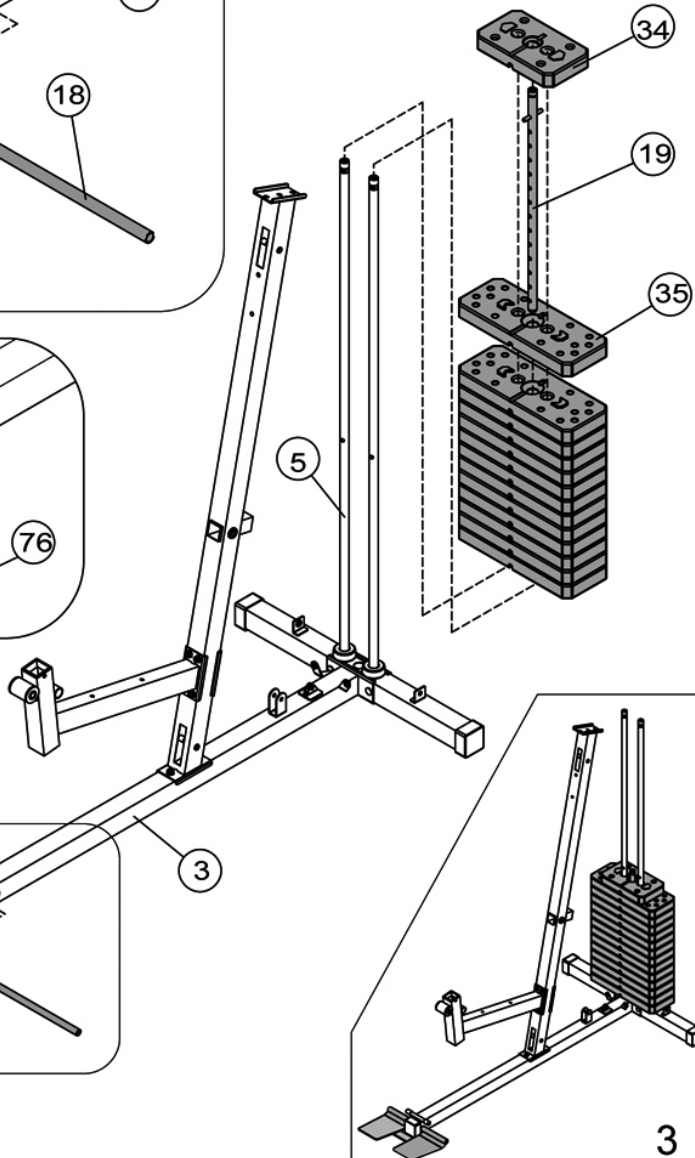
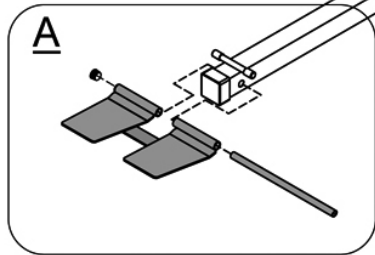
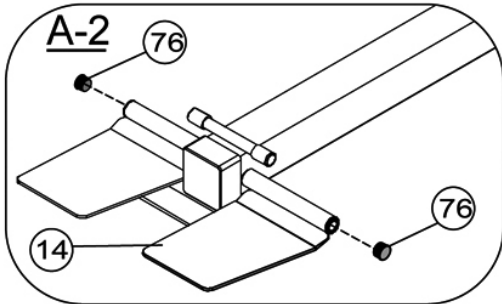
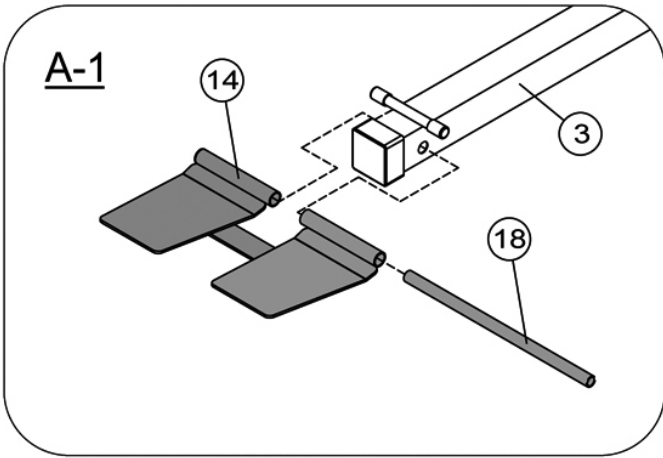
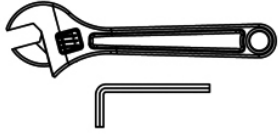


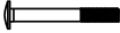








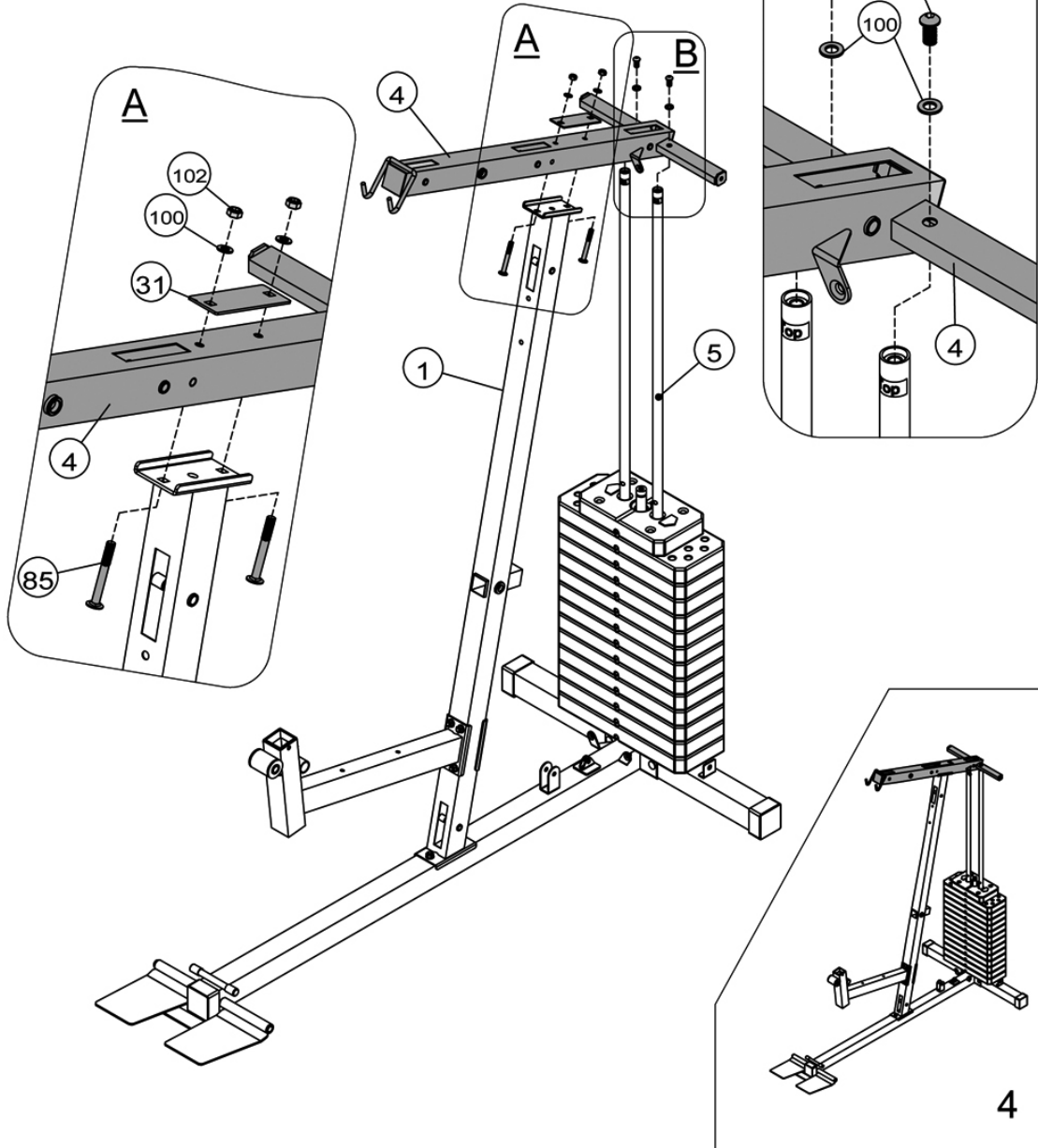
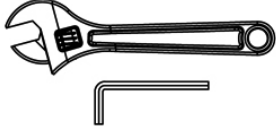
- | | | | |
|-----|----|---|--------------|
| Ⓢ5 | x6 |  | M10 x 3 3/8" |
| 102 | x6 |  | M10 |
| 100 | x6 |  | Ø 3/4" |

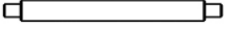










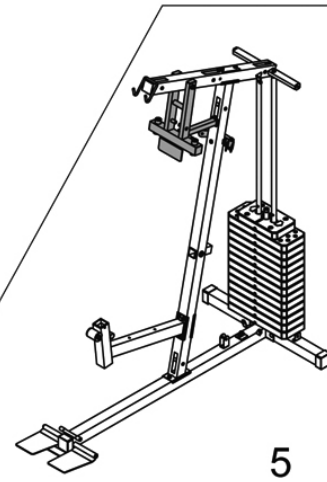
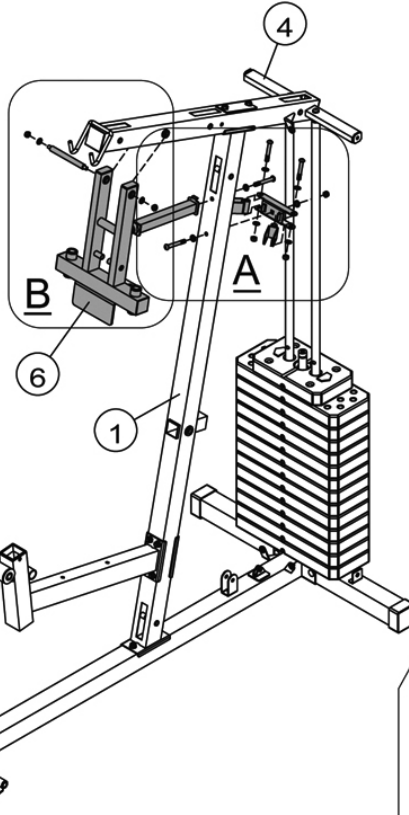
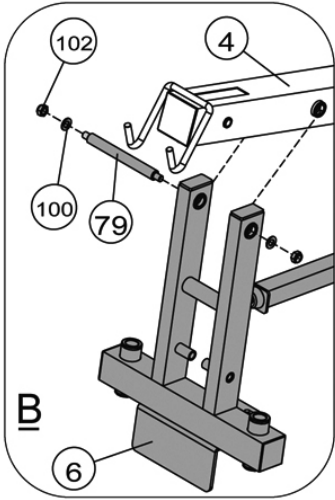
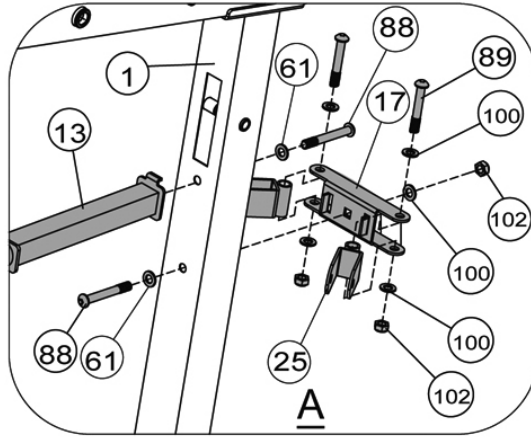
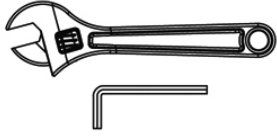
18 x 1 

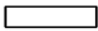





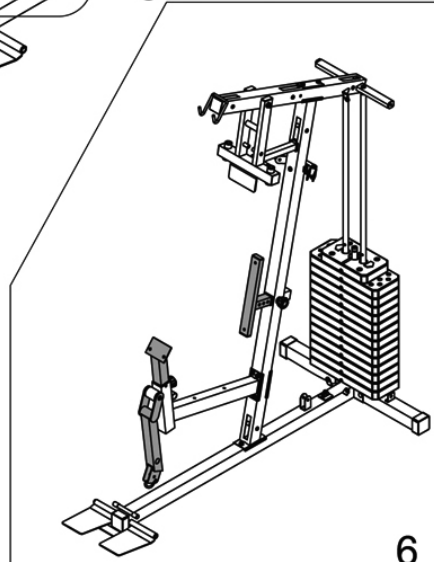
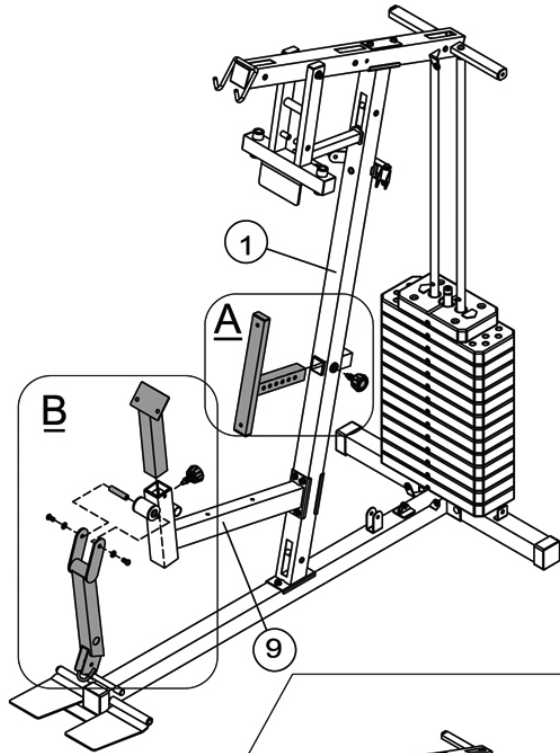
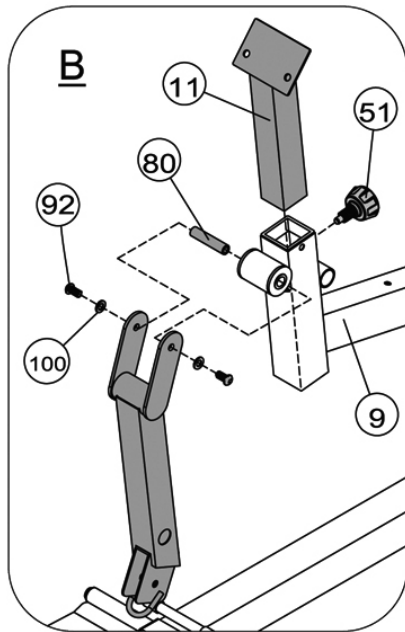
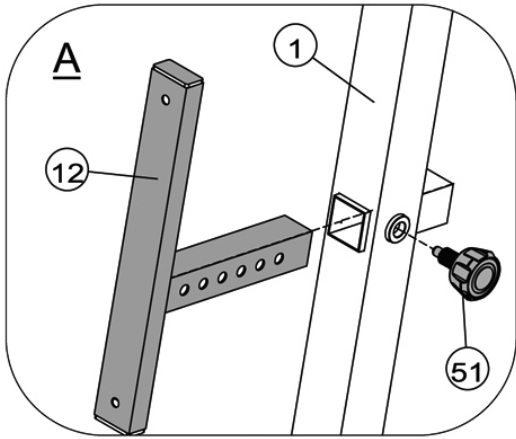
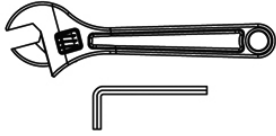
- Ⓢ5 × 2  M10 x 3 3/8"
- Ⓢ92 × 2   M10 x 3/4"
- Ⓢ102 × 2   M10
- Ⓢ100 × 4   Ø 3/4"










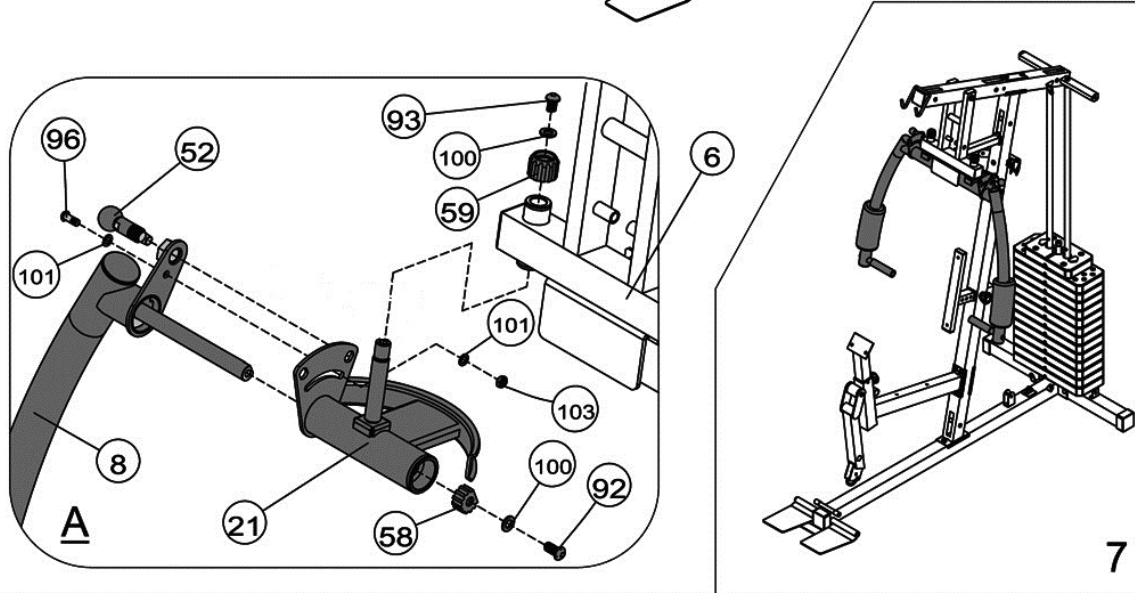
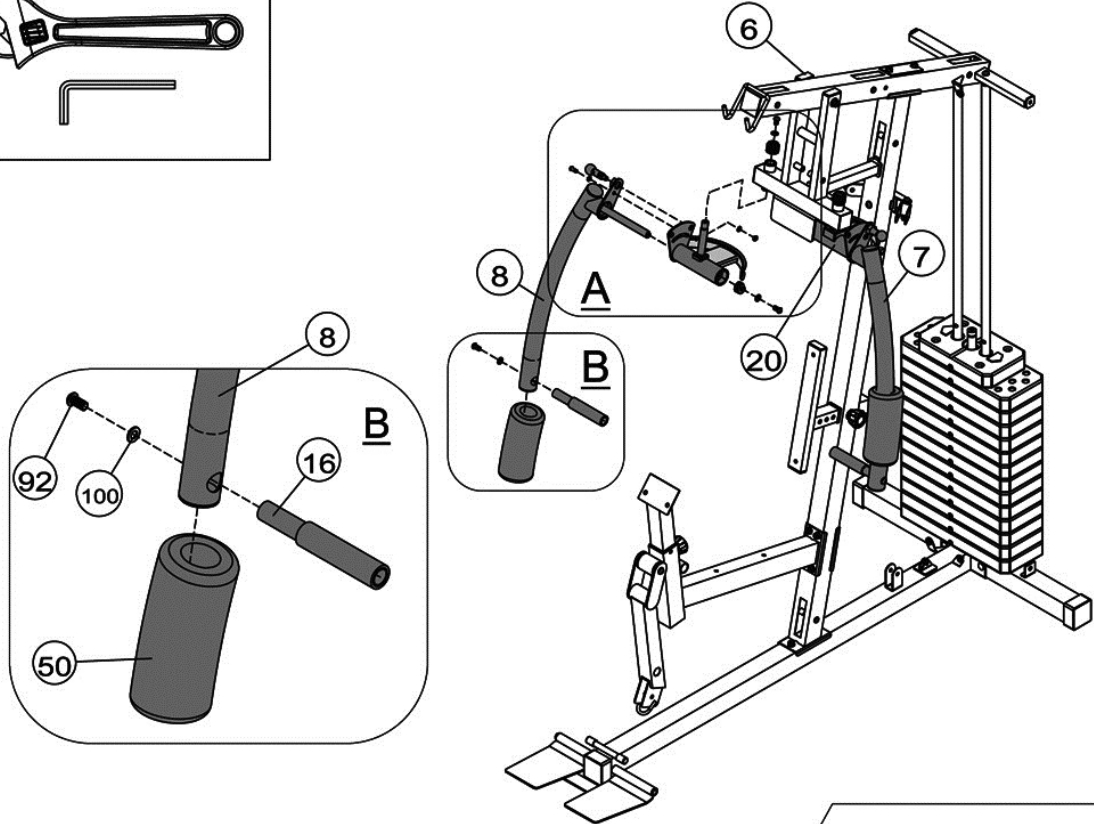
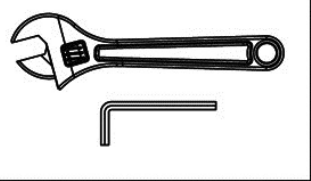
- | | | | |
|-------|----|---|--------------|
| (79) | x1 |  | M10 x 6 3/4" |
| (88) | x2 |  | M10 x 3 1/8" |
| (89) | x2 |  | M10 x 2 1/2" |
| (102) | x5 |   | M10 |
| (100) | x7 |   | Ø 3/4" |
| (61) | x2 |   | Ø 1 1/8" |


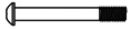



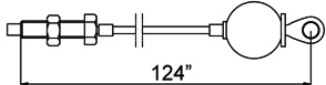


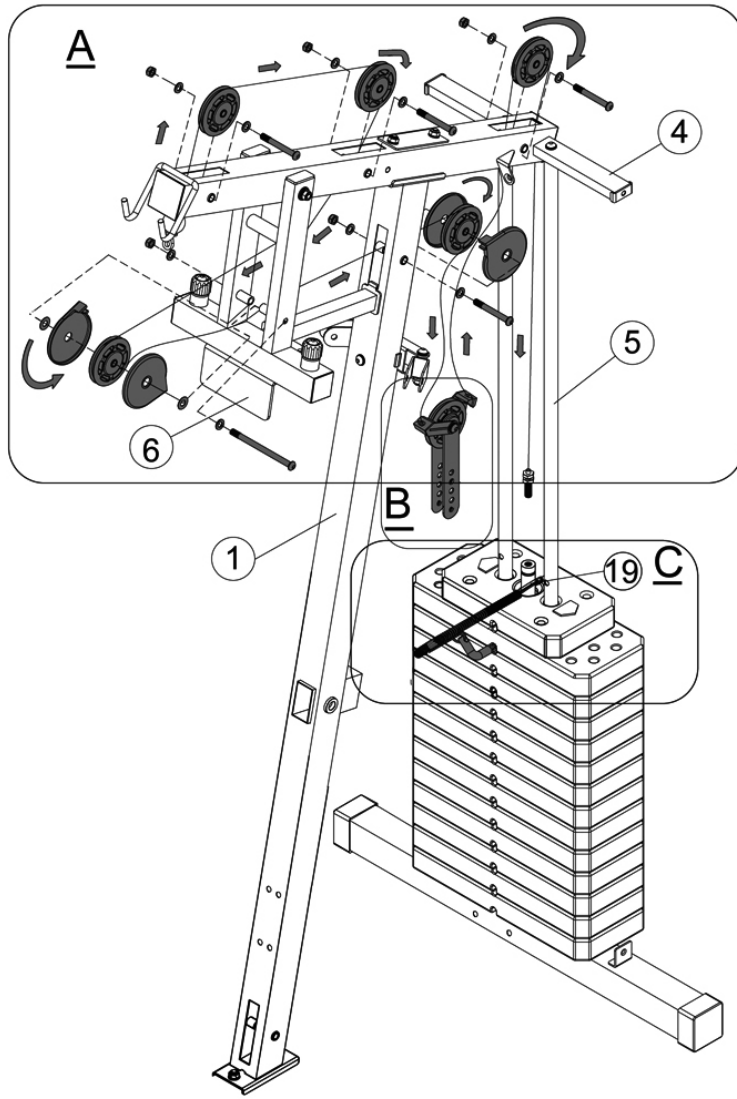
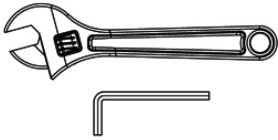
- | | | | |
|-------|-----|---|--------------|
| Ⓢ 80 | × 1 |  | M10 x 2 3/4" |
| Ⓢ 92 | × 2 |  | M10 x 3/4" |
| Ⓢ 100 | × 2 |  | Ø 3/4" |
| Ⓢ 51 | × 2 |  | M18 |



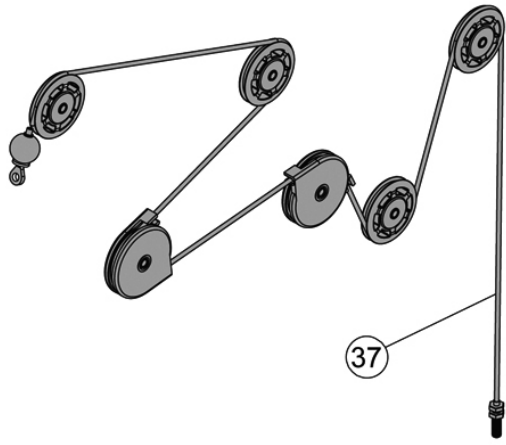
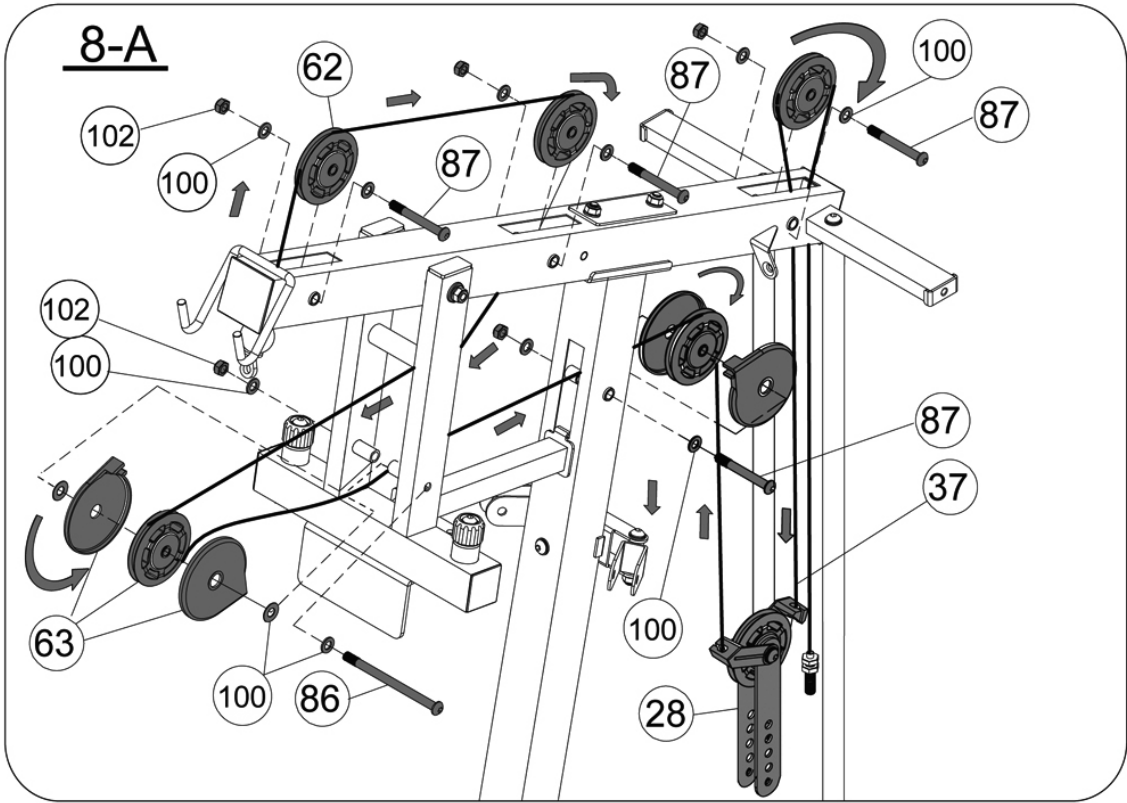
- | | | | | | | |
|--------|---|------------|---------|---|---|--------|
| 52 × 2 |  | | 100 × 6 |  | | Ø 3/4" |
| 92 × 4 |  | M10 x 3/4" | 101 × 4 |  | | Ø 5/8" |
| 93 × 2 |  | M10 x 5/8" | 103 × 2 |  | Ø | M8 |
| 96 × 2 |  | M8 x 7/8" | | | | |



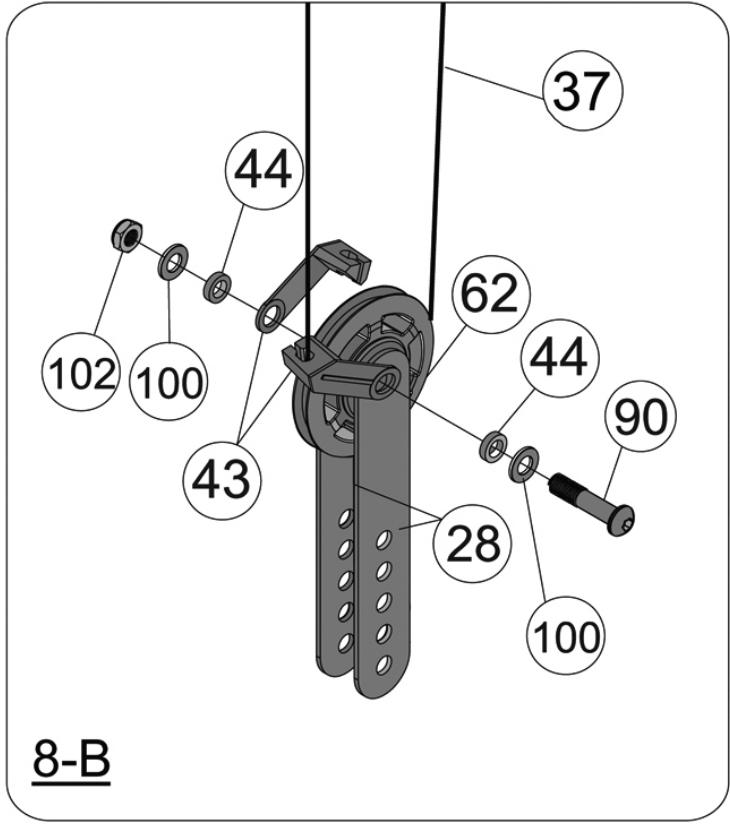
- ⓈⓆ × 1  M10 x 6"
- ⓈⓇ × 4  M10 x 3 3/8"
- ⓈⓉ × 1  M10 x 2"
- ⓈⓊ × 14  Ø 3/4"
- ⓈⓋ × 6  M10
- ⓈⓌ × 1  124"



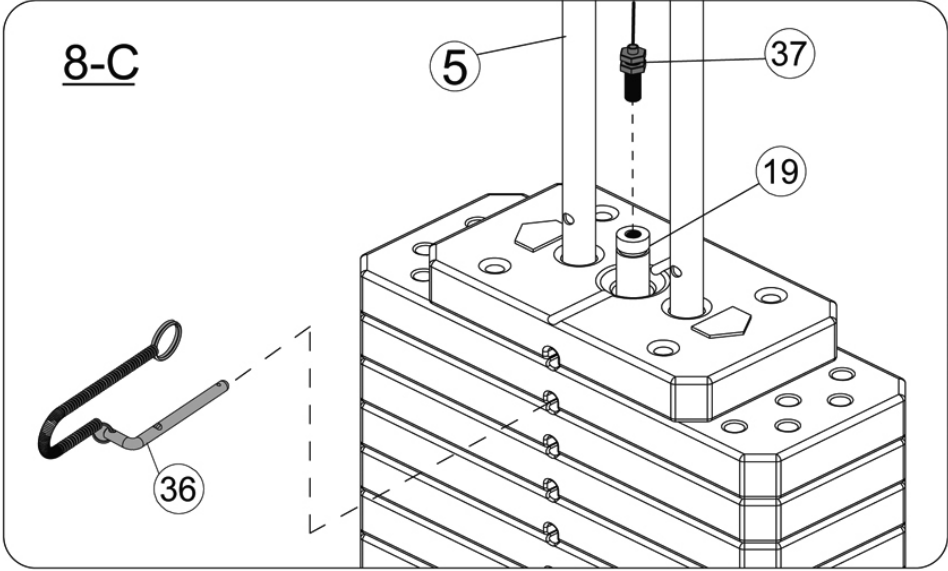
8



8-A







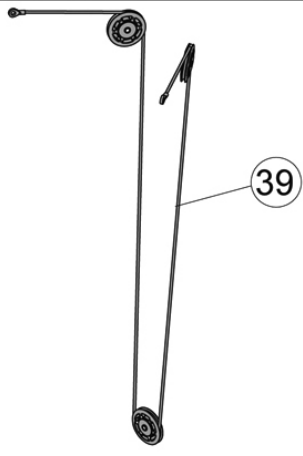
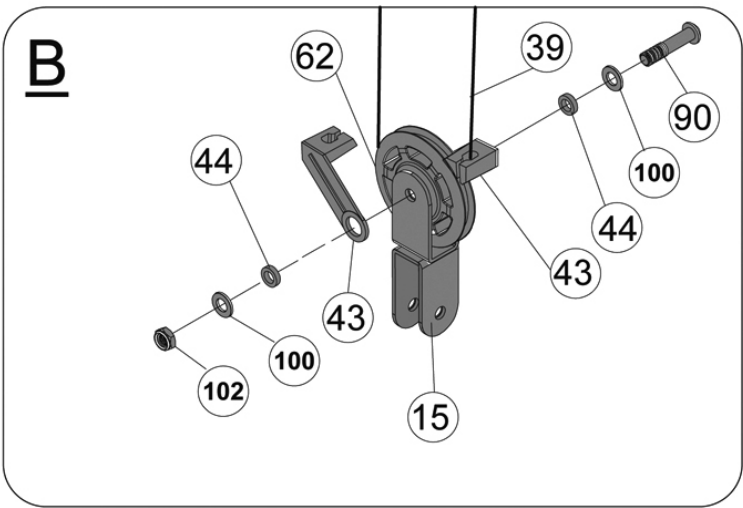
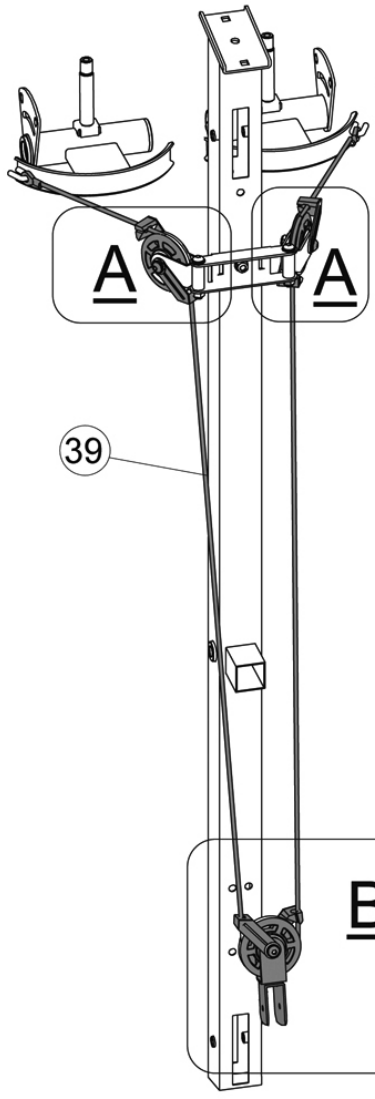
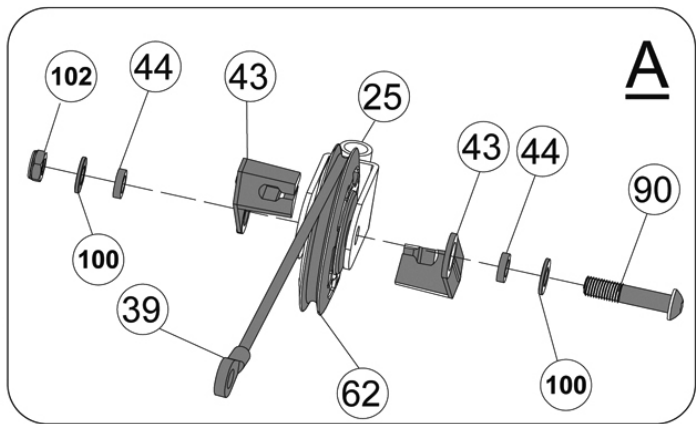
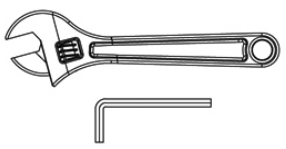
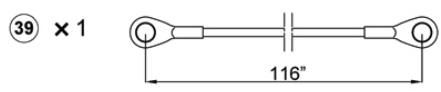
8-B




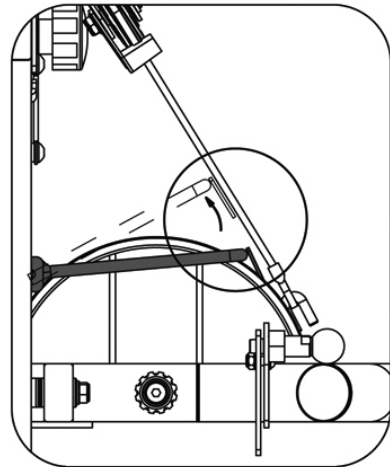
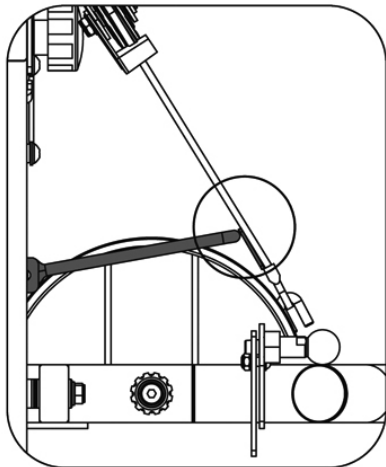
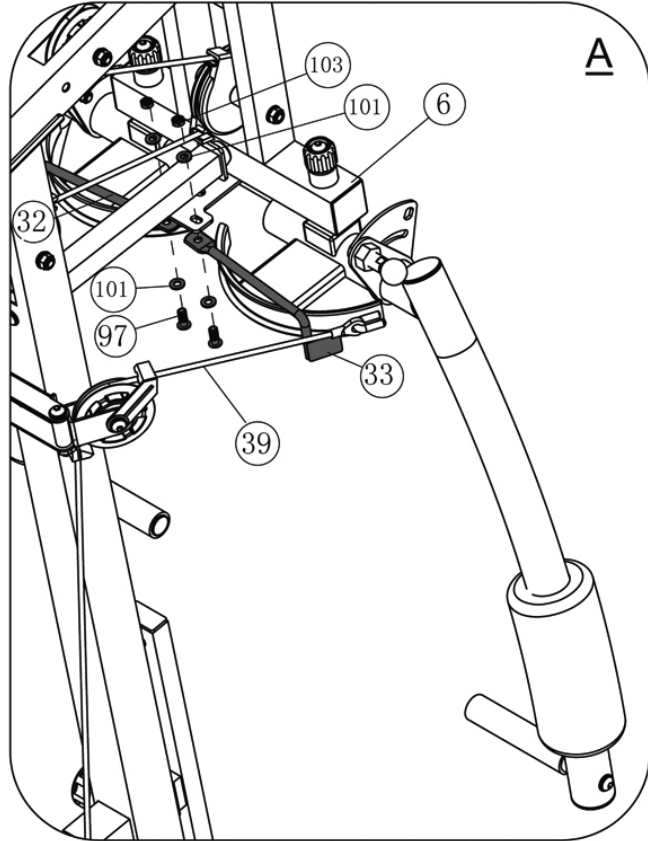
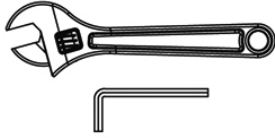
8-C

8-B
8-C








- 90 x 3  M10 x 2"
- 100 x 6  | $\text{\O} \frac{3}{4}$ "
- 102 x 3   M10

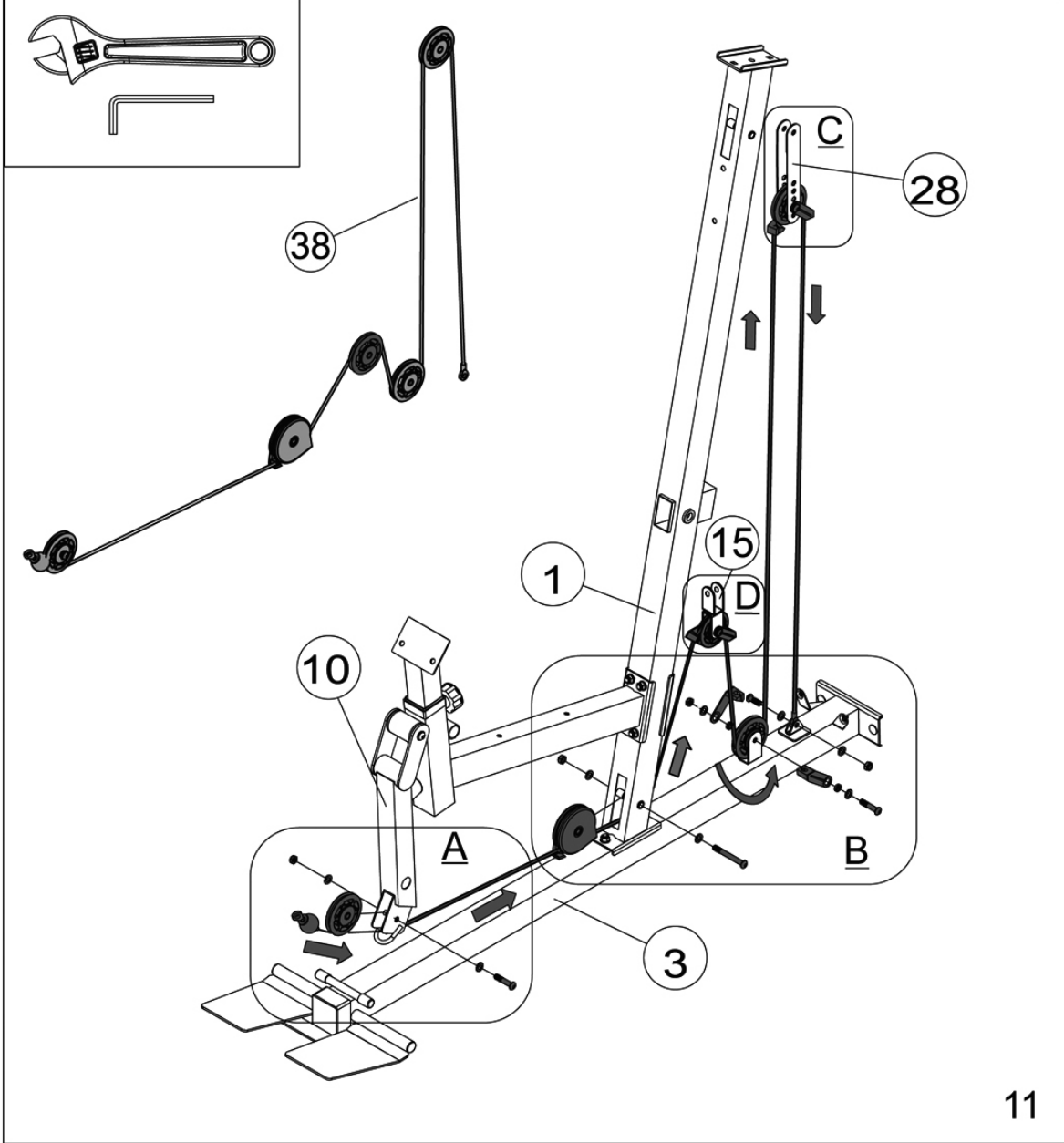
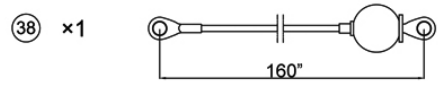


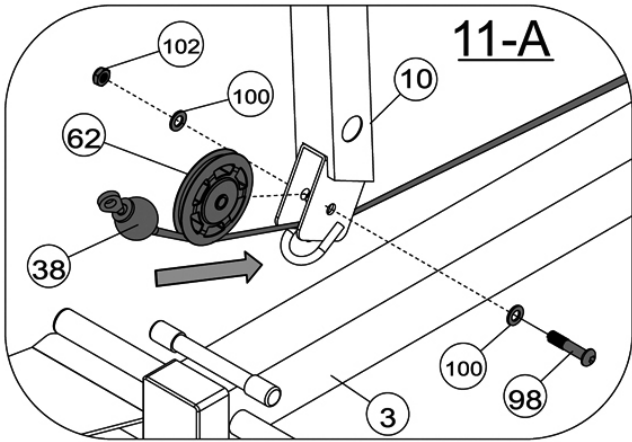
- ⑨7 ×2  M8 x 3/4"
- ⑩1 ×4  | Ø 5/8"
- ⑩3 ×2  M8



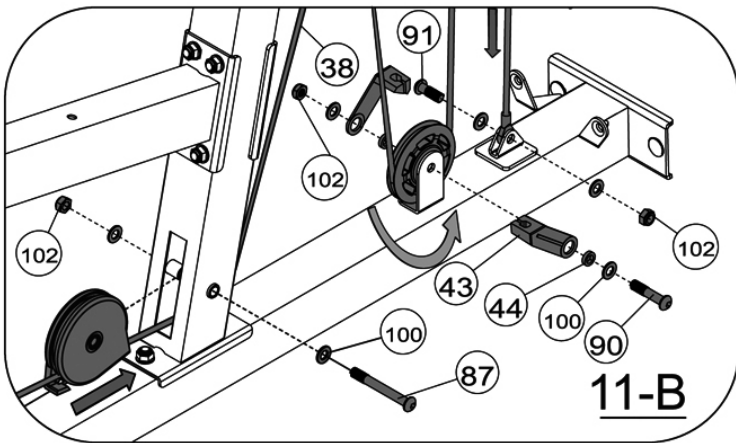
10

- Ⓢ7 ×1  M10 x 3 3/8"
- Ⓢ90 ×3  M10 x 2"
- Ⓢ98 ×1  M10 x 1 3/4"
- Ⓢ91 ×1  M10 x 1 1/8"
- Ⓢ100 ×12  | Ø 3/4"
- Ⓢ102 ×6   M10

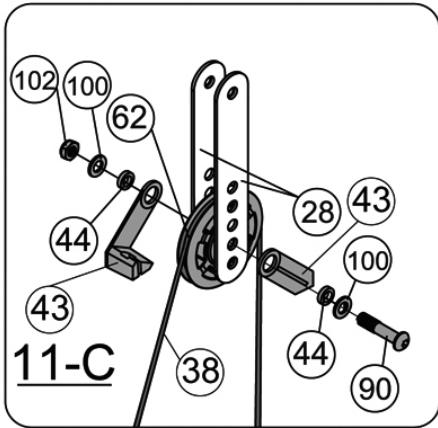




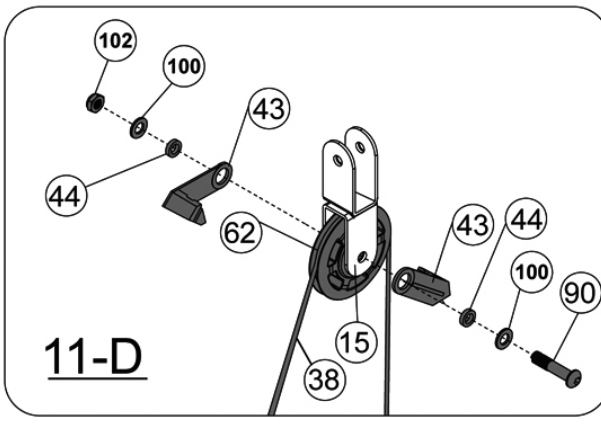
11-A



11-B







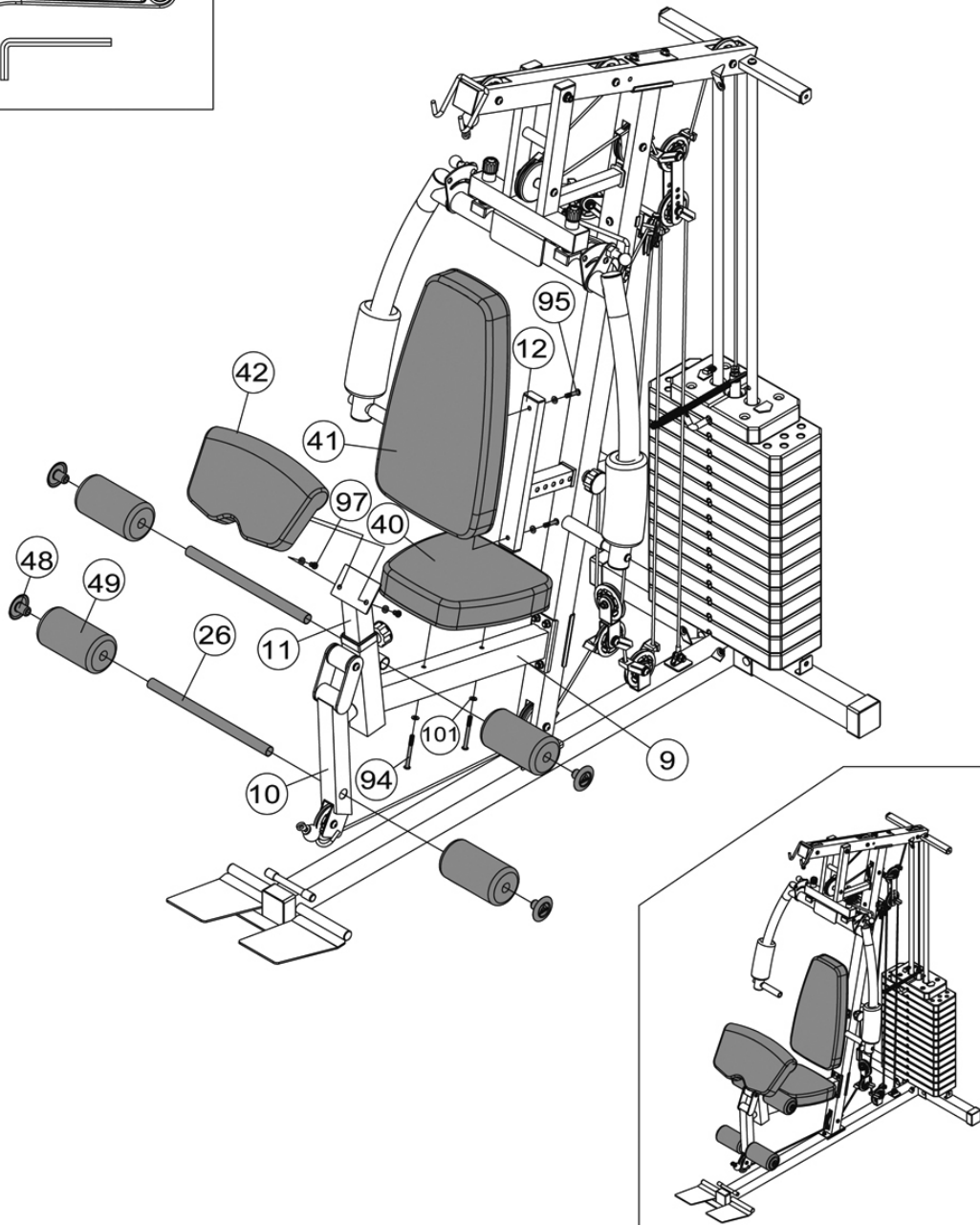
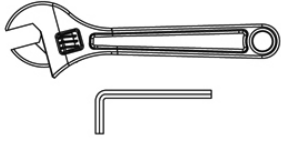
11-C



11-D

11-A 11-B
11-C 11-D

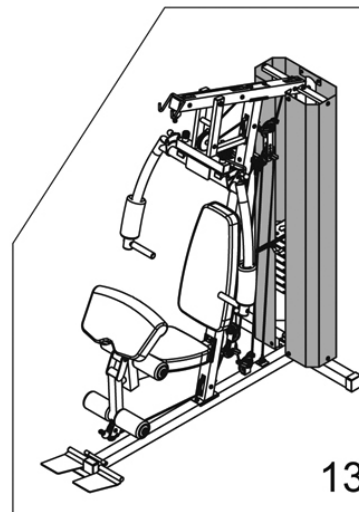
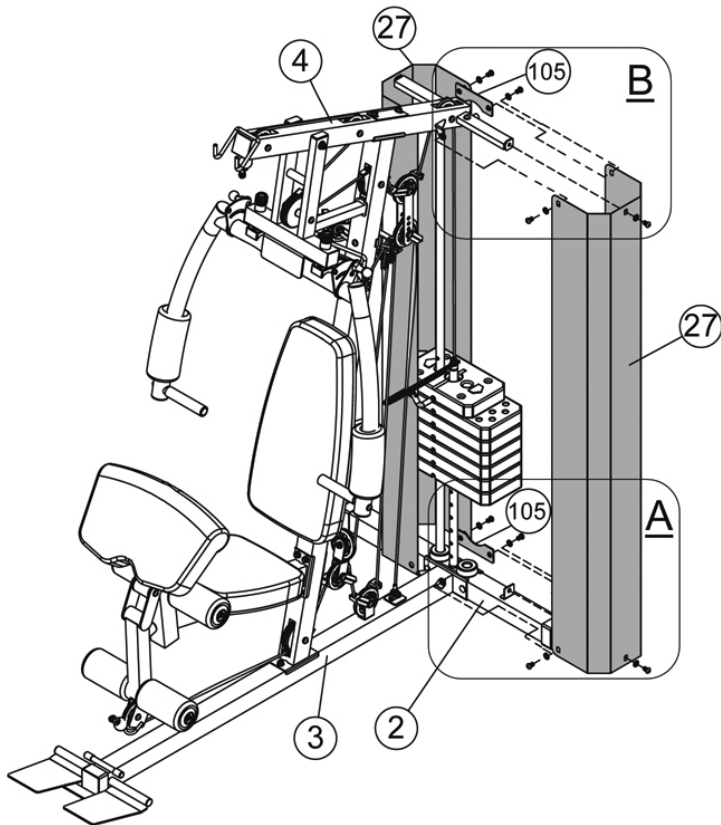
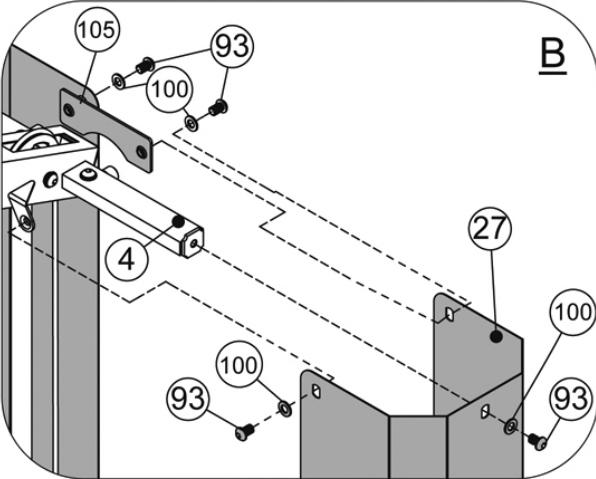
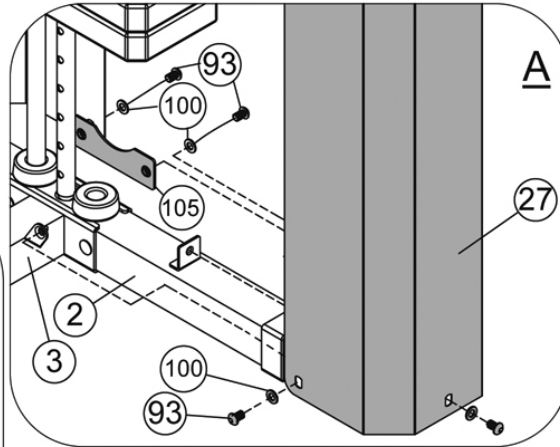
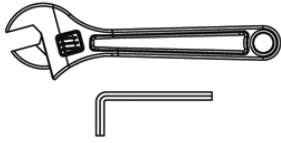
- 94 × 2  M8 x 3 3/8"
- 95 × 2  M8 x 1 5/8"
- 97 × 2  M8 x 3/4"
- 101 × 6  | Ø 5/8"

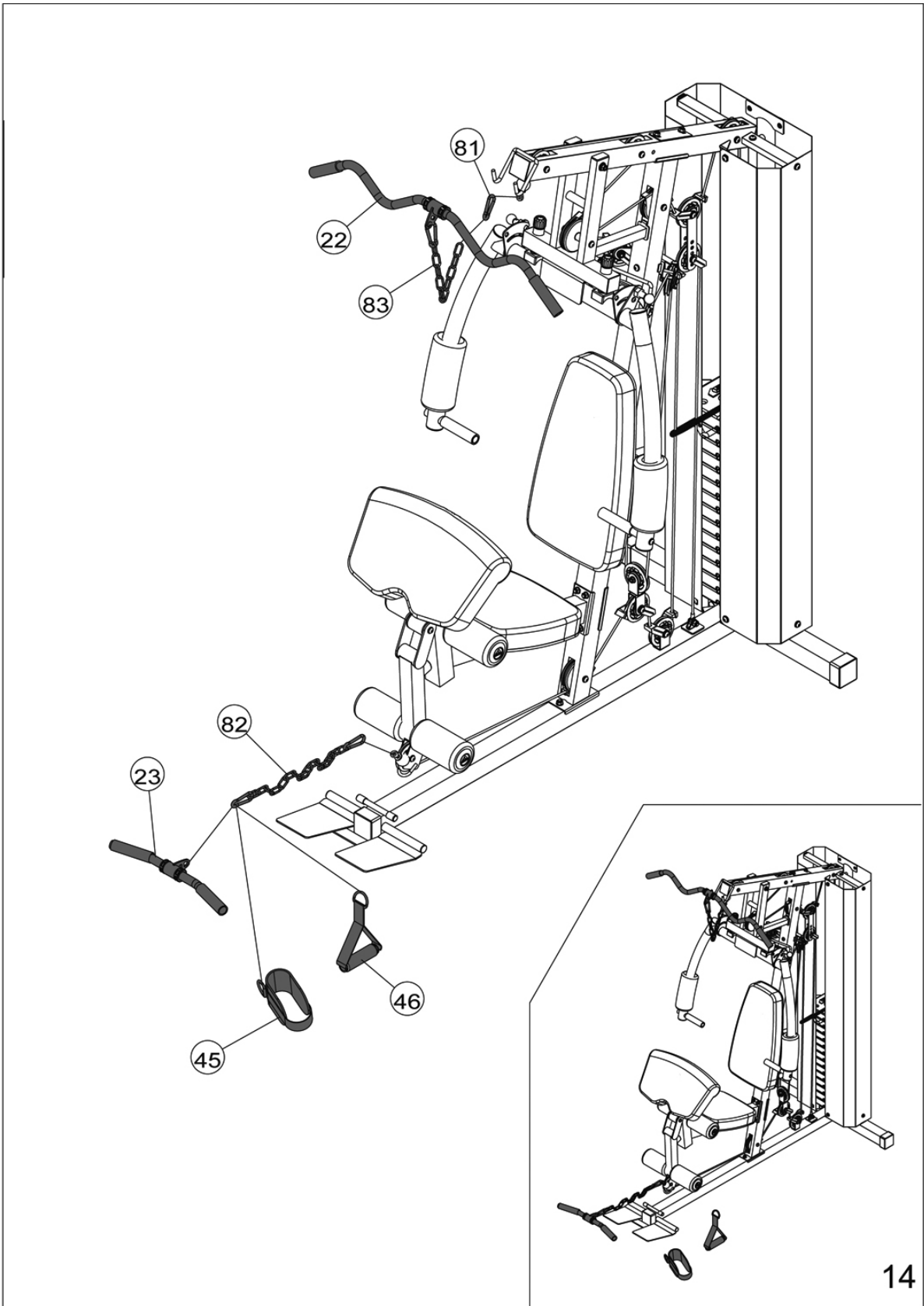


12

93 ×12  M10 x 5/8"

100 ×12  | Ø 3/4"





IMPEX® INC.

2801 S. Towne Ave, Pomona, CA 91766

Tel: (800) 999-8899 Fax: (626) 961-9966

www.marcypro.com

support@impex-fitness.com