

NOTE:  
Please read all instructions  
carefully before using this  
product

Safety Notice

Hardware Identifier

Assembly Instruction

Parts List

Warranty

Ordering Parts

Model  
MCPL 105

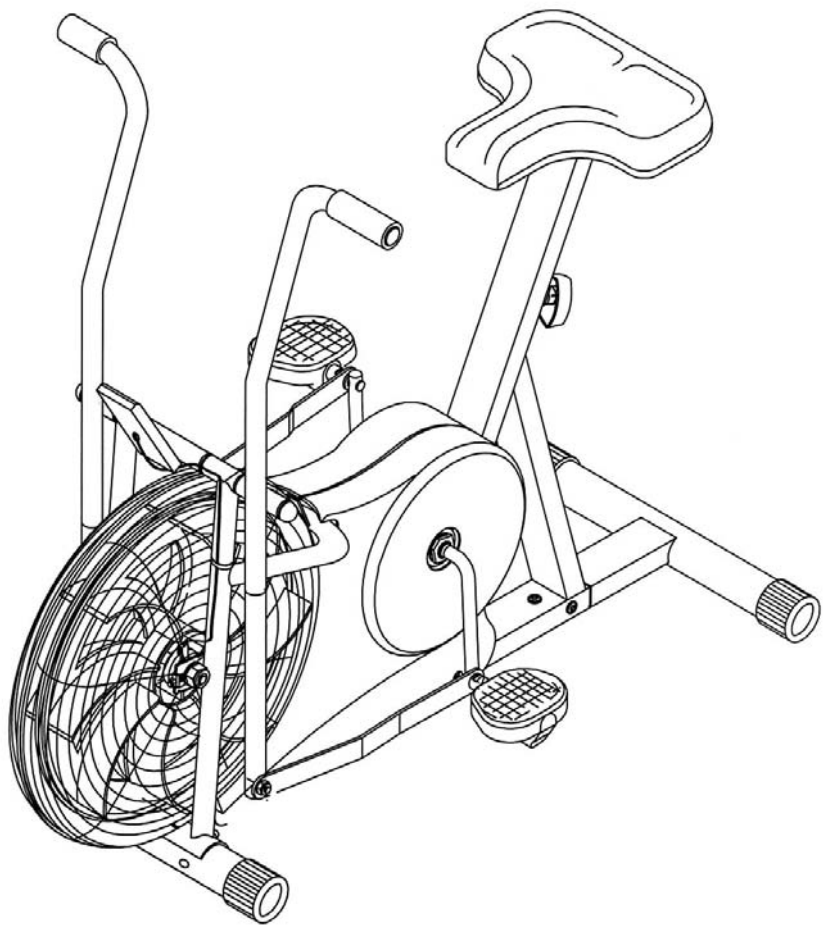
Retain This  
Manual for  
Reference

100427

OWNER'S  
MANUAL

# IMPEX

## MARCY BODY CYCLE MCPL-105



### IMPEX INC.

2801 S. Towne Ave., Pomona, CA 91766  
Tel: (800) 999-8899 Fax: (626) 961-9966

[www.impex-fitness.com](http://www.impex-fitness.com)  
[info@impex-fitness.com](mailto:info@impex-fitness.com)

---

## TABLE OF CONTENTS

BEFORE YOU BEGIN.....	1
IMPORTANT SAFETY NOTICES.....	2
HARDWARE IDENTIFIER.....	3
ASSEMBLY INSTRUCTIONS.....	4
EXPLODED DIAGRAM.....	8
PARTS LIST.....	9
COMPUTER.....	10
WARRANTY.....	11
ORDERING PARTS.....	11

---

## BEFORE YOU BEGIN

Thank you for selecting the MARCY Body Cycle Fan Bike MCPL-105 by IMPEX INC. For your safety and benefit, read this manual carefully before using the machine. As a manufacturer, we are committed to provide you complete customer satisfaction. If you have any questions, or find there are missing or damaged parts, we guarantee you complete satisfaction through direct assistance from our factory. To avoid unnecessary delays, *please call our TOLL-FREE customer service number.* Our Customer Service Agents will provide immediate assistance to you.

**Toll-Free Customer Service Number**

**1-800-999-8899**

**Mon. - Fri. 9 a.m. - 5 p.m. PST**

**[www.impex-fitness.com](http://www.impex-fitness.com)**

**[info@impex-fitness.com](mailto:info@impex-fitness.com)**

# **IMPORTANT SAFETY NOTICE**

## **PRECAUTIONS**

This exercise machine is built for optimum safety. However, certain precautions apply whenever you operate a piece of exercise equipment. Be sure to read the entire manual before you assemble or operate your machine. In particular, note the following safety precautions:

1. **Keep children and pets away from the machine at all times. DO NOT leave children unattended in the same room with the machine.**
2. Only one person at a time should use the machine.
3. If the user experiences dizziness, nausea, chest pain, or any other abnormal symptoms, STOP the workout at once. CONSULT A PHYSICIAN IMMEDIATELY.
4. Position the machine on a clear, leveled surface. DO NOT use the machine near water or outdoors.
5. Keep hands away from all moving parts.
6. Always wear appropriate workout clothing when exercising. DO NOT wear robes or other clothing that could become caught in the machine. Running or aerobic shoes are also required when using the machine.
7. Use the machine only for its intended use as described in this manual. DO NOT use attachments not recommended by the manufacturer.
8. Do not place any sharp object around the machine.
9. Disabled person should not use the machine without a qualified person or physician in attendance.
10. Before using the machine to exercise, always do stretching exercises to properly warm up.
11. Never operate the machine if the machine is not functioning properly.
12. The Weight Capacity is up to 300 lbs.

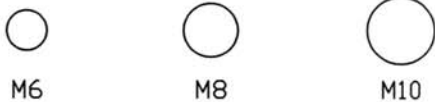
**WARNING: BEFORE BEGINNING ANY EXERCISE PROGRAM, CONSULT YOUR PHYSICIAN. THIS IS ESPECIALLY IMPORTANT FOR INDIVIDUALS OVER THE AGE OF 35 OR PERSONS WITH PRE-EXISTING HEALTH PROBLEMS. READ ALL INSTRUCTIONS BEFORE USING ANY FITNESS EQUIPMENT. IMPEX INC. ASSUMES NO RESPONSIBILITY FOR PERSONAL INJURY OR PROPERTY DAMAGE SUSTAINED BY OR THROUGH THE USE OF THIS PRODUCT.**

**SAVE THESE INSTRUCTIONS.**

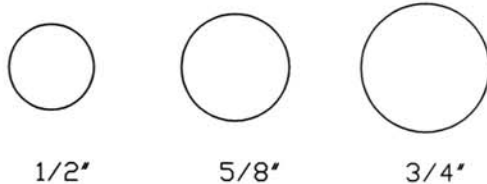
# HARDWARE IDENTIFIER

PLACE WASHER, END OF BOLT, OR SCREW ON CIRCLE TO CHECK FOR CORRECT SIZE.

## MILLIMETERS



## INCHES



## REPLACEMENT PARTS

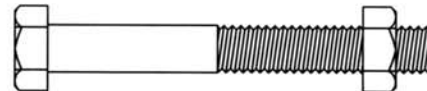
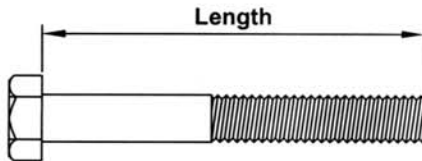
Thank you for purchasing IMPEX product. Although we go to great effort to ensure the quality of our products, Occasionally errors or omissions occur. Should you find either a defective or missing part in this product, Please contact us for a replacement at the telephone number.

QUESTION ?

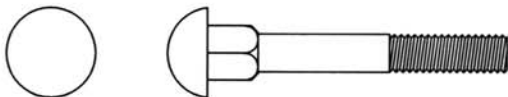


**1-800-999-8899**

**NOTE:** When installing a Aircraft Nut (also called Nylon or Lock Nut), Please use two adjustable wrenches to tighten down the Nut. Hold down the Bolt with one wrench, and use the other wrench to turn the Nut clockwise.



HEX HEAD BOLT



CARRIAGE BOLT



ALLEN BOLT



AIRCRAFT NUT



FLAT WASHER

# ASSEMBLY INSTRUCTION

**Tools Required to Assemble the Machine: Two Adjustable Wrenches and Allen Wrenches**

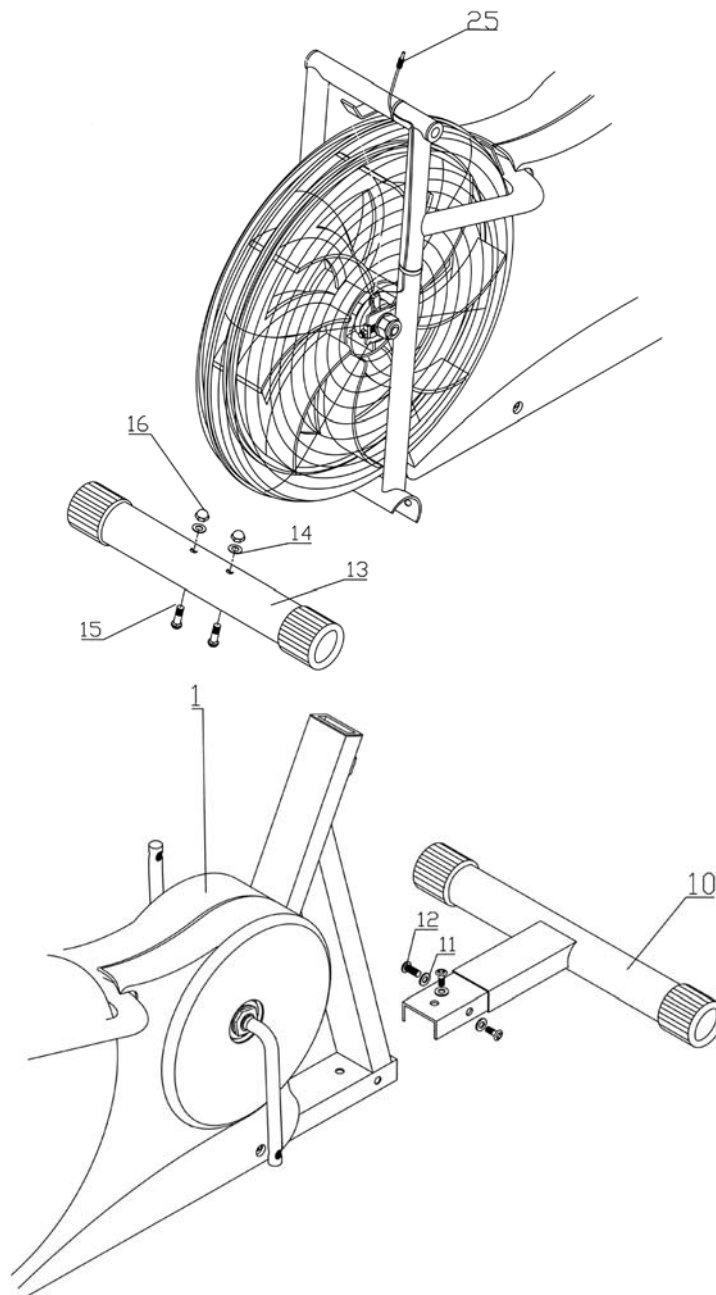
**NOTE: It is strongly recommended this machine be assembled by two or more people to avoid possible injury.**

## STEP 1 (See Diagram1)

A.) Attach the Front Stabilizer (#13) to the Main Frame (#1). Secure it with two M8 x 2 ½” Carriage Bolts (#15), Ø5/8” Bent Washers (#14), and M8 Acorn Nuts (#16).

B.) Insert Rear Stabilizer (#10) into the rear bottom of Main Frame (#1). Secure it with three M8 x 5/8” Allen Bolts (#12) and Ø 5/8” Washers (#11).

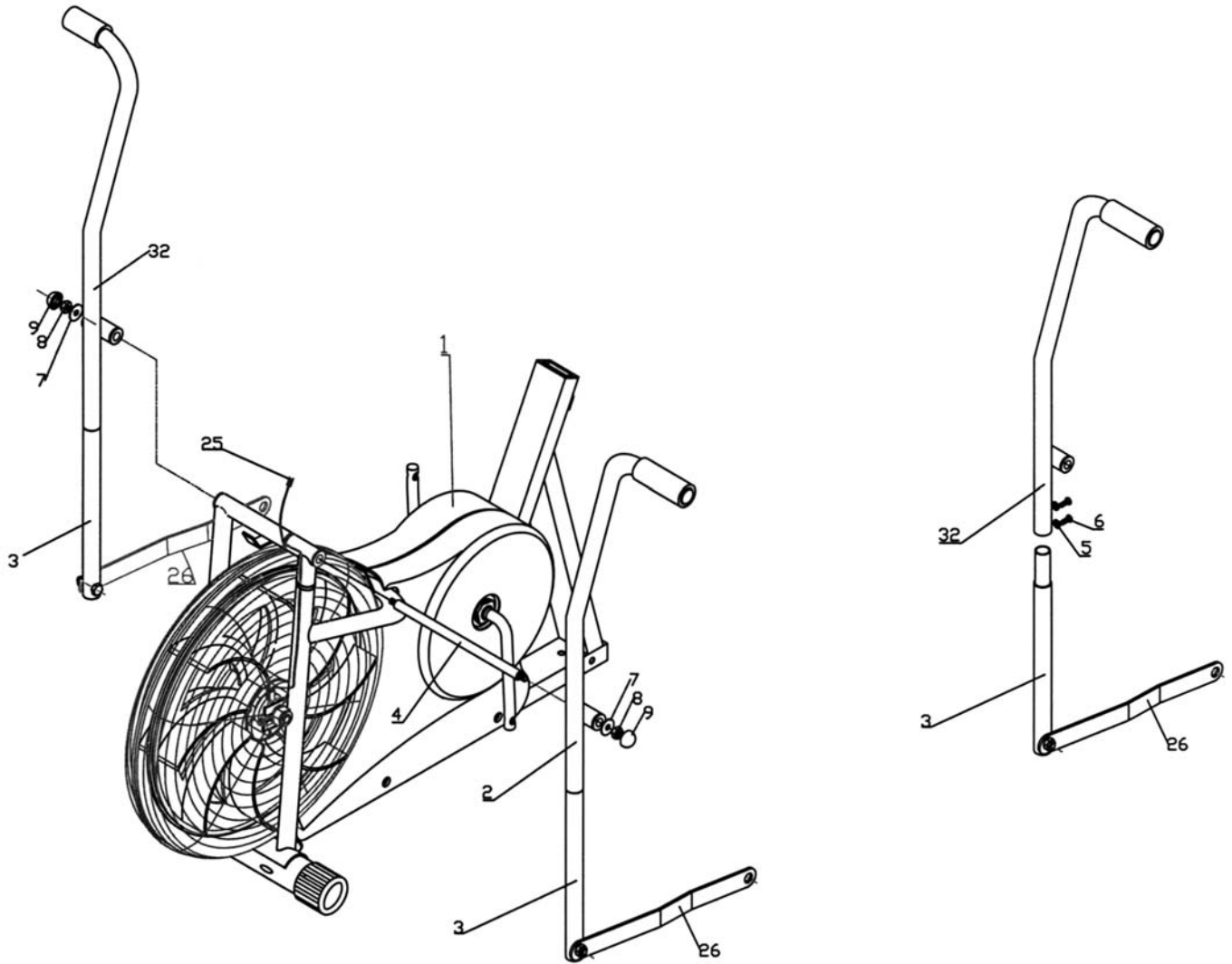
**Diagram 1**



**STEP 2 (See Diagram 2)**

- A.) Insert the Axle (# 4) into the Pivot on the Main Frame (#1). Attach the Left and Right Handlebars (#2) & (#32) onto the Axle from both sides. Secure the Axle with two  $\varnothing 7/8$ " Washers (#7) and M8 Nylon Nuts (#8). Close both ends with two Axle End Caps (#9).
- B.) Insert the Lower Handlebar (#3) into the Left Handlebar (#2). Secure it with two M6 x 5/8" Allen Bolts (#6) and  $\varnothing 1/2$ " Flat Washers (#5). Repeat same procedure to install the other side.

**DIAGRAM 2**

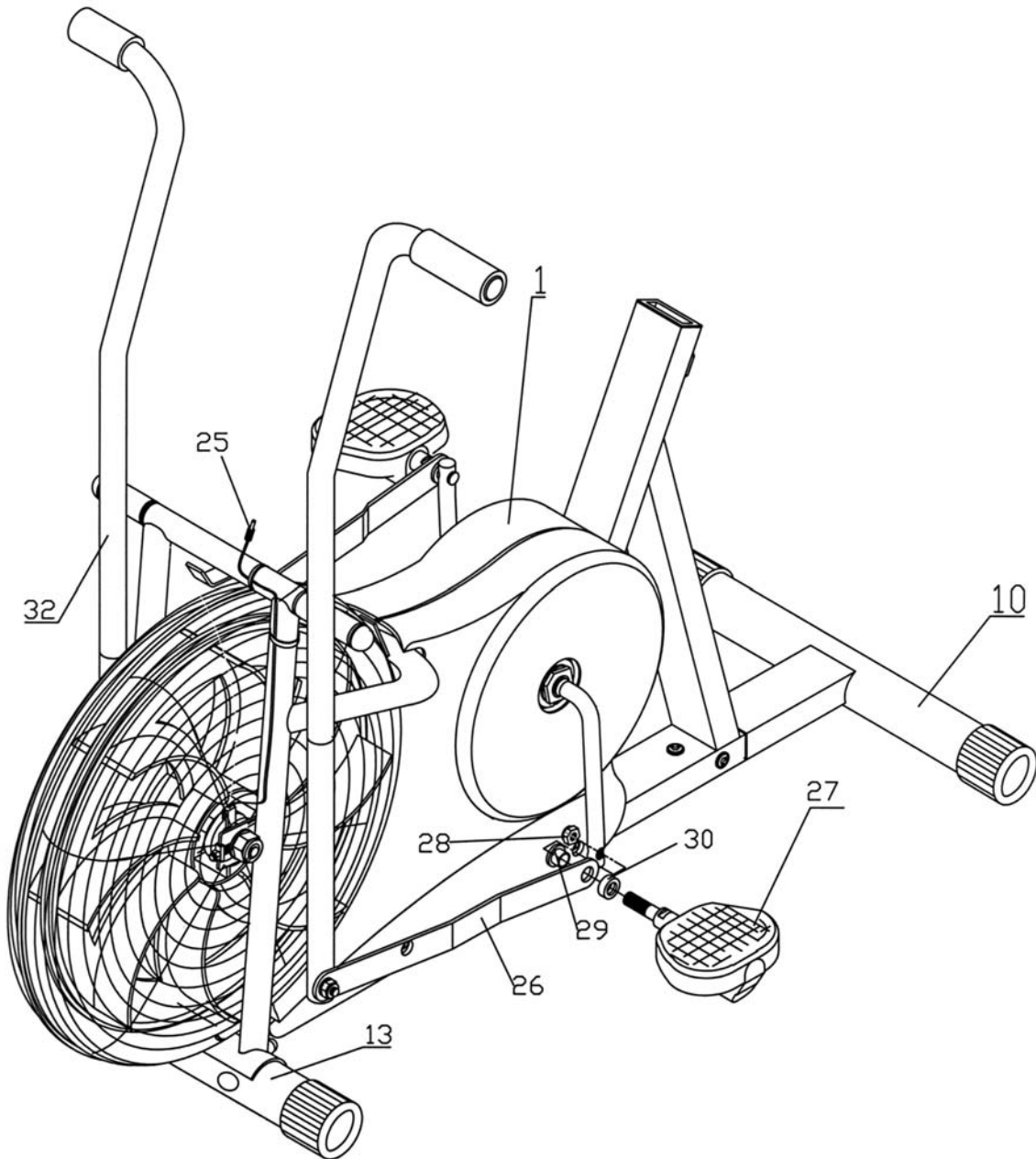


**STEP 3 (See Diagram 3)**

A.) Attach the Connecting Rod (#26) on the Lower Handlebar to the Crank. Align the hole. Insert a Bushing (#29) into the hole on the Rod. Attach a Spacer (#30) to the Bushing. Then insert the Left Pedal (#27) through the Rod into the Crank. Secure the Pedal with a  $\varnothing 1/2$ " Nylon Nut (#28).

B.) Repeat the above procedure (A) to install the other side.

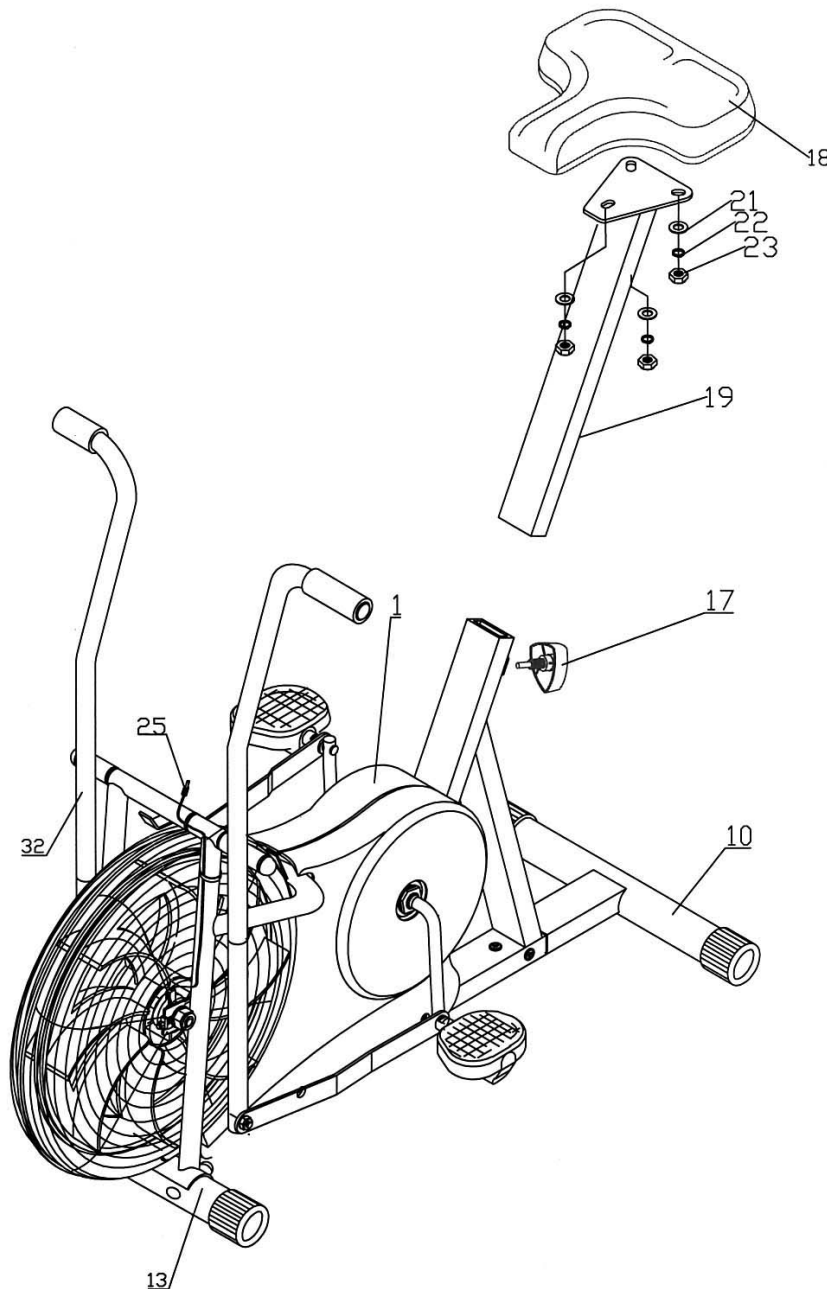
**DIAGRAM 3**



**STEP 4 (See Diagram 4)**

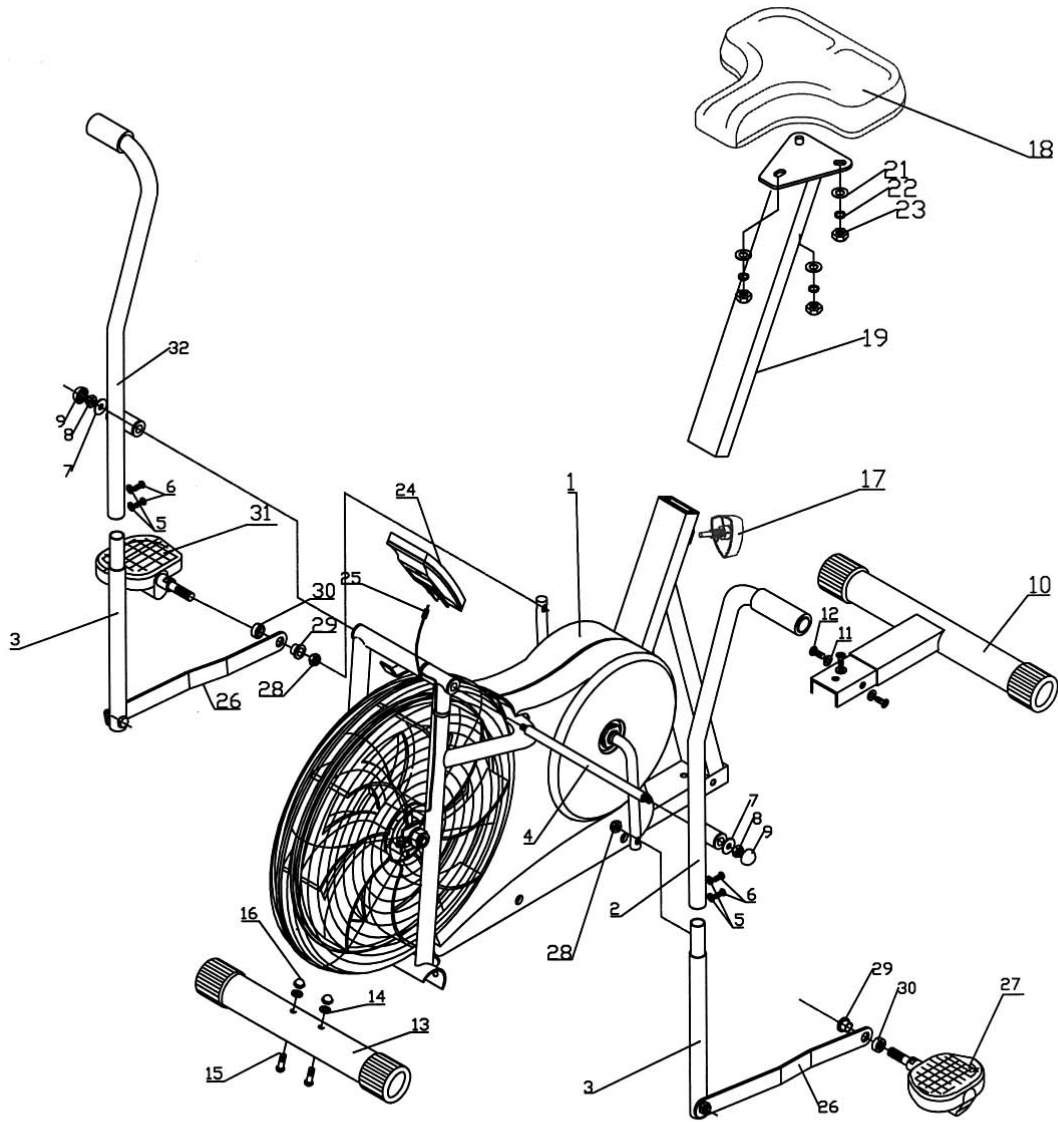
- A.) Attach the Seat (#18) to the Seat Post (#19). Secure it with three  $\varnothing$  5/8" Washers (#21), Spring Washers (#22), and M8 Nylon Nuts (#23).
- B.) Insert the Seat Post into the opening on the Main Frame (#1). Select the Seat height and secure it with a Lock Knob (#17).
- C.) Attach the Computer (#24) onto the computer holder on the Main Frame. Plug the Computer Sensor Wire (#25) into the Computer.

**DIAGRAM 4**





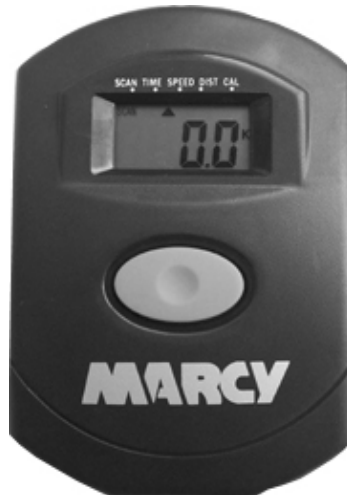
# EXPLODED DIAGRAM



## PARTS LIST

KEY NO.	DESCRIPTION	QUANTITY
1	Main Frame	1
2	Left Handlebar	1
3	Lower Handlebar	2
4	Axle	1
5	Ø 1/2" Flat Washer	4
6	M6 x 5/8" Allen Bolt	4
7	Ø 7/8" Washer	2
8	M8 Nylon Nut	2
9	Axle End Cap	2
10	Rear Stabilizer	1
11	Ø 5/8" Washer	3
12	M8 x 5/8" Allen Bolt	3
13	Front Stabilizer	1
14	Ø 5/8" Bent Washer	2
15	M8 x 2 1/2" Carriage Bolt	2
16	M8 Acorn Nut	2
17	Lock Knob	1
18	Seat	1
19	Seat Post	1
20	Manual	1
21	Ø 5/8" Washer	3
22	Ø 1/2" Washer	3
23	M8 Nylon Nut	3
24	Computer	1
25	Computer Sensor Wire	1
26	Connecting Rod	2
27	Left Pedal	1
28	Ø1/2" Nylon Nut	2
29	Bushing	2
30	Spacer	2
31	Right Pedal	1
32	Right Handler	1

# COMPUTER



**Press “MODE” on Computer to select each function.**

## **Functions:**

- **Scan:** Automatically scan through each mode in sequence every 6 seconds.
  - **Speed:** Shows the current speed up to 99.9 Miles/Hr.
  - **Distance:** Accumulates pedaled distance up to 99.99 miles from zero.
  - **Time:** Accumulates total time up to 99:59.
  - **Calories:** Accumulates calories consumption during exercise; max value is 9999 Cal.
1. The computer will automatically shut off after 4 minutes when not in use.
  2. To start the computer press “Mode” or start pedaling.
  3. The Computer uses 1 AAA battery.
  4. To reset the computer, press and hold down “MODE” for three (3) seconds.
  5. When battery is removed, all the function values will be reset to zero.

## **Note:**

**This data is a rough guide for comparison of different exercise sessions and cannot be used in medical treatment.**

# ***IMPEX INC.***

## **LIMITED WARRANTY**

IMPEX Inc. ("IMPEX") warrants this product to be free from defects in workmanship and material, under normal use and service conditions, for a period of two years on the Frame from the date of purchase. This warranty extends only to the original purchaser. IMPEX's obligation under this Warranty is limited to replacing or repairing, at IMPEX's option.

All returns must be pre-authorized by IMPEX. Pre-authorization may be obtained by calling IMPEX Customer Service Department at 1-800-999-8899. All freights on products returned to IMPEX must be prepaid by the customer. This warranty does not extend to any product or damage to a product caused by or attributable to freight damage, abuse, misuse, improper or abnormal usage or repairs not provided by an IMPEX authorized service center or for products used for commercial or rental purposes. No other warranty beyond that specifically set forth above is authorized by IMPEX.

IMPEX is not responsible or liable for indirect, special or consequential damages arising out of or in connection with the use or performance of the product or other damages with respect to any economic loss, loss of property, loss of revenues or profits, loss of enjoyments or use, costs of removal, installation or other consequential damages or whatsoever natures. Some states do not allow the exclusion or limitation of incidental or consequential damages. Accordingly, the above limitation may not apply to you.

The warranty extended hereunder is in lieu of any and all other warranties and any implied warranties of merchantability or fitness for a particular purpose is limited in its scope and duration to the terms set forth herein. Some states do not allow limitations on how long an implied warranty lasts. Accordingly, the above limitation may not apply to you.

This warranty gives you specific legal right. You may also have other rights which vary from state to state. **Register on-line [www.impex-fitness.com](http://www.impex-fitness.com)**

**IMPEX INC.  
2801 S. Towne Ave.  
Pomona, CA 91766**

### **ORDERING REPLACEMENT PARTS**

Replacement parts can be ordered by calling our Customer Service Department toll-free at **1-800-999-8899** during our regular business hours: Monday through Friday, 9 am until 5 pm Pacific standard time.

**[info@impex-fitness.com](mailto:info@impex-fitness.com)**

When ordering replacement parts, always give the following information.

1. Model
2. Description of Parts
3. Part Number
4. Date of Purchase