

NOTE:
Please read all instructions
carefully before using this
product

Table of Contents

Safety Notice

Hardware Pack

Assembly Instruction

Parts List

Warranty

Ordering Parts

Model
AIR-1

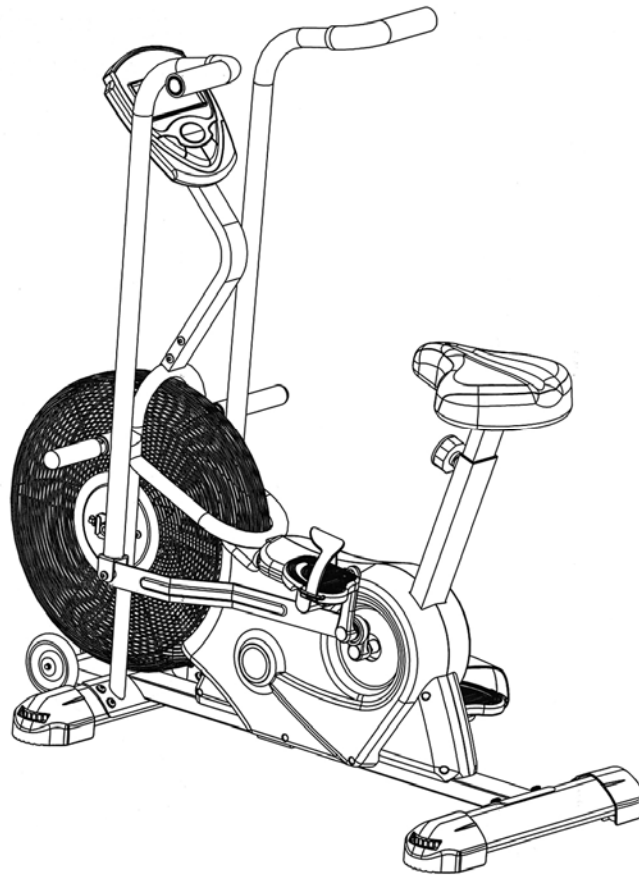
Retain This
Manual for
Reference

110415

ASSEMBLY &
OWNER'S
MANUAL

BODYFIT
BY SPORTS AUTHORITY®

Deluxe Fan Bike BFA-2800



IMPEX® INC.

14777 DON JULIAN RD., CITY OF INDUSTRY, CA 91746

Tel: (800) 999-8899 Fax: (626) 961-9966

www.impex-fitness.com

info@impex-fitness.com

TABLE OF CONTENTS

BEFORE YOU BEGIN.....	1
IMPORTANT SAFETY NOTICES.....	2
WARNING LABEL PLACEMENT.....	3
HARDWARE PACK.....	4
ASSEMBLY INSTRUCTIONS.....	6
EXPLODED DIAGRAM.....	16
PARTS LIST.....	17
CARE, MAINTENANCE, AND STORAGE.....	18
OPERATING NOTES.....	19
COMPUTER.....	20
WARRANTY.....	21
ORDERING PARTS.....	21

BEFORE YOU BEGIN

Thank you for selecting the BODY FIT Deluxe Fan Bike BFA-2800 by IMPEX[®] INC. For your safety and benefit, read this manual carefully before using the bike. As a manufacturer, we are committed to provide you complete customer satisfaction. If you have any questions, or find there are missing or damaged parts, we guarantee you complete satisfaction through direct assistance from our factory. To avoid unnecessary delays, *please call our TOLL-FREE customer service number*. Our Customer Service Agents will provide immediate assistance to you.

Toll-Free Customer Service Number

1-800-999-8899

Mon. - Fri. 9 a.m. - 5 p.m. PST

www.impex-fitness.com

info@impex-fitness.com

IMPORTANT SAFETY NOTICE

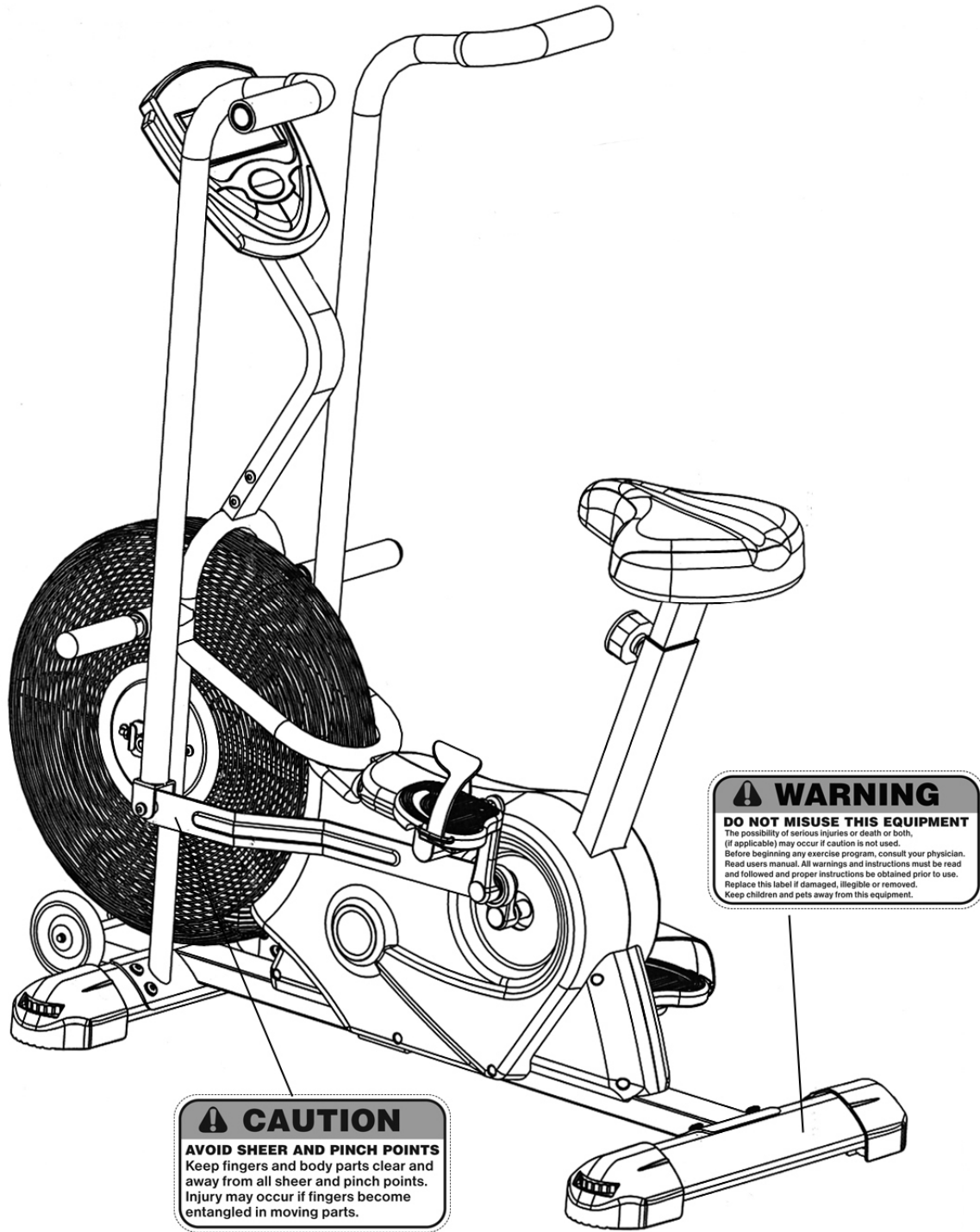
PRECAUTIONS

This exercise machine is built for optimum safety. However, certain precautions apply whenever you operate a piece of exercise equipment. Be sure to read the entire manual before you assemble or operate your machine. In particular, note the following safety precautions:

1. **Keep children and pets away from the machine at all times. DO NOT leave children unattended in the same room with the machine.**
2. Only one person at a time should use the machine.
3. If the user experiences dizziness, nausea, chest pain, or any other abnormal symptoms, STOP the workout at once. CONSULT A PHYSICIAN IMMEDIATELY.
4. Position the machine on a clear, leveled surface. DO NOT use the machine near water or outdoors.
5. Keep hands away from all moving parts.
6. Always wear appropriate workout clothing when exercising. DO NOT wear robes or other clothing that could become caught in the machine. Running or aerobic shoes are also required when using the machine.
7. Use the machine only for its intended use as described in this manual. DO NOT use attachments not recommended by the manufacturer.
8. Do not place any sharp object around the machine.
9. Disabled person should not use the machine without a qualified person or physician in attendance.
10. Before using the machine to exercise, always do stretching exercises to properly warm up.
11. Never operate the machine if the machine is not functioning properly.
12. Read all warnings posted on the exercise bike.
13. Inspect the exercise bike for worn or loose component prior to use. Tighten/replace any loose or wore components prior to use.
14. Care should be taken in mounting or dismounting the exercise bike.
15. **This exercise bike is for consumer and home use only.**

WARNING: BEFORE BEGINNING ANY EXERCISE PROGRAM, CONSULT YOUR PHYSICIAN. THIS IS ESPECIALLY IMPORTANT FOR INDIVIDUALS OVER THE AGE OF 35 OR PERSONS WITH PRE-EXISTING HEALTH PROBLEMS. READ ALL INSTRUCTIONS BEFORE USING ANY FITNESS EQUIPMENT. IMPEX INC. ASSUMES NO RESPONSIBILITY FOR PERSONAL INJURY OR PROPERTY DAMAGE SUSTAINED BY OR THROUGH THE USE OF THIS PRODUCT. SAVE THESE INSTRUCTIONS.

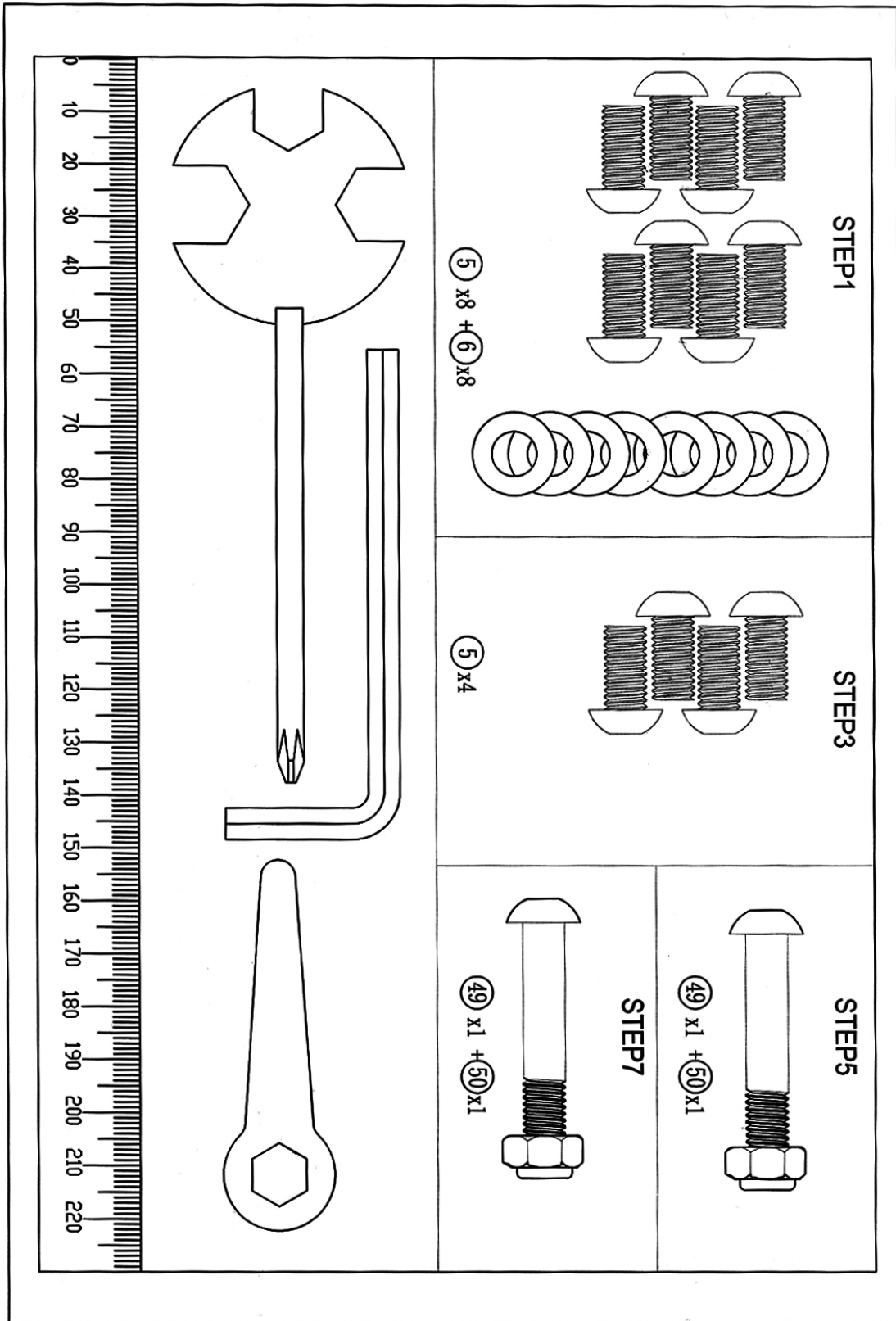
WARNING LABEL PLACEMENT



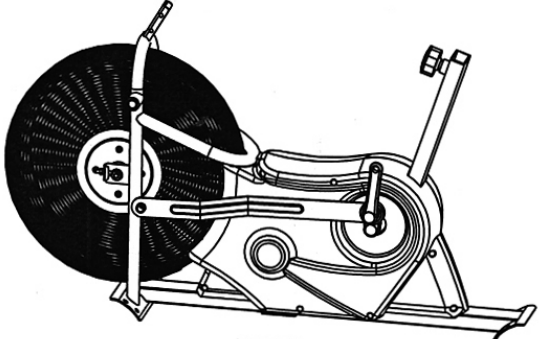
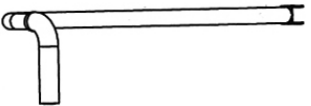

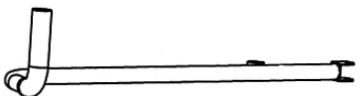





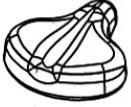
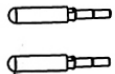
The Warning Labels and Caution Label shown here have been placed on the Rear Stabilizer, Main Frame. If the labels are missing or illegible, please call customer service at 1-800-999-8899 for replacement. Apply the labels in location shown.

HARDWARE PACK

NOTE: The following parts are not drawn to scale. Please use your own ruler to measure the size.



COMPONENTS FOR ASSEMBLY

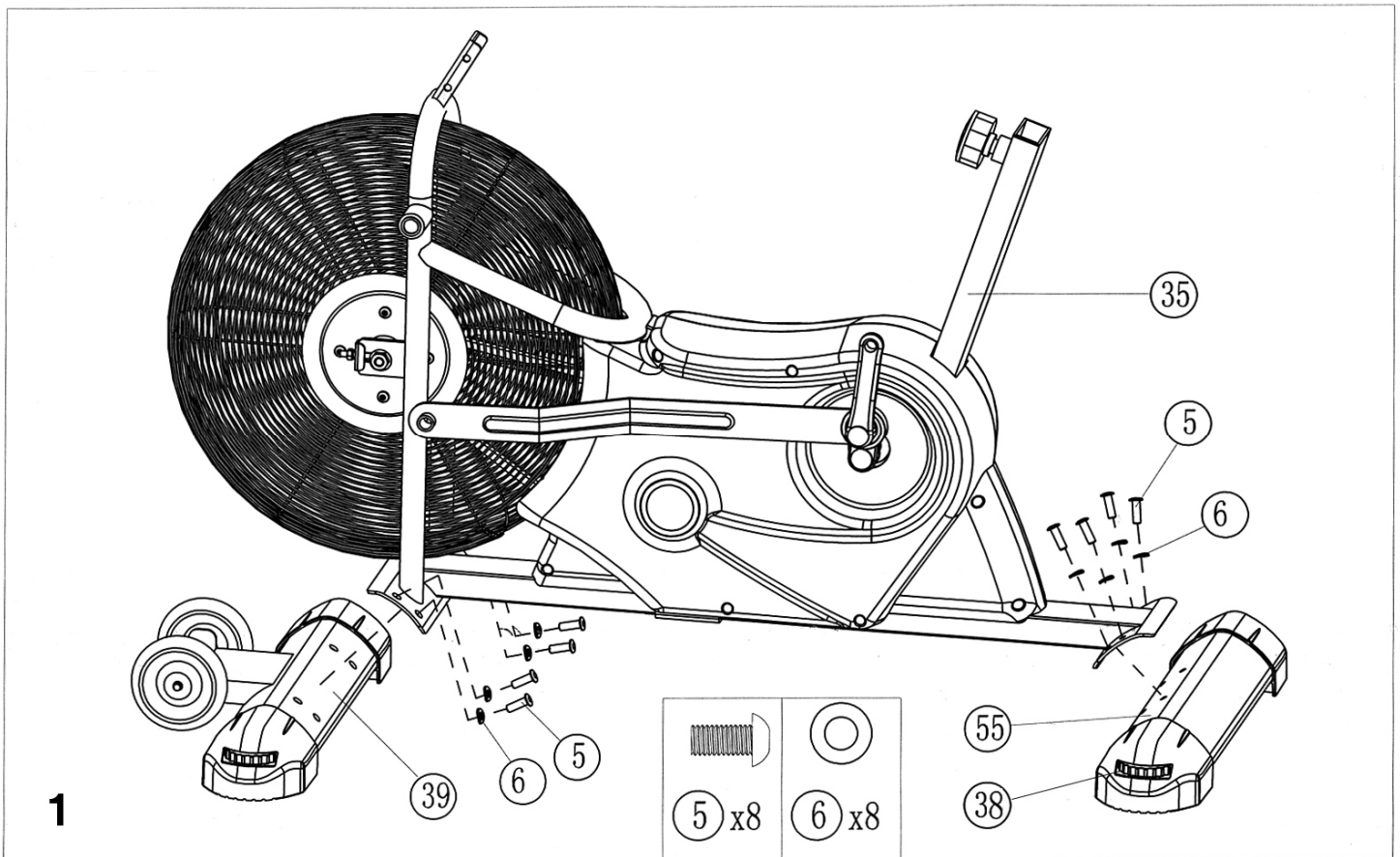
 <p>#35</p>	1	 <p>#30L</p>	1
 <p>#39</p>	1	 <p>#30R</p>	1
 <p>#55</p>	1	 <p>#41L/R</p>	1
 <p>#1</p>	1	 <p>#34</p>	1
 <p>#4</p>	1	 <p>#31</p>	1
 <p>#28</p>	2		

ASSEMBLY INSTRUCTION

- **Tools Required For Assembling the Machine: One Crossing Wrench and Allen Wrench, provided by manufacturer.**
- **NOTE: It is strongly recommended that two or more people assemble this machine to avoid possible injury.**

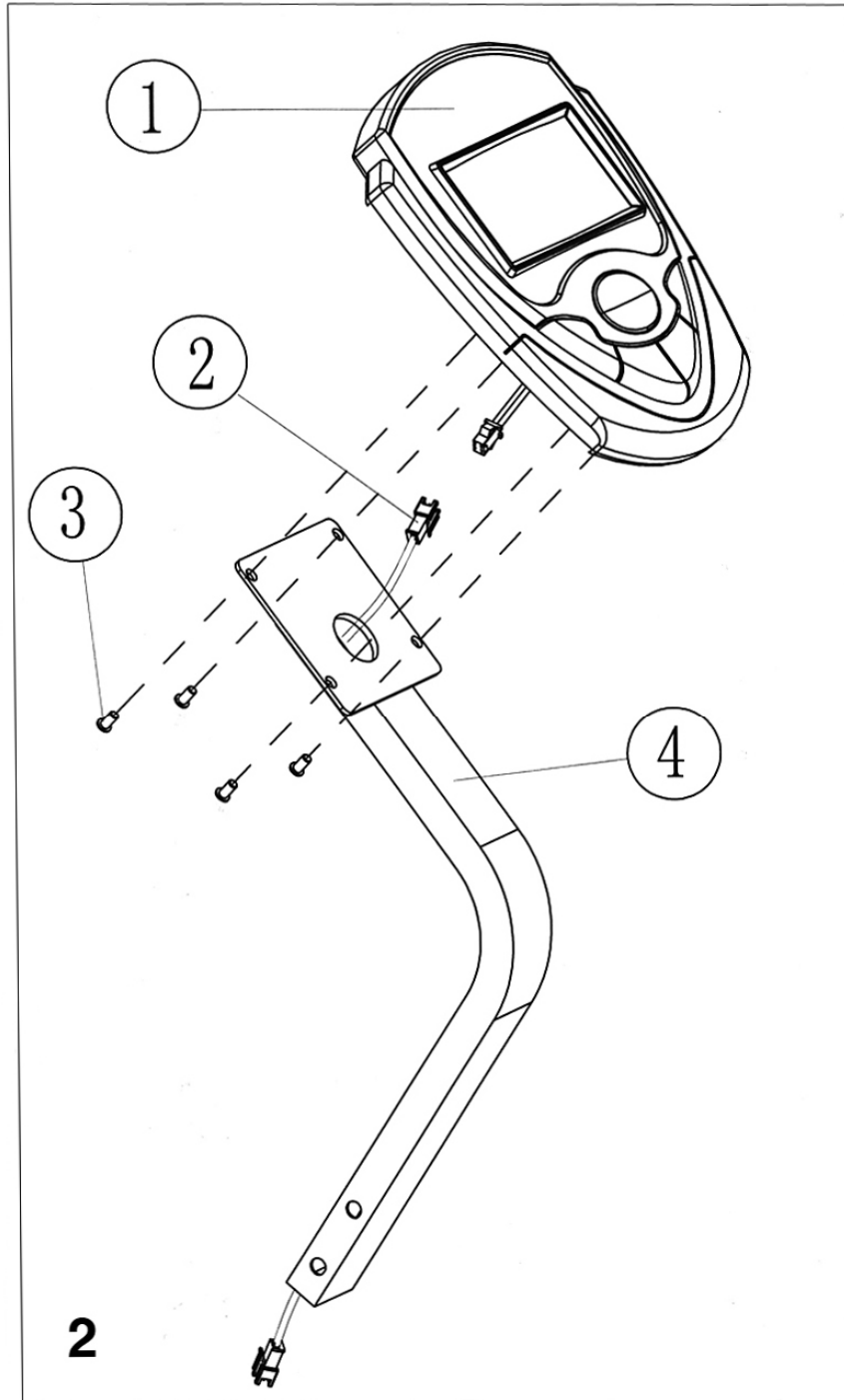
STEP-1

- Do not tighten Bolts until instructed to do so.**
- Attach the Front Stabilizer (#39) to the Main Frame (#35). Secure it with four M8 x 5/8" Allen Bolts (#5) and four \varnothing 5/8" Washers (#6).
- Attach the Rear Stabilizer (#55) to the Main Frame. Secure it with four M8 x 5/8" Allen Bolts (#5), and four \varnothing 5/8" Washers (#6).
- Securely tighten all Bolts.**
- Use the four Floor Level Adjustment Knobs (#38) to stabilize the Bike on floor.



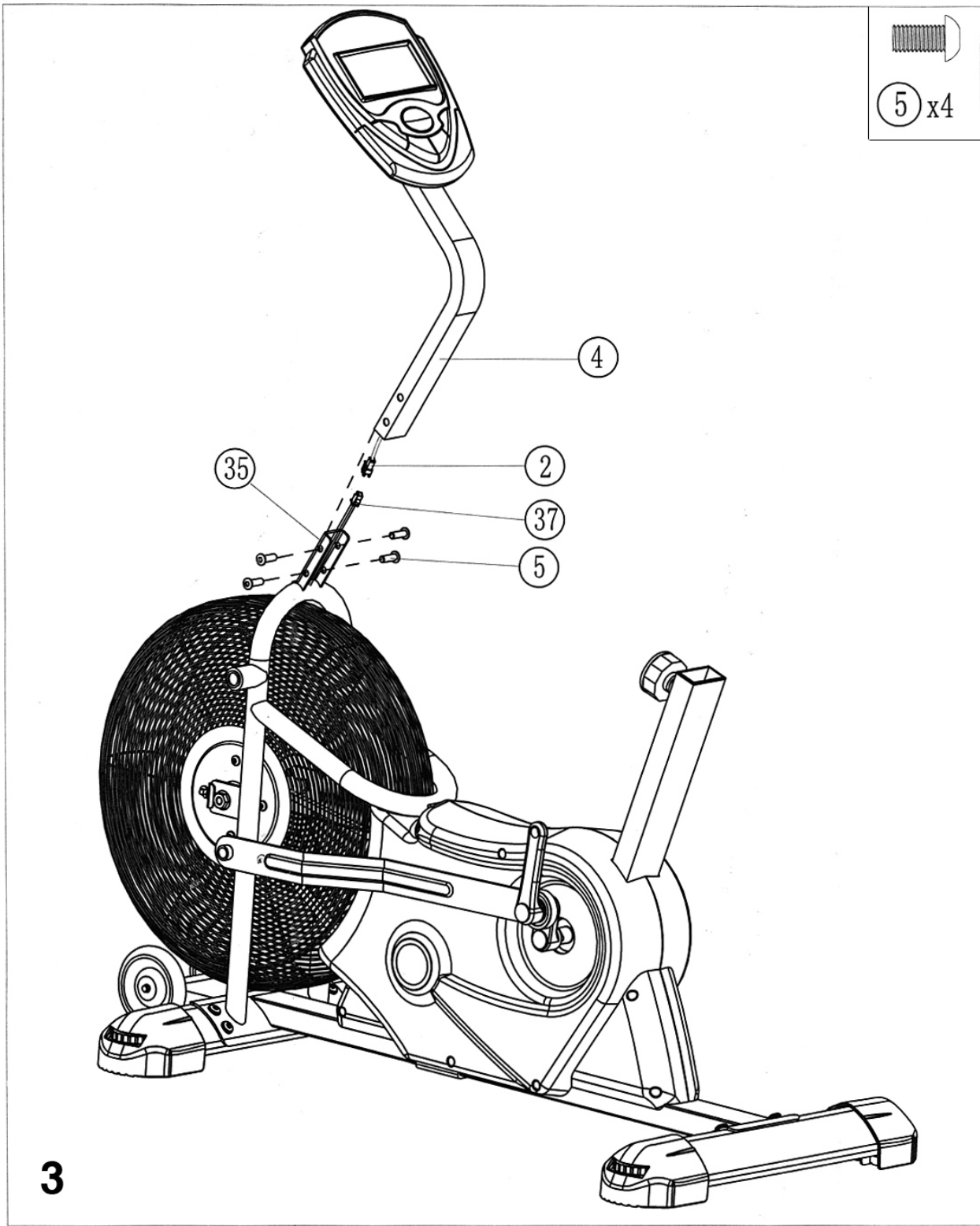
STEP 2

- A.) Connect the Upper Computer Wire (#2) from the Front Post to the Computer Wire from the Computer (#1).
- B.) Attach the Computer to the Front Post (#4). Secure it with four Computer Philips Screws (#3).



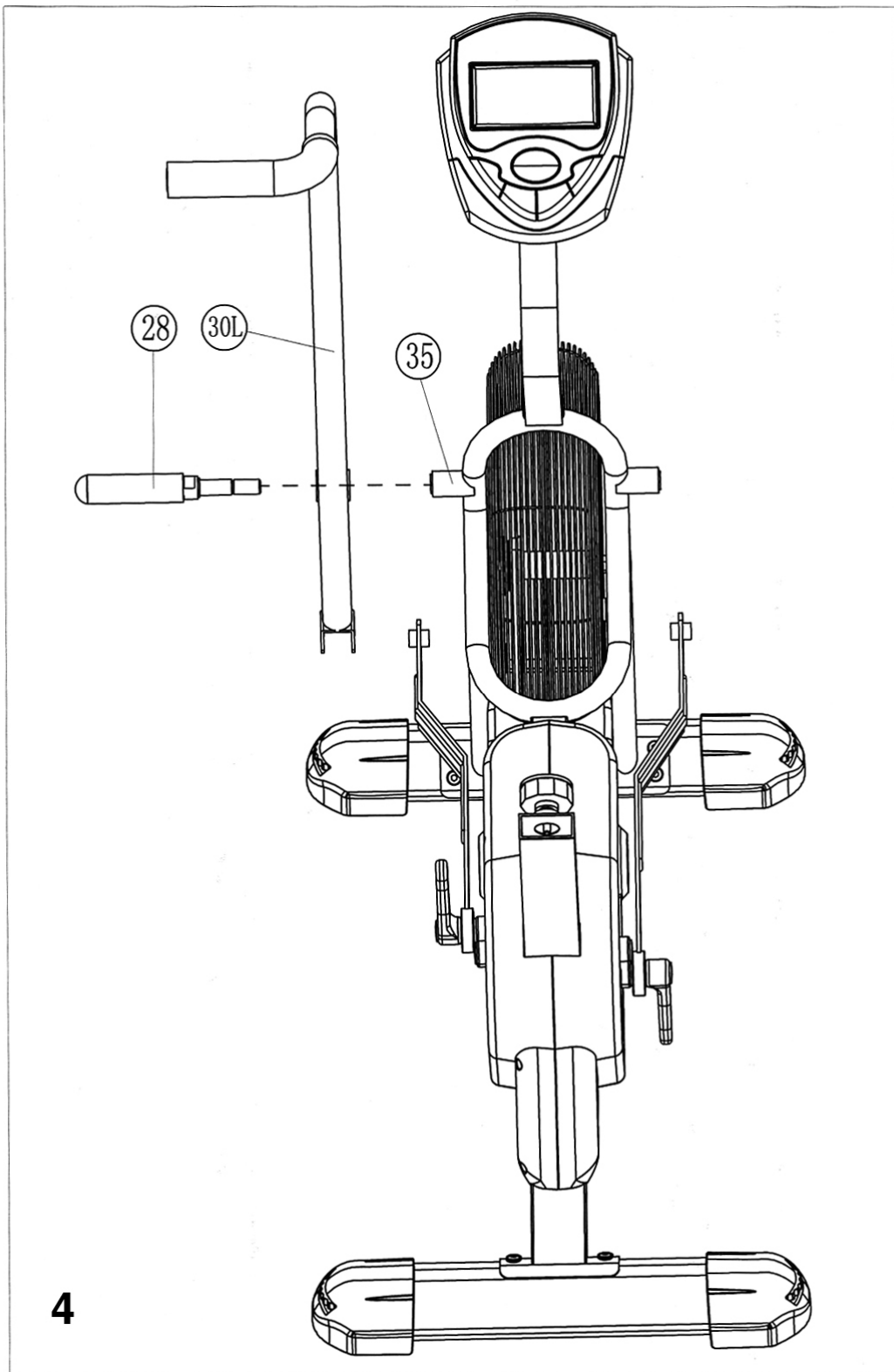
STEP 3

- A.) Connect the Lower Computer Wire (#37) from Main Frame (#35) to the Upper Computer Wire (#2) from Front Post (#4).
- B.) Attach the Front Post to the Main Frame. Secure it with four M8 x 5/8" Allen Bolts (#5).



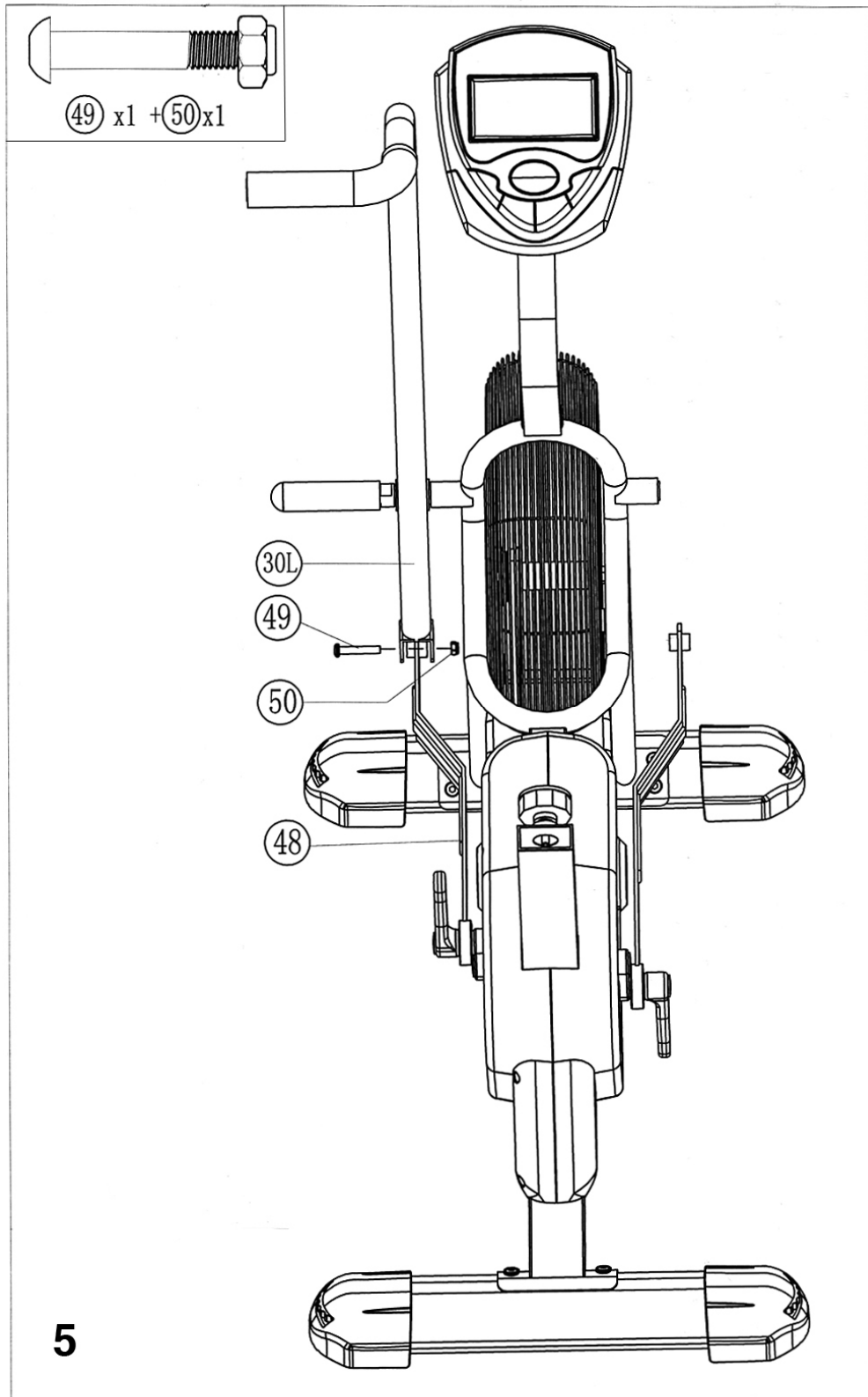
STEP 4

- A.) Attach the pivot on Left Swing Handle (#30L) to the pivot on Main Frame (#35).
- B.) Thread the Swing Handle Shaft (#28) through Left Swing Handle into Main Frame, and firmly secure them together.



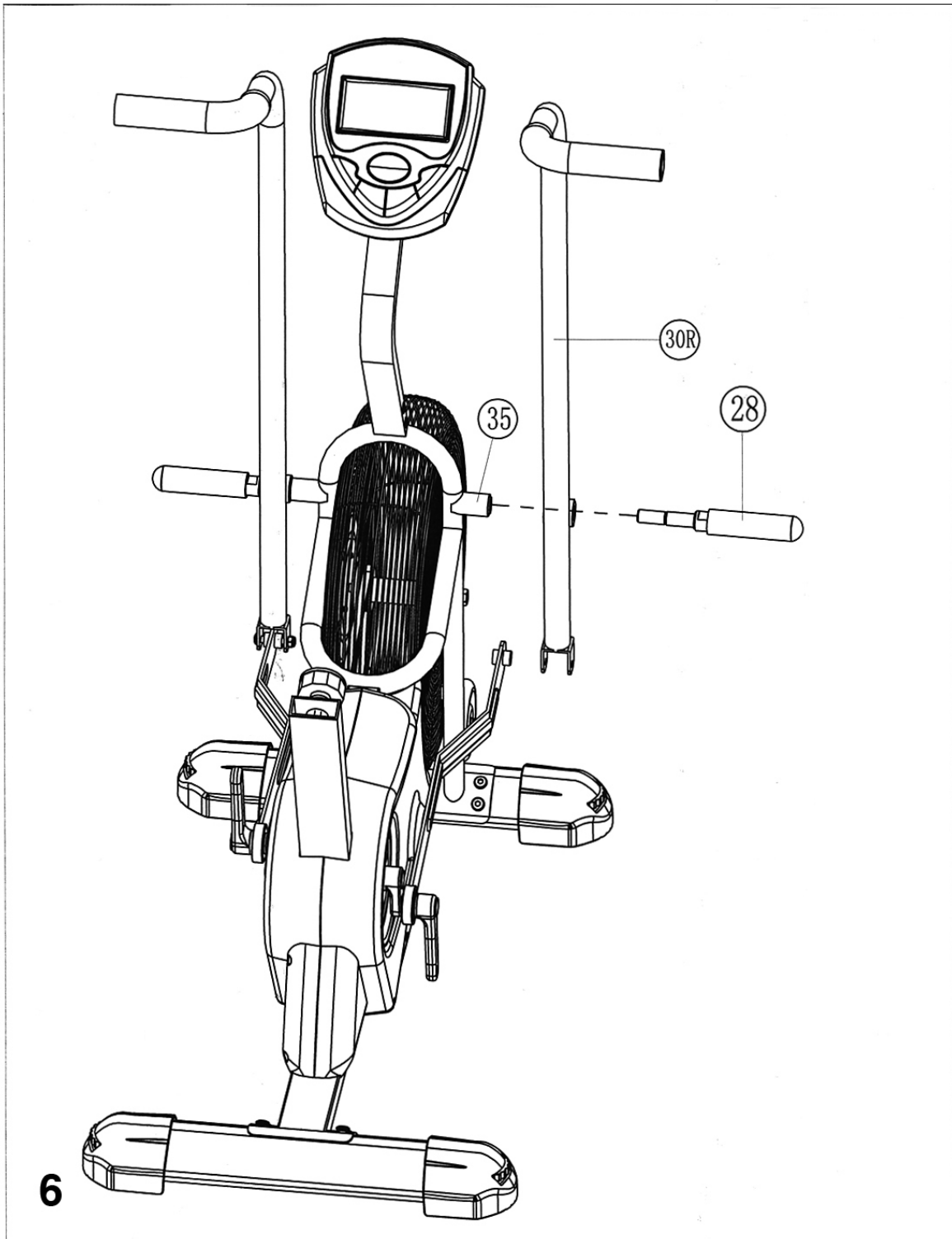
STEP 5

- A.) Attach the Swing Handle Connecting Rod (#48) to the open bracket on the bottom of the Left Swing Handle (#30L).
- B.) Secure them together with one M8 x 1 3/4" Allen Bolt (#49) and one M8 Aircraft Nut (#50).



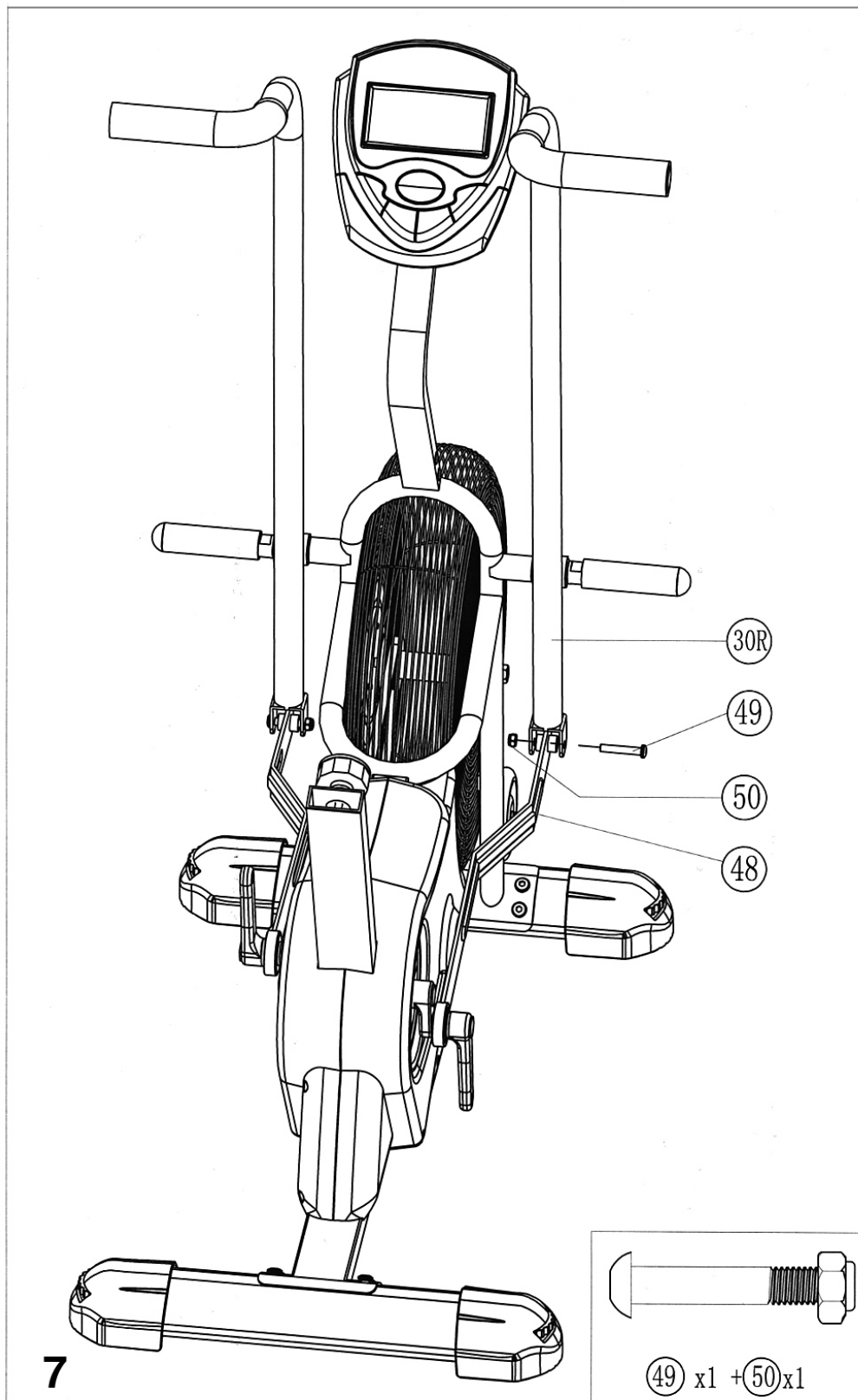
STEP 6

- A.) Attach the pivot on Right Swing Handle (#30R) to the pivot on Main Frame (#35).
- B.) Thread the Swing Handle Shaft (#28) through Right Swing Handle into Main Frame, and firmly secure them together.



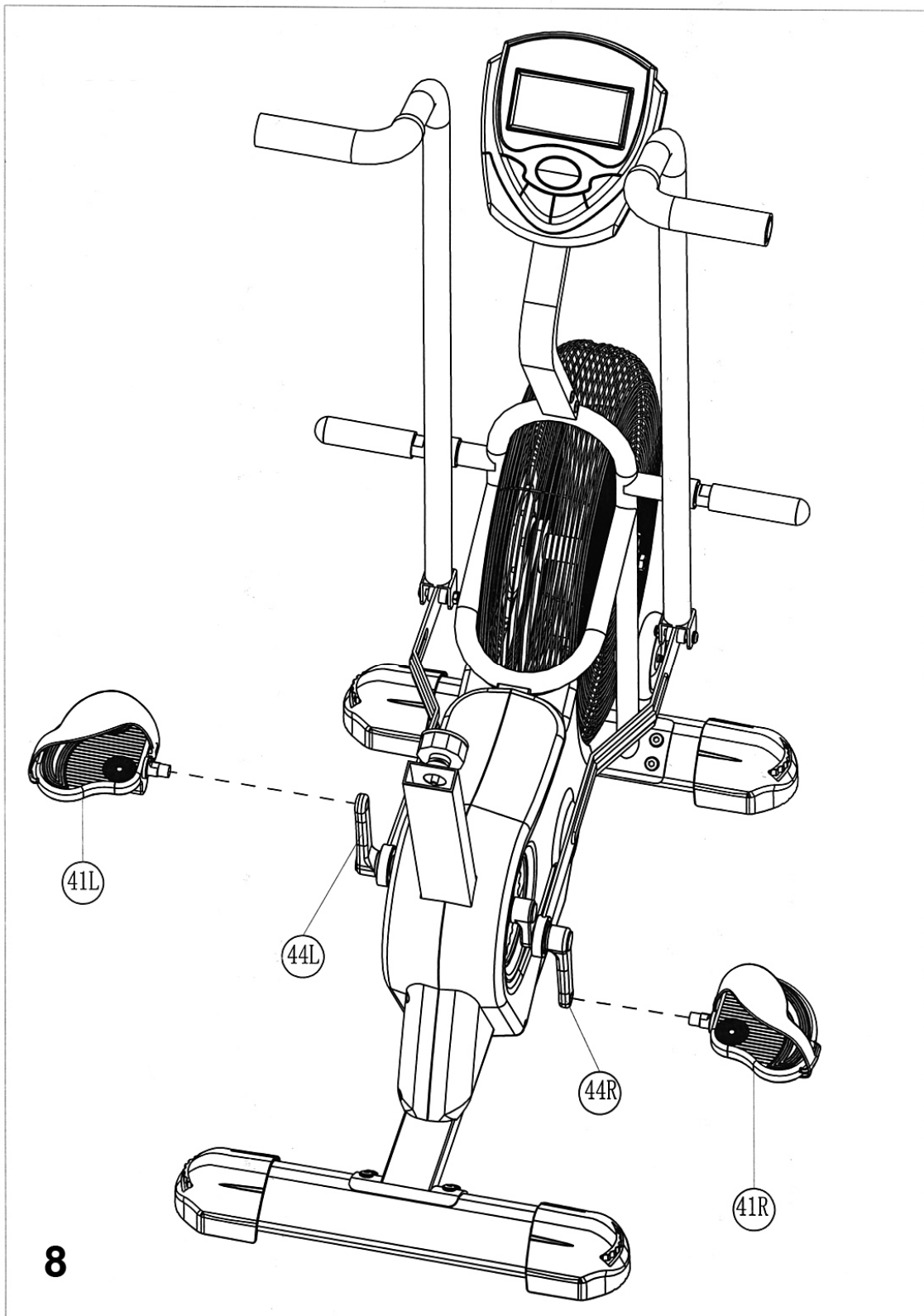
STEP-7

- A.) Attach the Swing Handle Connecting Rod (#48) to the open bracket on bottom of the Right Swing Handle (#30R).
- B.) Secure them together with one M8 x 1 3/4" Allen Bolt (#49) and one M8 Aircraft Nut (#50).



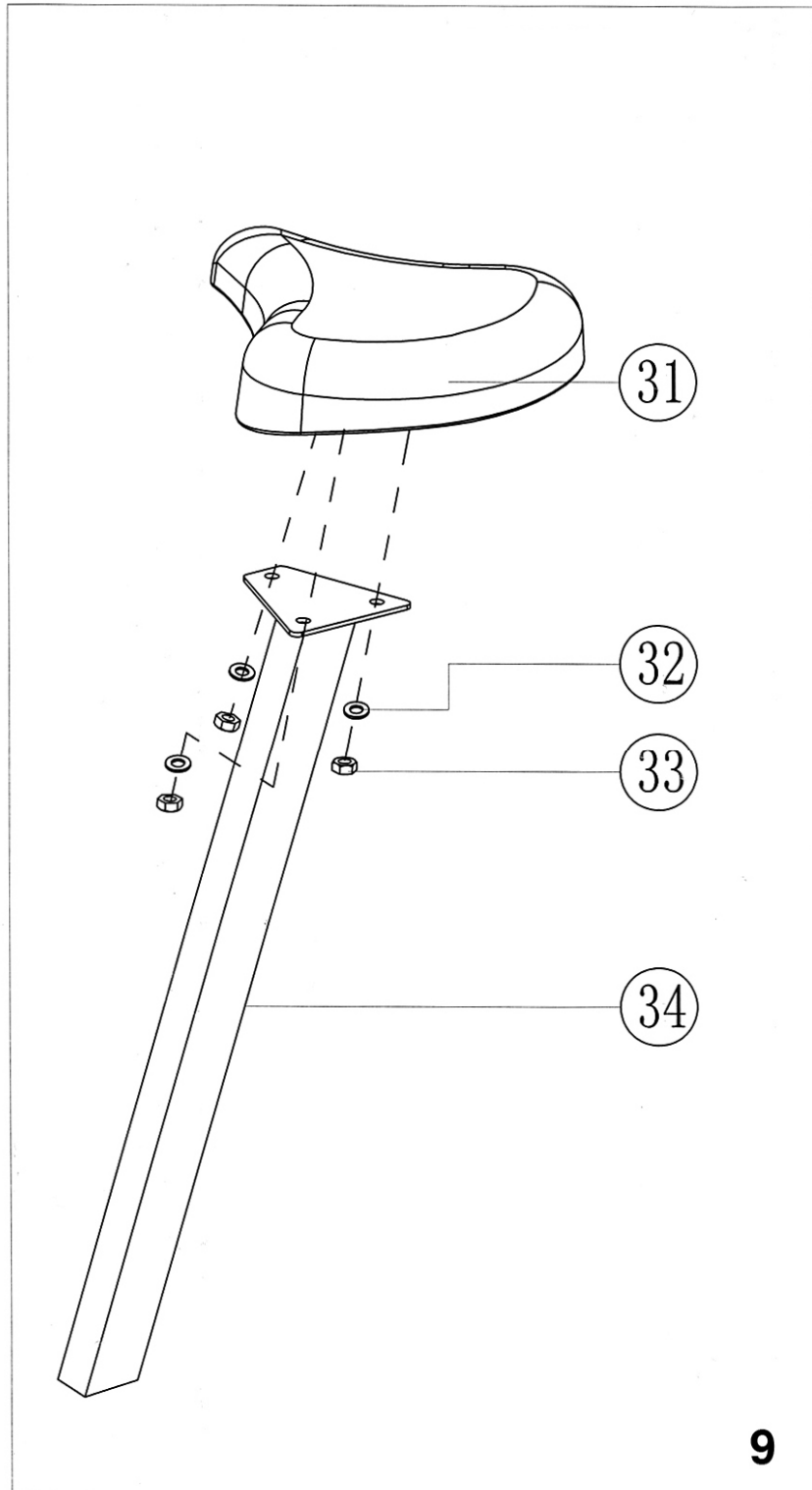
STEP-8

- A.) Thread the Left Pedal (#41L) counter clockwise into Left Crank (#44L).
- B.) Thread the Right Pedal (41R) clockwise into Right Crank (#44R).



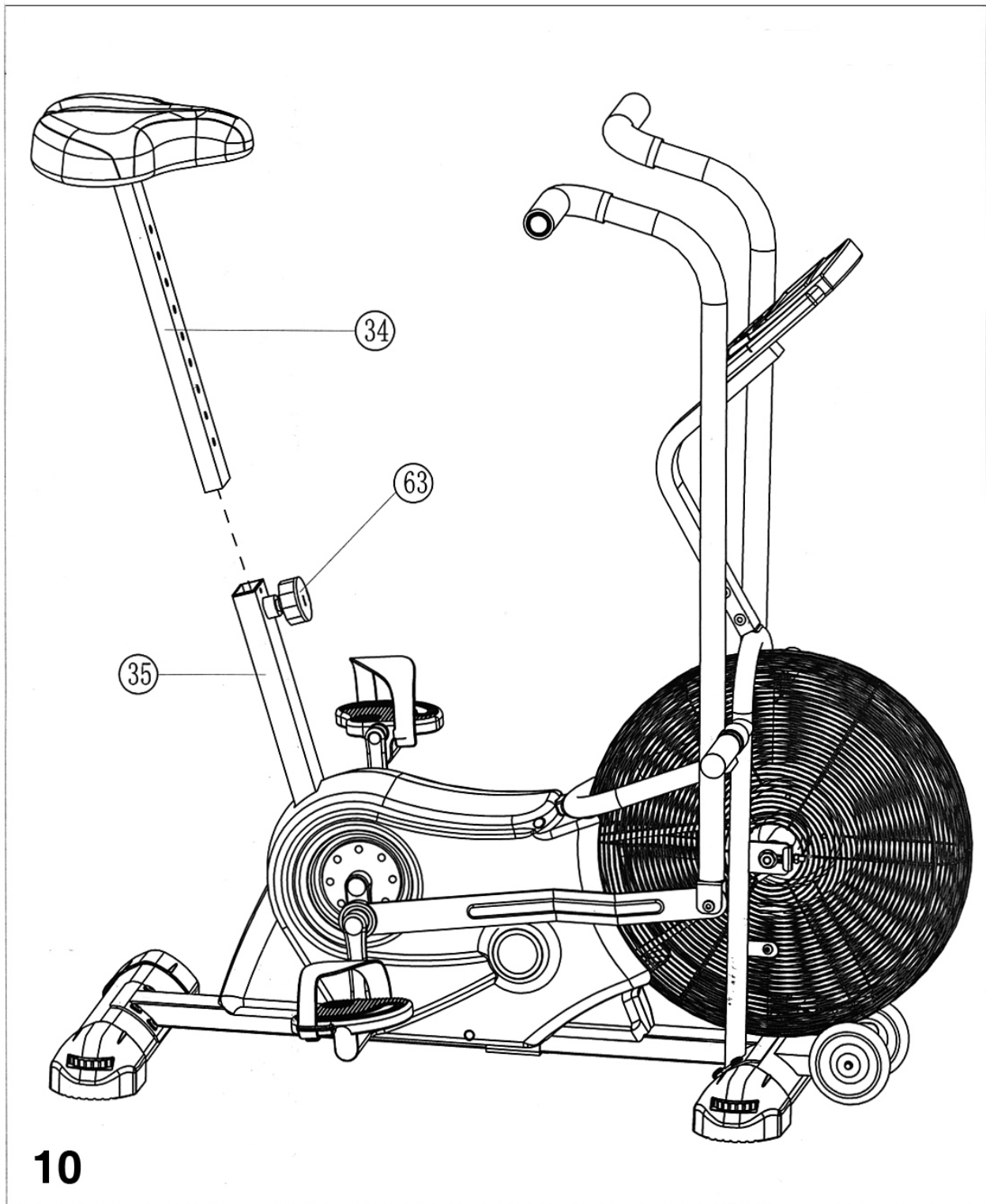
STEP-9

- A.) Remove the three $\text{\O} 5/8$ " Seat Flat Washers (#32) and M8 Seat Aircraft Nut (#33) from the Seat Pad (#31).
- B.) Attach the Seat Pad to the Seat Post (#34). Secure it with the three $\text{\O} 5/8$ " Seat Flat Washers (#32) and M8 Seat Aircraft Nut (#33) from the Seat Pad (#31).

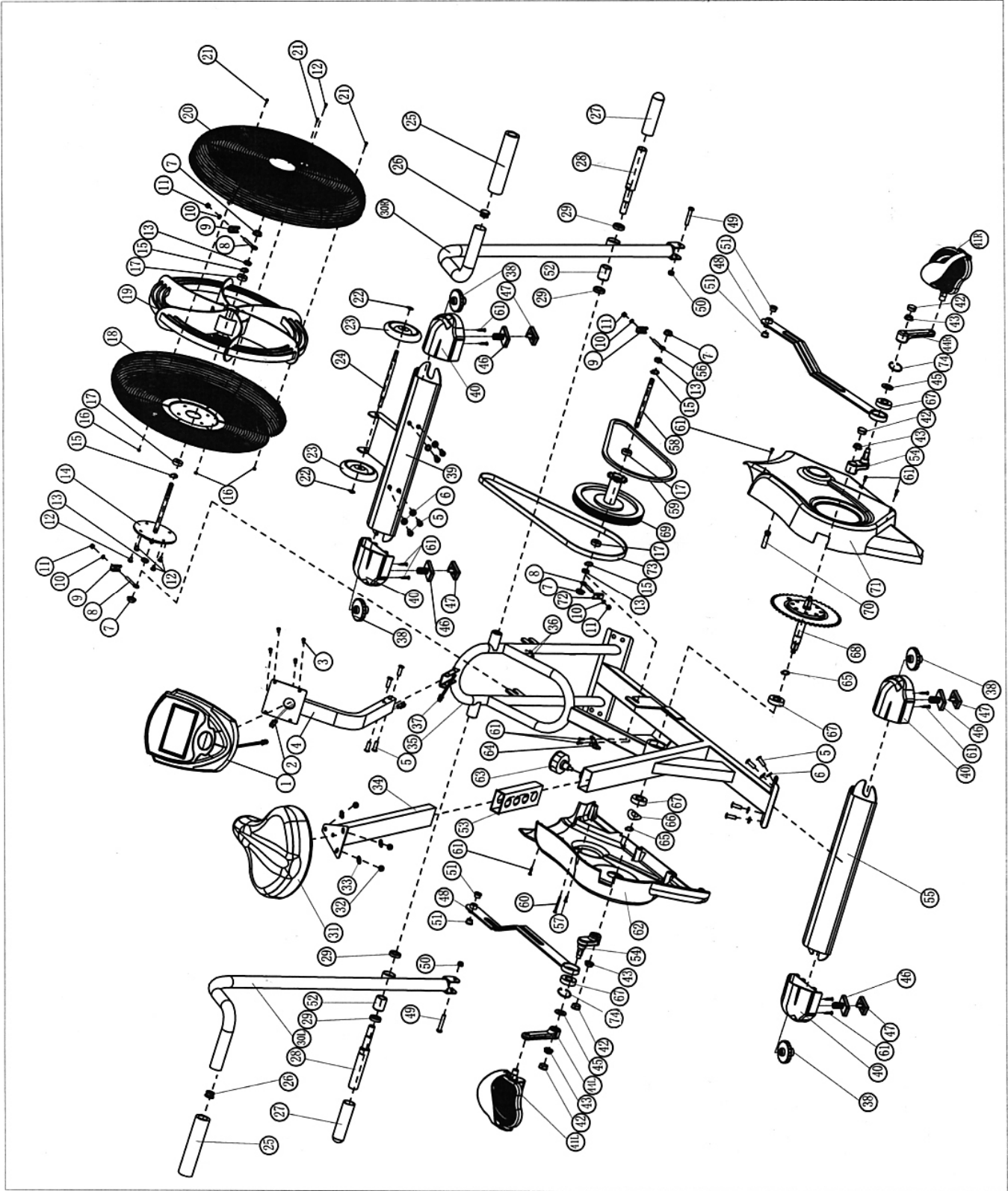


STEP-10

- A.) Insert the Seat Post (#34) into the opening one Main Frame (#35).
- B.) Thread the Lock Knob (#63) through the hole on Seat Post to securely hold it at desired height.



EXPLODED DIAGRAM



PARTS LIST

PART NO.	DESCRIPTION	SPEC.	QUANTITY
1	Computer	TZ-2119	1
2	Upper Computer Wire		1
3	Computer Philips Screw		4
4	Front Post		1
5	Allen Bolt	M8 x 5/8"	12
6	Washer	Ø 5/8"	8
7	Hex Flange Nut	M10 Zinc Plated	4
8	Locking Bolt	M6 x 2 3/8"	3
9	U-shaped Plate		3
10	Lock Washer	Ø 1/2"	4
11	Hex Nut	M6	4
12	Philips Screw	M6 x 1/2"	5
13	Hex Thin Nut	M10	4
14	Fly Wheel Shaft		1
15	Axle Locking Ring	Ø 3/4"	4
16	Aircraft Nut	M5	3
17	Bearing	6000Z	4
18	Left Cover Net		1
19	Plastic Wheel		1
20	Right Cover Net		1
21	Philips Screw	M5 x 3/8"	3
22	C Ring	Ø 5/8"	2
23	Transportation Roller Wheel		2
24	Roller Wheel Shaft		1
25	Foam Grip	9" Foam Grip	2
26	End Cap	Ø 1 1/4"	2
27	Handle Bar Grip	4 3/4"	2
28	Swing Handle Shaft		2
29	Bearing	6903ZZ	4
30L	Left Swing Handle		1
30R	Right Swing Handle		1
31	Seat Pad		1
32	Seat Flat Washer	Ø 5/8"	3
33	Seat Aircraft Nut	M8	3
34	Seat Post		1
35	Main Frame		1
36	Computer Wire Connector		2
37	Lower Computer Wire		1

38	Floor Level Adjustment Knob		4
39	Front Stabilizer		1
40	Stabilizer End Cap		4
41L	Left Pedal		1
41R	Right Pedal		1
42	Nut Cap		4
43	Hex Flange Nut	M10	4
44L	Left Crank		1
44R	Right Crank		1
45	Nylon Washer	Ø 1 1/8" x 1/4"	2
46	Stabilizer Leverage Knob		4
47	Leverage Knob Plastic Pad		4
48	Swing Handle Connecting Rod		2
49	Allen Bolt	M8 x 1 3/4"	2
50	Aircraft Nut	M8	2
51	Plastic Bushing	Ø 5/8" x 1/2"	4
52	Sleeve	Ø 7/8" x 7/8"	2
53	Sleeve	2 3/8" x 1 1/8"	1
54	Crank Connector		2
55	Rear Stabilizer		1
56	Locking Bolt	M6	1
57	Philips Tapping Screw	ST4.2 x 3/4"	3
58	Chain Wheel Axle		1
59	Chain		1
60	Pan Head Tapping Screw	ST4.2 x 2 3/8"	1
61	Pan Head Tapping Screw	ST4.2 x 3/4"	16
62	Left Shroud		1
63	Lock Knob		1
64	Sensor Holder		1
65	Axle Lock Ring	Ø 3/4"	2
66	Arc Washer	Ø 3/4"	1
67	Bearing	6004ZZ	4
68	Chain Plate Axle		1
69	Crank Wheel		1
70	Shroud Sleeve		1
71	Right Shroud		1
72	U-shaped Stopper		1
73	Belt		1
74	Locking Clip		2

CARE, MAINTENANCE AND STORAGE

1. Inspect and tighten all parts each time you use the machine. Replace any worn parts immediately.
2. The bike can be cleaned using a damp cloth and mild non-abrasive detergent. Do not use solvents.
3. Store the bike IN-DOOR. Excess moisture and water would cause rust on the frame.
4. The Bike shall be placed at least 24 inches away from the wall or/and any other object such as furniture to provide safe access to and passage around the machine.
5. To avoid possible injury, the help of two or more people are needed when moving the machine around.
6. Disposal Instructions – The equipment can be safely disassembled and disposed without unreasonable hazards. Call your local recycle agency regarding details of recycling.
7. **The maximum user weight is 300 lbs.**
8. **Assembled Dimension: 45" x 25" x 47.5"**

OPERATING NOTES

SEAT ADJUSTMENT

The seat height ranges from 29" to 41".

Loosen and pull out the Lock Knob. Slide the Seat Post to selected scale marked on the Seat Post, then release the Lock Knob and securely fasten the Knob to lock the Seat Post.

The seat height adjustment is in approximately 1 ½" increment.

TRANSPORT

The Bike has a pair of transport Roller Wheels on Front Stabilizer. To move, carefully tilt and roll.

COMPUTER



MODE

Press "MODE" button, will automatically scan Time, Speed, RPM, Distance, and Calories, for every 6 seconds.

Time	Display the elapsed time. Max value is up to 99:59.
Speed	Display the current speed in miles per hour.
RPM	Display repetition/min, Speed and RPM display will switch to each other every 6 seconds.
Distance	Display the distance traveled in Miles. Max value is 99.99 miles.
Calories	Display the calorie consumption in cal. Increment by 10 cal. Max value is 999 calories.

SET

1. To set up the hour, minute, year, month and date.
2. To set up the target value of Time, Distance and Calories.

RESET

1. Press the button to reset function value from previous setting.
2. Press the button and hold for 2 seconds to reset all value to zero.

When computer is in idle mode, the screen will display Calendar, Clock, and Temperature.

CALENDAR	Display date, month, and year.
CLOCK	Display current clock time.
TEMPERATURE	Displays current room temperature from 50° F to 140° F.

REPLACE BATTERY:

1. Remove the battery cover on the back of the computer.
2. Replace two 1.5V (AA) batteries.
3. Make sure the batteries are installed correctly and the polarities are correct.
4. If the display is not clear or only partial segments appeared, remove the batteries and wait for 15 seconds before re-install them.
5. The battery life is approx. 3 months under normal usage.
6. **When the batteries are removed, all the functional values will reset to zero.**

Note:

Please note all values on this computer are approximate and they are for comparison purpose only. Do not use these values for any medical or rehabilitation purpose.

IMPEX[®] INC.

LIMITED WARRANTY

IMPEX Inc. ("IMPEX[®]") warrants this product to be free from defects in workmanship and material, under normal use and service conditions, for a period of two years on the Frame from the date of purchase. This warranty extends only to the original purchaser. IMPEX's obligation under this Warranty is limited to replacing or repairing, at IMPEX's option.

All returns must be pre-authorized by IMPEX. Pre-authorization may be obtained by calling IMPEX Customer Service Department at 1-800-999-8899. All freights for products return to IMPEX must be prepaid by the customer. This warranty does not extend to any product or damage to a product caused by or attributable to freight damage, abuse, misuse, improper or abnormal usage or repairs not provided by an IMPEX authorized service center or for products used for commercial or rental purposes. No other warranty beyond that specifically set forth above is authorized by IMPEX.

IMPEX is not responsible or liable for indirect, special or consequential damages arising out of or in connection with the use or performance of the product or other damages with respect to any economic loss, loss of property, loss of revenues or profits, loss of enjoyments or use, costs of removal, installation or other consequential damages or whatsoever natures. Some states do not allow the exclusion or limitation of incidental or consequential damages. Accordingly, the above limitation may not apply to you.

The warranty extended hereunder is in lieu of any and all other warranties and any implied warranties of merchantability or fitness for a particular purpose is limited in its scope and duration to the terms set forth herein. Some states do not allow limitations on how long an implied warranty lasts. Accordingly, the above limitation may not apply to you.

This warranty gives you specific legal right. You may also have other rights which vary from state to state. Register on-line www.impex-fitness.com

IMPEX[®] INC.
14777 Don Julian
City of Industry, CA 91746

ORDERING REPLACEMENT PARTS

Replacement parts can be ordered by calling our Customer Service Department toll-free at **1-800-999-8899** during our regular business hours: Monday through Friday, 9 am until 5 pm Pacific standard time.

info@impex-fitness.com

When ordering replacement part, always give the following information.

1. Model
2. Description of Parts
3. Part Number
4. Date of Purchase