

NOTE:
Please read all instructions
carefully before using this
product

Table of Contents
Safety Notice
Hardware Identifier
Assembly Instruction
Parts List
Warranty
Ordering Parts

Model
Apex

Retain This
Manual for
Reference

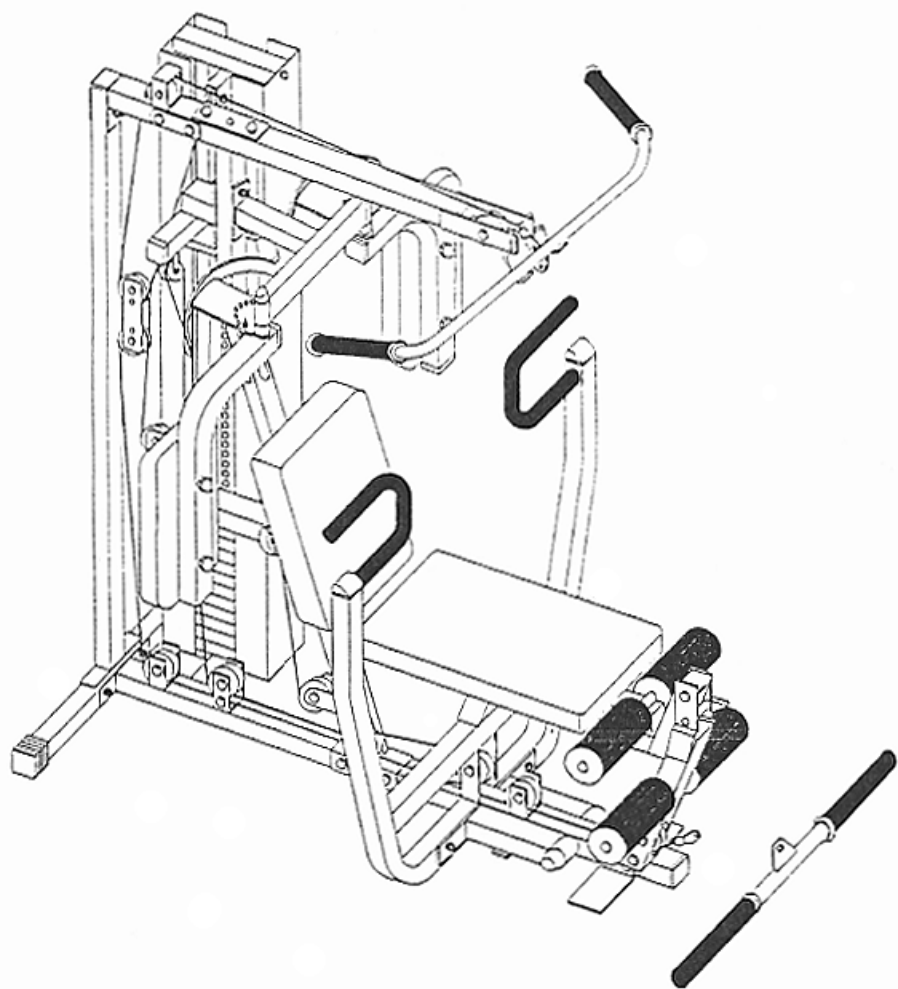
Oct. 04, 1997

**OWNER'S
MANUAL**



MARCY[®]
By IMPEX

APEX HOME GYM



IMPEX INC.

14777 DON JULIAN, CITY OF INDUSTRY, CA 91746
(800) 999-8899 Fax (626) 961-9966

TABLE OF CONTENTS

BEFORE YOU BEGIN.....	1
IMPORTANT SAFETY NOTICE.....	2
HARDWARE IDENTIFIER.....	3
ASSEMBLY INSTRUCTIONS.....	4
PARTS LIST.....	15
WARRANTY.....	16
ORDERING PARTS.....	17

BEFORE YOU BEGIN

Thank you for selecting the MARCY APEX HOME GYM by IMPEX FITNESS PRODUCTS. For your safety and benefit, read this manual carefully before using the machine. As a manufacturer, we are committed to provide you complete customer satisfaction. If you have any questions, or find there are missing or damaged parts, we guarantee you complete satisfaction through direct assistance from our factory. To avoid unnecessary delays, *please call our TOLL-FREE customer service number.* Our Customer Service Agents will provide immediate assistance to you.

Toll-Free Customer Service Number

1-800-999-8899

Mon. - Fri., 9 a.m. - 5 p.m. PST

IMPORTANT SAFETY NOTICE

PRECAUTIONS

This exercise machine is built for optimum safety. However, certain precautions apply whenever you operate a piece of exercise equipment. Be sure to read the entire manual before you assemble or operate your machine. In particular, note the following safety precautions:

1. **Keep children and pets away from the machine at all times. DO NOT leave children unattended in the same room with the machine.**
2. Only one person at a time should use the machine.
3. If the user experiences dizziness, nausea, chest pain, or any other abnormal symptoms, STOP the workout at once. **CONSULT A PHYSICIAN IMMEDIATELY.**
4. Position the machine on a clear, leveled surface. **DO NOT** use the machine near water or outdoors.
5. Keep hands away from all moving parts.
6. Always wear appropriate workout clothing when exercising. **DO NOT** wear robes or other clothing that could become caught in the machine. Running or aerobic shoes are also required when using the machine.
7. Use the machine only for its intended use as described in this manual. **DO NOT** use attachments not recommended by the manufacturer.
8. Do not place any sharp object around the machine.
9. Disabled person should not use the machine without a qualified person or physician in attendance.
10. Before using the machine to exercise, always do stretching exercises to properly warm up.
11. Never operate the machine if the machine is not functioning properly.

WARNING: BEFORE BEGINNING ANY EXERCISE PROGRAM, CONSULT YOUR PHYSICIAN. THIS IS ESPECIALLY IMPORTANT FOR INDIVIDUALS OVER THE AGE OF 35 OR PERSONS WITH PRE-EXISTING HEALTH PROBLEMS. READ ALL INSTRUCTIONS BEFORE USING ANY FITNESS EQUIPMENT. IMPEX INC. ASSUMES NO RESPONSIBILITY FOR PERSONAL INJURY OR PROPERTY DAMAGE SUSTAINED BY OR THROUGH THE USE OF THIS PRODUCT.

SAVE THESE INSTRUCTIONS.

HARDWARE IDENTIFIER

PLACE WASHER, END OF BOLT, OR SCREW ON CIRCLE TO CHECK FOR CORRECT SIZE.

MILLIMETERS

M6



M8

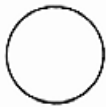


M10

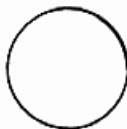


INCHES

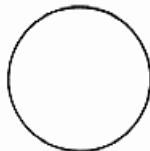
1/2"



5/8"



3/4"



REPLACEMENT PARTS

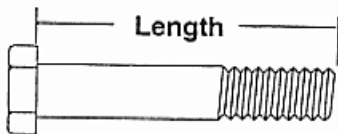
Thank you for purchasing IMPEX product. Although we go to great effort to ensure the quality of our products, occasionally errors or omissions occur. Should you find either a defective or missing part in this product, please contact us for a replacement at the telephone number.

QUESTION ?



1-800-999-8899

NOTE: When installing a Aircraft Nut (also called Nylon or Lock Nut), please use two adjustable wrenches to tighten down the Nut. Hold down the Bolt with one wrench, and use the other wrench to turn the Nut clockwise.



HEX HEAD BOLT



Allen Bolt



SOCKET CAP



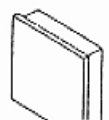
AIRCRAFT
NUT



FLAT
WASHER



ROUND
PLUG



SQUARE
PLUG

ASSEMBLY INSTRUCTION

Tools Required Assembling the Machine:

Two Adjustable Wrenches

Two Allen Wrenches

Note: It is strongly recommended that this machine be assembled by two or more people to avoid possible injury.

STEP 1 (See Diagram 1)

- A.) Place the Base Frame (#1) firmly on the floor. Attach two Foot Plates (#30) to the front of the Base Frame (#1). Align the holes and secure it with two M10x3" Hex Bolts (#66), four $\text{\O}13/16$ " Flat Washers (#75), and two M10 Aircraft Nuts (#78).
Note: Do not tighten all the nuts and bolts yet. Only finger-tighten them for now.
- B.) Attach the Rear Base Frame (#6) and the Rear Vertical Frame (#5) to the back of the Base Frame (#1). Align the holes and secure it with two M10x3" Hex Bolts, four $\text{\O}13/16$ " Flat Washers (#75), and two Aircraft Nuts (#78).
- C.) Attach the Front Vertical Frame (#3) to the Base Frame (#1) and secure it with two M10x3" Hex Bolts (#66), four $\text{\O}13/16$ " Flat Washers (#75), and two M10 Aircraft Nuts (#78).
- D.) Attach the Upper Frame (#2) to the top of the Front Vertical Frame (#3). Secure it with two M10x3" Hex Bolts (#66), four $\text{\O}13/16$ " Flat Washers (#75), one 2"x6 5/16" Bracket (#4), and two M10 Aircraft Nuts (#78).
- E.) Attach the Upper Frame (#2) to the top of the Rear Vertical Frame (#5). Secure it with one M10x2 9/16" Hex Bolt, one M10x3" Hex Bolt (#66), four $\text{\O}13/16$ " Flat Washers (#75), one 2"x4" Bracket (#28), and two M10 Aircraft Nuts (#78).

STEP 2 (See Diagram 2)

- A.) Place two Rubber Bumpers (#37) onto the Base Frame (#1). Align the two holes and push two Weight Plate Guide Rods (#23) through the Bumpers into the Base Frame.
- B.) Slide fourteen Selective Weight Plates (#84) from top of the Guide Rods (#23) down to the Base Frame (#1). NOTE: The groove on the Plates should always faces down and towards the left side of the machine. Insert the Selecting Rod (#22) into the center hole on the Plates. Slide the Selector Stem (#46) onto the Guide Rods. Align the hole and secure the Selector Stem (#46) to the Selecting Rod (#22) with a M10 x 1 9/16" Socket Bolt (#82).
- C.) Attach the Top Socket Assembly (#7) to the top of the Weight Plates Guide Rods (#23). Secure it to the Upper Frame (#2) with two M10x3" Hex Bolts (#66), four $\text{\O}13/16$ " Flat Washers (#75), one 2"x4 3/4" Bracket (#29), and two M10 Aircraft Nuts (#78).
- D.) Secure the Top Socket Assembly (#7) to the Weight Plates Guide Rods (#23) with two M6 x 5/8" Allen Bolts (#73).

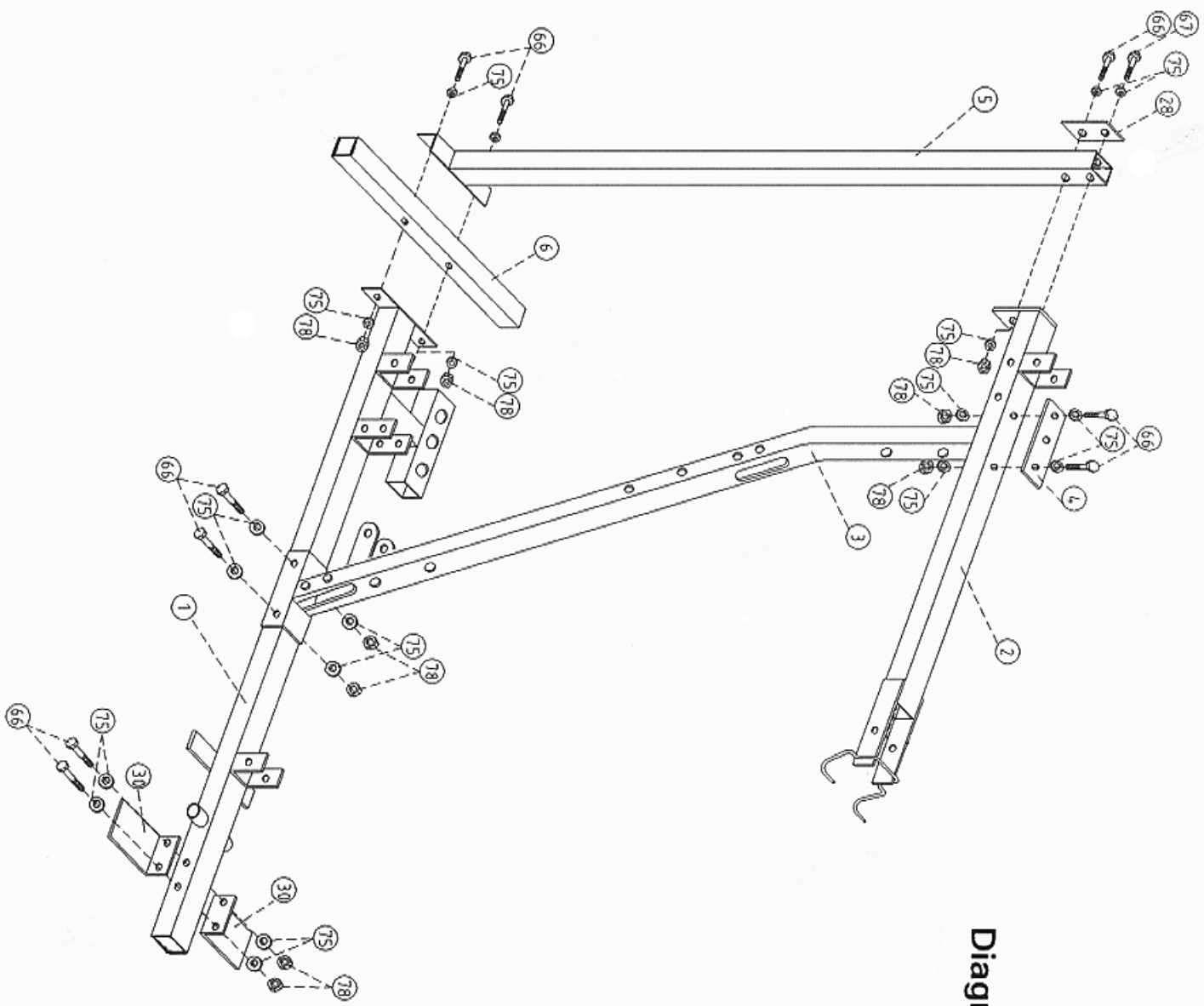
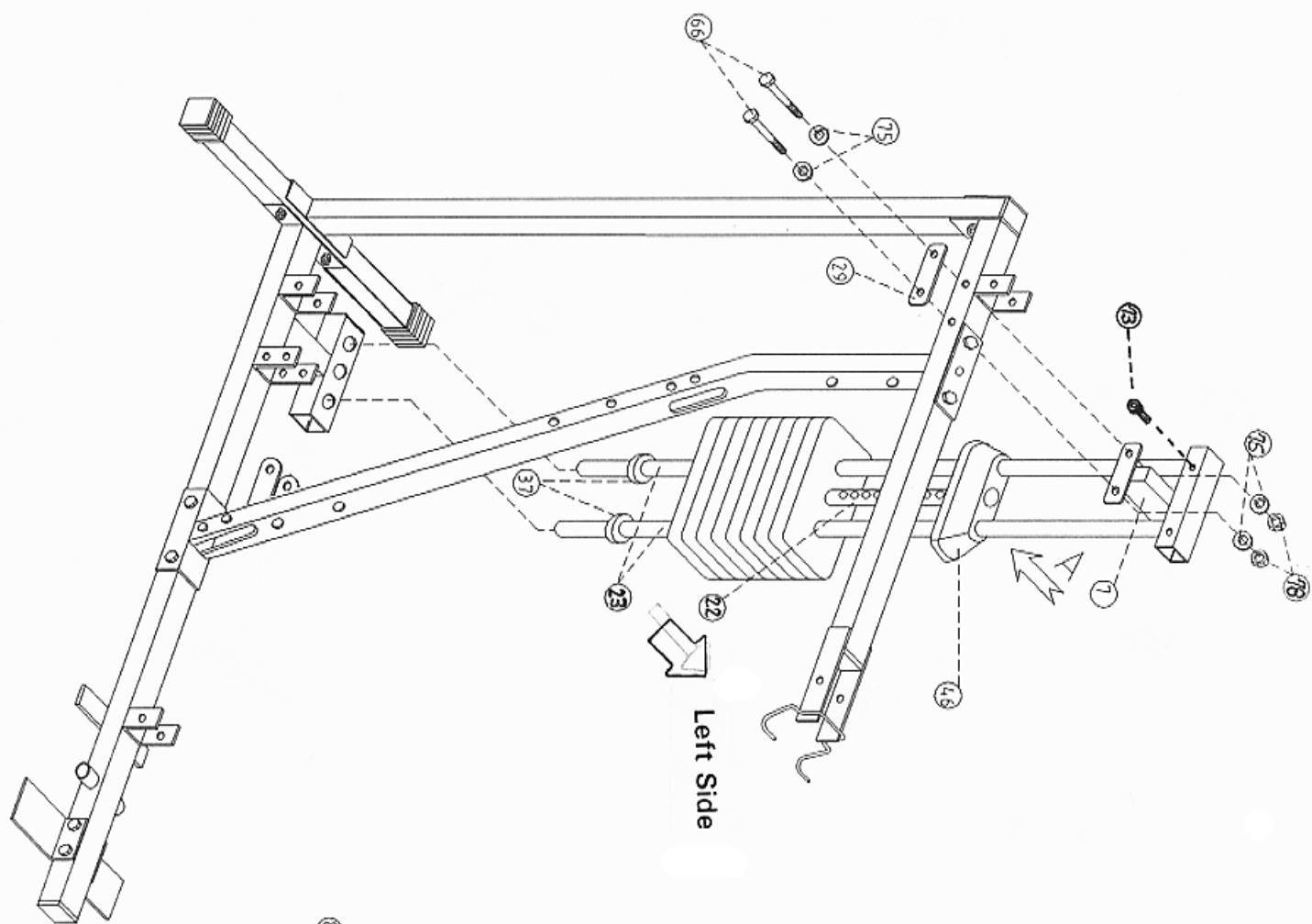


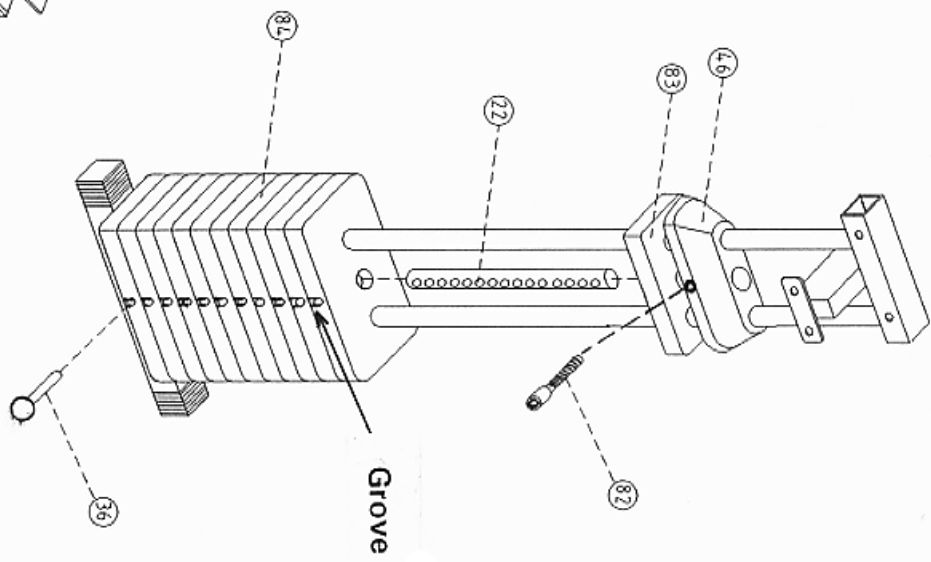
Diagram 1



Left Side

A VIEW

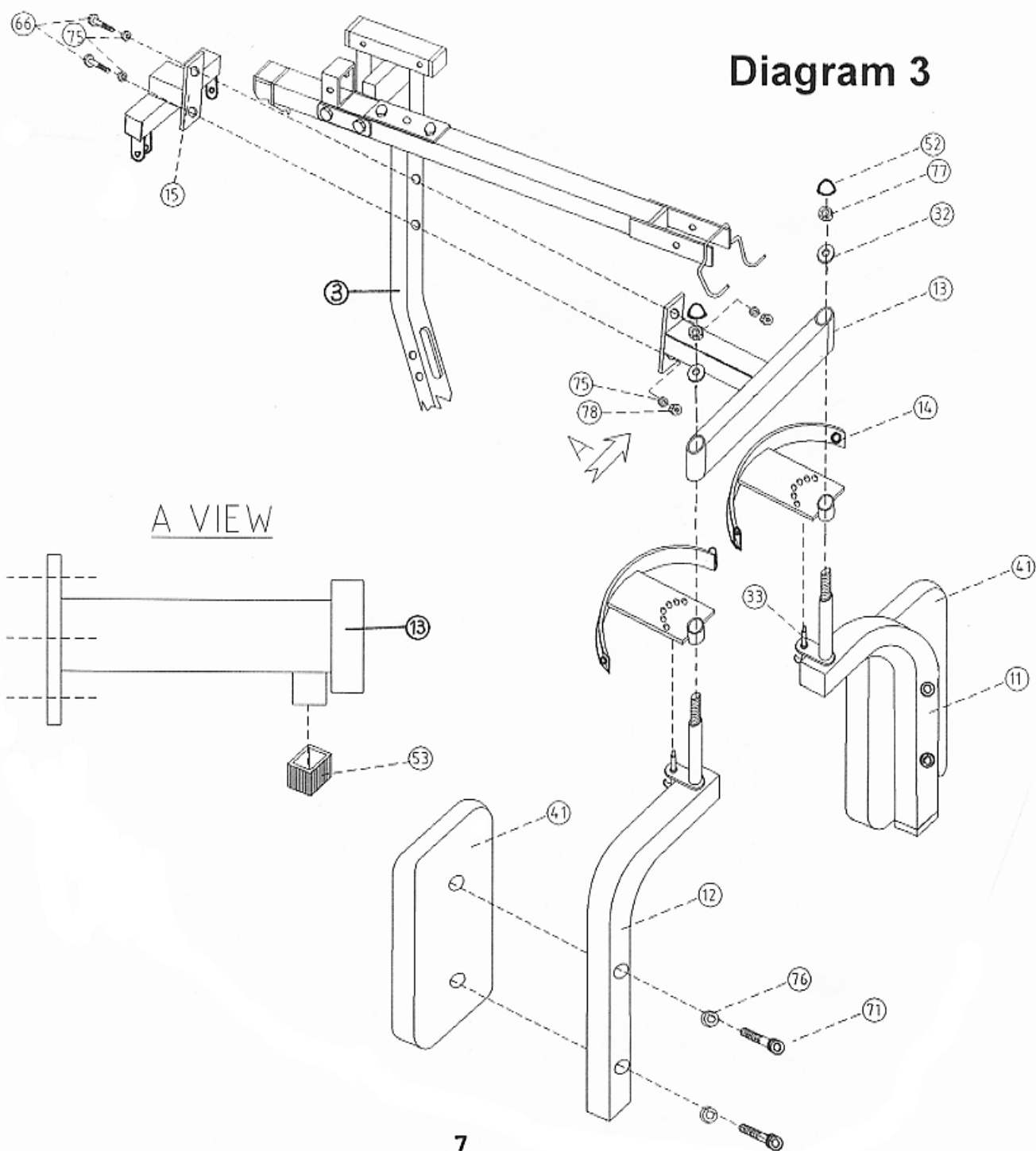
Diagram 2



Grove

STEP 3 (See Diagram 3)

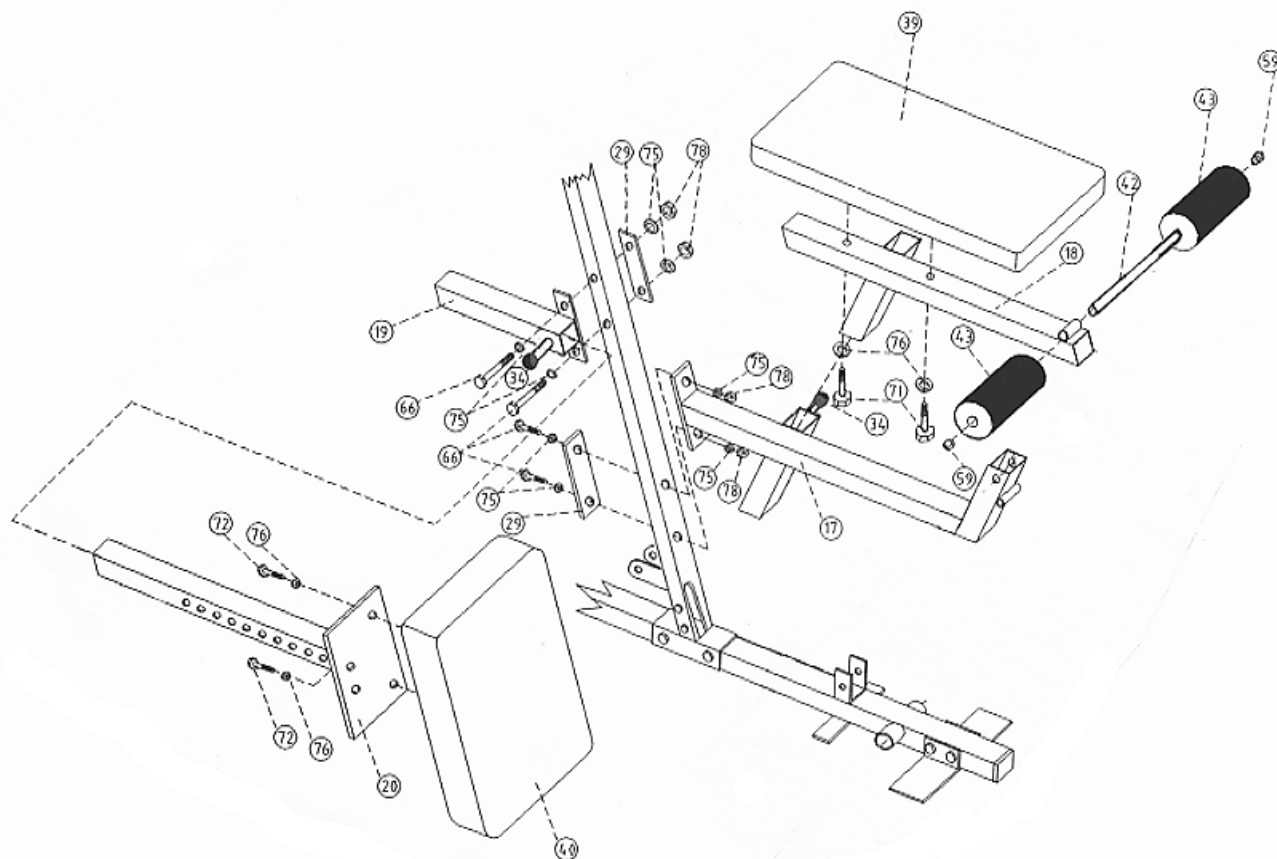
- A.) Attach the Butterfly Support (#13) and the Butterfly Pulley Frame (#15) to the Front Vertical Frame (#3). Secure them with two M10x3" Hex Bolts (#66), four \varnothing 13/16" Flat Washers (#75), and two M10 Aircraft Nuts (#78).
- B.) Attach a 2" Square Rubber Cap (#53) to the opening underneath the Butterfly Support (#13). See A View.
- C.) Place a Butterfly Cable Guide (#14) onto the axle on the Right Butterfly (#12). Insert the Right Butterfly through the hole on the Butterfly Support (#13). Secure it with a \varnothing 1 1/2" Washer (#32), M12 Aircraft Nut (#77), and M12 Cone Shape Cap (#52).
- D.) Attach a Butterfly Pad (#41) to the Right Butterfly (#12) and secure it with two M8x2 9/16" Allen Bolts (#71) and \varnothing 11/16" Flat Washers (#76).
- E.) Repeat the above procedures C and D to install the other Butterfly set.



STEP 4 (See Diagram 4)

- A.) Attach the Leg Developer Holder (#17) to the Front Vertical Frame (#3). Secure it with two M10x3" Hex Bolts (#66), four $\varnothing 13/16$ " Flat Washers (#75), one 2"x4 3/4" Bracket (#29), and two M10 Aircraft Nuts (#78).
- B.) Attach the Short Quick Release Pin (#34) to the Leg Developer Holder (#17).
- C.) Attach the Seat (#39) to the Seat Support (#18). Secure it with two $\varnothing 11/16$ " Flat Washers (#76), and M8x2 9/16" Allen Bolts (#71).
- D.) Attach the Seat Support (#18) to the Leg Developer Holder (#17). Pull the Quick Release Pin (#34) to adjust the height of the Seat.
- E.) Insert a Foam Roll Tube (#42) halfway through the tube on top of the Seat Support (#18). Push two Foam Rolls (#43) onto the tube from both sides. Push two $\varnothing 3$ " Round Plugs (#59) onto both ends of the Tube.
- F.) Attach the Backrest Support Frame (#19) to the Front Vertical Frame (#3). Secure it with two M10x3" Hex Bolts (#66), four $\varnothing 13/16$ " Flat Washers (#75), one 2"x4 3/4" Bracket (#29), and two M10 Aircraft Nuts (#78).
- G.) Attach the Short Quick Release Pin (#34) to the Backrest Support Frame (#19).
- H.) Attach the Backrest (#40) to the Backrest Adjustment Tube (#20). Secure it with two $\varnothing 11/16$ " Flat Washers (#76) and M8x5/8" Allen Bolts (#72). Insert the Backrest Adjustment Tube (#20) into the Backrest Support Frame (#19). Pull out the Quick Release Pin (#34) to adjust the Backrest position.

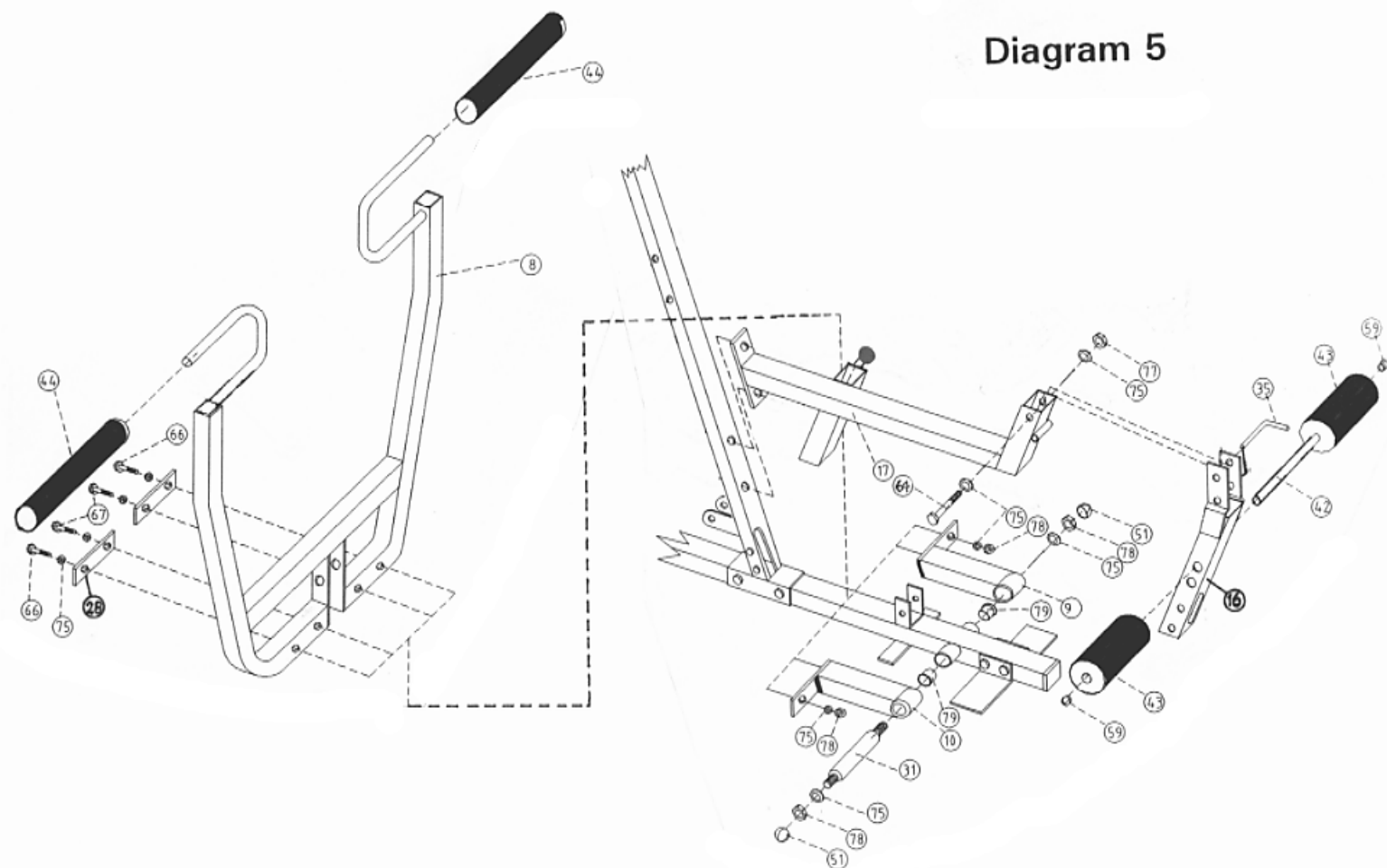
Diagram 4



STEP 5 (See Diagram 5)

- A.) Attach two $\varnothing 1\text{''} \times \varnothing 5/8\text{''}$ Bushings (#79) to the openings on the front of the Base Frame (#1). Insert a $\varnothing 5/8\text{''} \times 9\ 3/8\text{''}$ Axle (#31) halfway through the hole.
- B.) Attach the Front Press Left Base (#9) and the Front Press Right Base (#10) onto the Axle (#31) from both sides. Secure the Axle with two $\varnothing 13/16\text{''}$ Flat Washers (#75), M10 Aircraft Nuts (#78), and M10 Cone Shape Caps (#51).
- C.) Attach the Front Press (#8) to the Front Press Bases (#8 & 9). Secure it with one M10x3" Hex Bolt (#66), one M10x2 9/16" Hex Bolt (#67), three $\varnothing 13/16\text{''}$ Washers (#75), one 2"x4" Bracket (#28), and one M10 Aircraft Nut (#78) on each side of the Front Press.
- D.) Lubricate the inside of the Foam Grips (#44) with water and slide them onto the handlebars on the Front Press.
- E.) Attach the Leg Developer (#16) to the Leg Developer Holder (#17). Secure it with one M12x3 1/2" Hex Bolt (#64), two $\varnothing 13/16\text{''}$ Flat Washers (#75), and one M12 Aircraft Nut (#77).
- F.) Insert a Foam Roll Tube (#42) halfway through the hole on the Leg Developer (#16). Push two Foam Rolls (#43) onto the Tube from both sides. Push two $\varnothing 3\text{''}$ Round Caps (#59) onto both ends of the Tube.

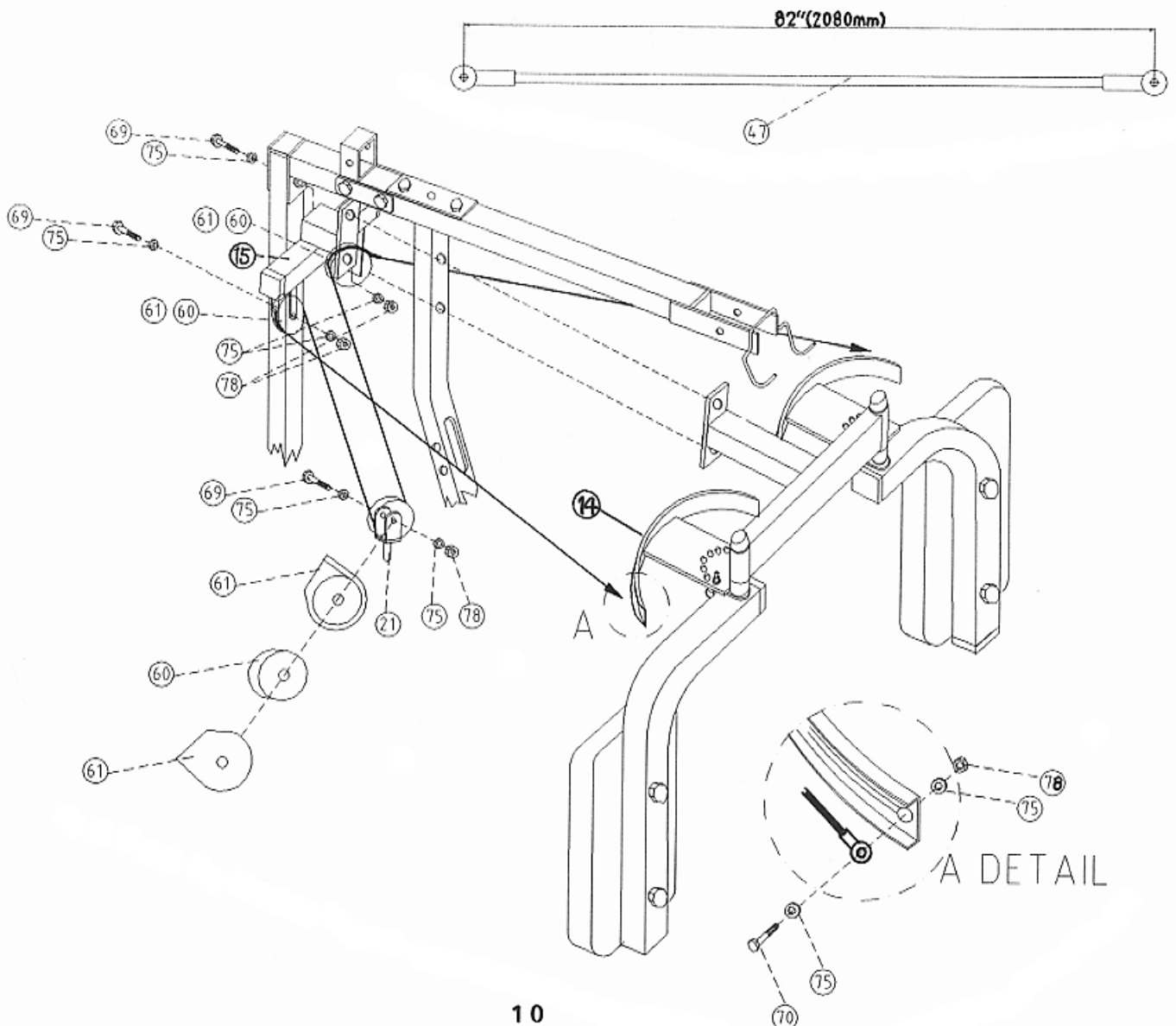
Diagram 5



STEP 6 (See Diagram 6)

- A.) Attach one end of the 82" Butterfly Cable (#47) to the Butterfly Cable Guide (#14). Secure it with one M10x1" Hex Bolt (#70), two $\text{\O}13/16$ " Flat Washers (#75), and one M10 Aircraft Nut (#78). (See A Detail) Attach the other end of the Cable to the other Cable Guide.
- B.) Draw the Cable (#47) to the bracket underneath the Butterfly Pulley Frame (#15). Attach Pulley (#60) and two Pulley Covers (#61) to the Cable. Align the hole on the Pulley to the bracket and secure it with one M10x1 $\frac{3}{4}$ " Hex Bolt (#69), two $\text{\O}13/16$ " Flat Washers (#75), and one M10 Aircraft Nut (#78). Repeat the same procedure to install the other side.
- C.) Pull the Cable downward and attach Pulley (#60) and two Pulley Covers (#61) in the mid-span. Attach a Single Floating Pulley Bracket (#21) to the Pulley and secure it with one M10x1 $\frac{3}{4}$ " Hex Bolt (#69), two $\text{\O}13/16$ " Flat Washers (#75), and one M10 Aircraft Nut (#78). Let the Single Floating Pulley Bracket (#21) hanging for now.

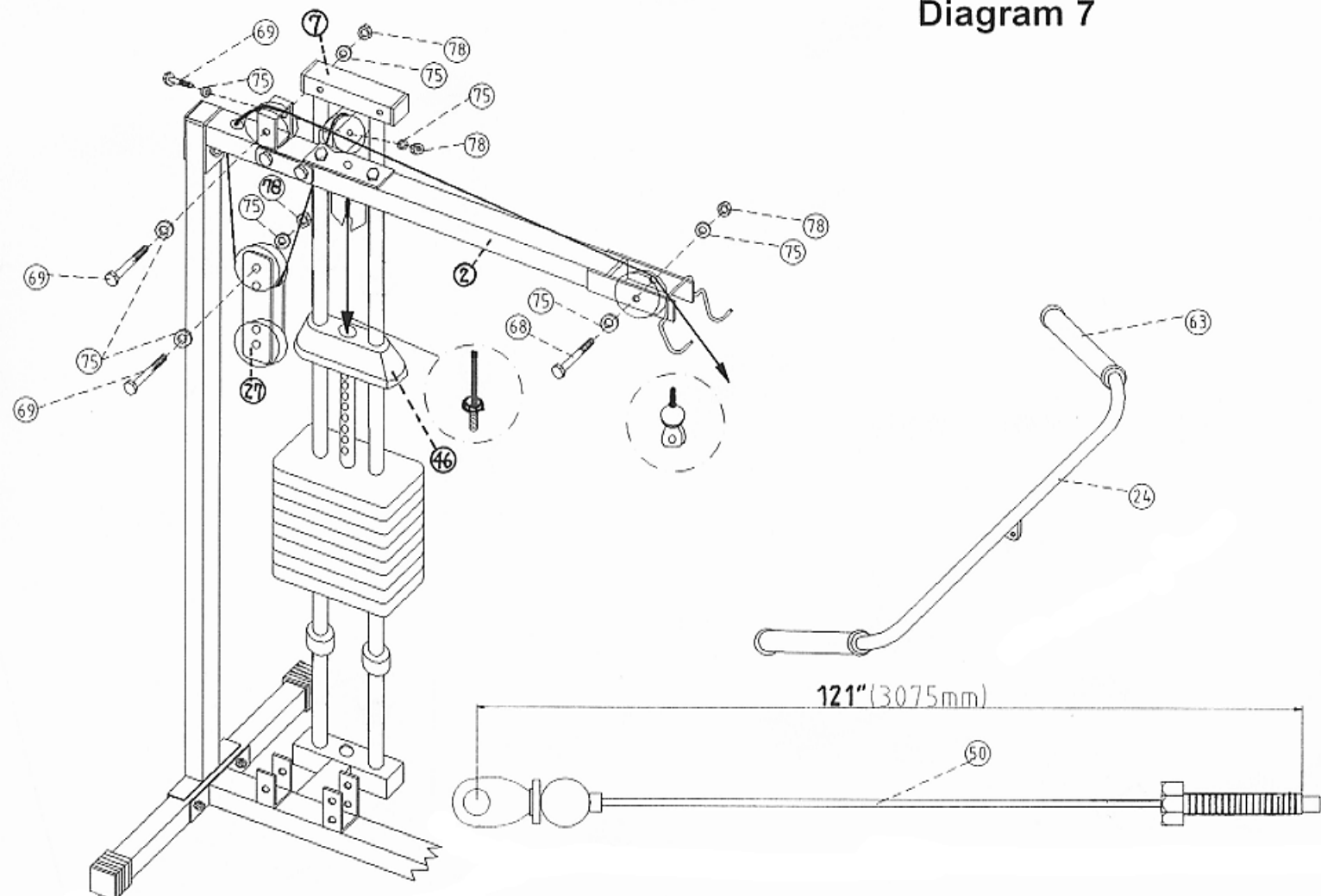
Diagram 6



STEP 7 (See Diagram 7)

- A.) Attach the 121" Cable (#50) to the top of the Upper Frame (#2). Attach a Pulley (#60) and two Pulley Covers (#61) to the beginning of the Cable. Secure it to the front of the Upper Frame with one M10x2 3/8" Hex Bolt (#68), two \varnothing 13/16" Flat Washers (#75), and one M10 Aircraft Nut (#78).
- B.) Draw the Cable over another Pulley set on top of the Upper Frame (#2). Insert the Cable downward through the hole behind the bracket on the top of the Upper Frame.
- C.) Attach Pulley (#60) and two Pulley Covers (#61) to the Cable. Attach the Double Floating Pulley Bracket (#27) to the Pulley set and secure it with one M10x1 3/4" Hex Bolt (#69), two \varnothing 13/16" Flat Washers (#75), and one M10 Aircraft Nut (#78).
- D.) Draw the Cable upward towards the bracket underneath the Top Socket Assembly (#7). Attach one Pulley (#60) to the Cable and secure it to the bracket with one M10x1 3/4" Hex Bolt (#69), two \varnothing 13/16" Flat Washers (#75), and one M10 Aircraft Nut (#78). (Please note there is no Pulley Cover needed for this step.)
- E.) Pull the Cable downward towards the Selector Stem (#46). Screw the Bolt on the end of the Cable into the Selector Stem (#46) by 1/2". Do not screw the Bolt all the way in the Selector Stem. It may cause the Cable to be too short.

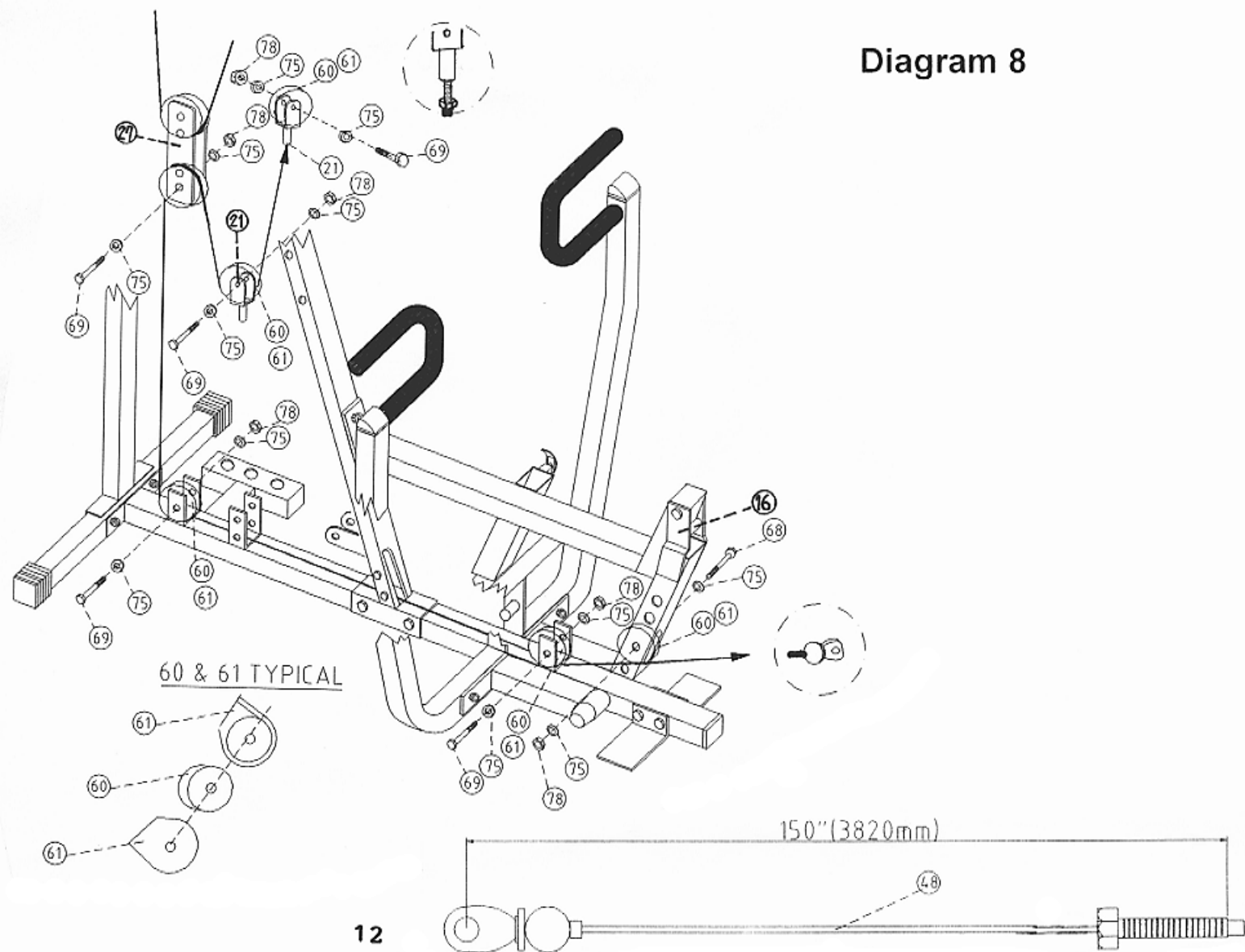
Diagram 7



STEP 8 (See Diagram 8)

- A.) Attach the 150" Cable (#48) to the Leg Developer (#16). Attach a Pulley (#60) and two Pulley Cover (#61) to the Cable. Secure it with one M10x2 3/8" Hex bolt (#68), two $\text{\O}13/16$ " Flat Washers (#75), and one M10 Aircraft Nut (#78).
- B.) Draw the Cable underneath another Pulley set.
- C.) Draw the Cable through the hole on the bottom of the Front Vertical Frame (#3).
- D.) Draw the Cable through the first bracket behind the Front Vertical Frame. Install another Pulley set on the second bracket.
- E.) Pull the Cable upward towards the Double Floating Pulley Bracket (#27). Install another Pulley set. Draw the Cable over the Pulley Set towards down.
- F.) Attach another Pulley set and Single Floating Pulley Bracket (#21). Secure it with one M10x1 3/4" Hex Bolt (#69), two $\text{\O}13/16$ " Flat Washers (#75), and one M10 Aircraft Nut (#78).
- G.) Pull the Cable upward and screw it 1/4" into the Single Floating Pulley Bracket (#21) that was installed in STEP 6C. Note: Do not screw the bolt all the way into the Bracket. It may cause the Cable to be too short.

Diagram 8



STEP 9 (See Diagram 9)

- A.) Insert the 113 1/2" Cable (#49) through the Front Vertical Frame (#3). Attach a Pulley (#60) to the Cable. (Note: There is no Cable Cover needed.) Secure it with one M10x2 9/16" Hex Bolt (#67), two Ø13/16" Flat Washers (#75), two Bushings (#62), and one M10 Aircraft Nut (#78).
- B.) Pull the Cable downwards and install another Pulley Set at the bottom of the Front Vertical Frame.
- C.) Draw the Cable through the hole at the bottom of the Front Vertical Frame (#3) to the Front Press (#8). Attach another Pulley Set to the Cable and secure it with one M10x5 11/16" Hex Bolt (#65), two Ø11/16" Flat Washers (#75), two Plastic Spacers (#45), and one M10 Aircraft Nut (#78). Note: See Detail B to install the Plastic Spacers (#45).
- D.) Draw the Cable back through the hole to the first bracket behind the Front Vertical Frame (#3). Install another Pulley set.
- E.) Pull the Cable upward towards the Single Floating Pulley Bracket (#21) which was installed in STEP 8F. Screw the Bolt into the Bracket by 1/2".

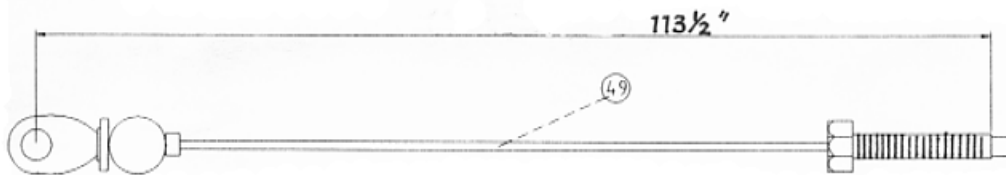
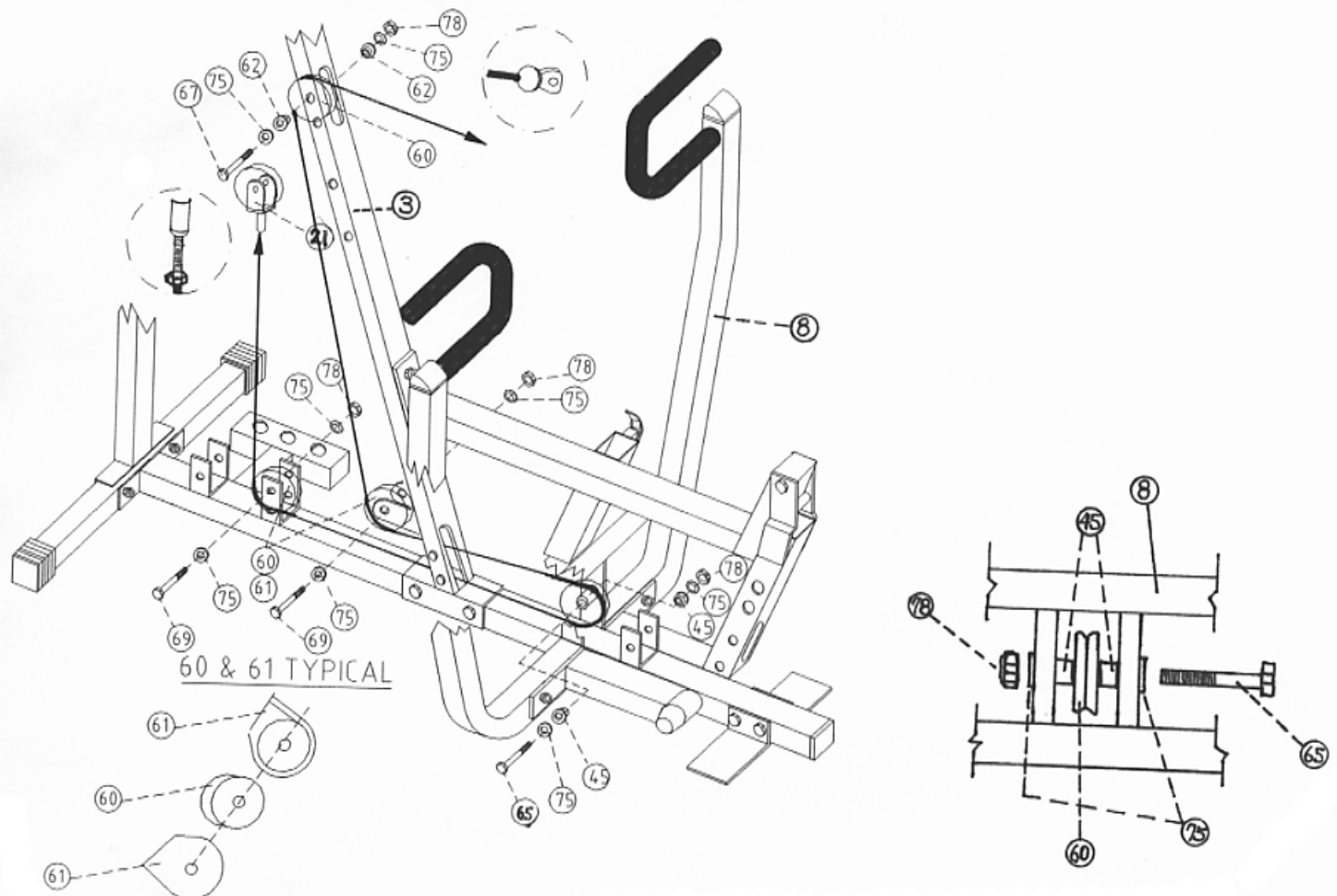


Diagram 9

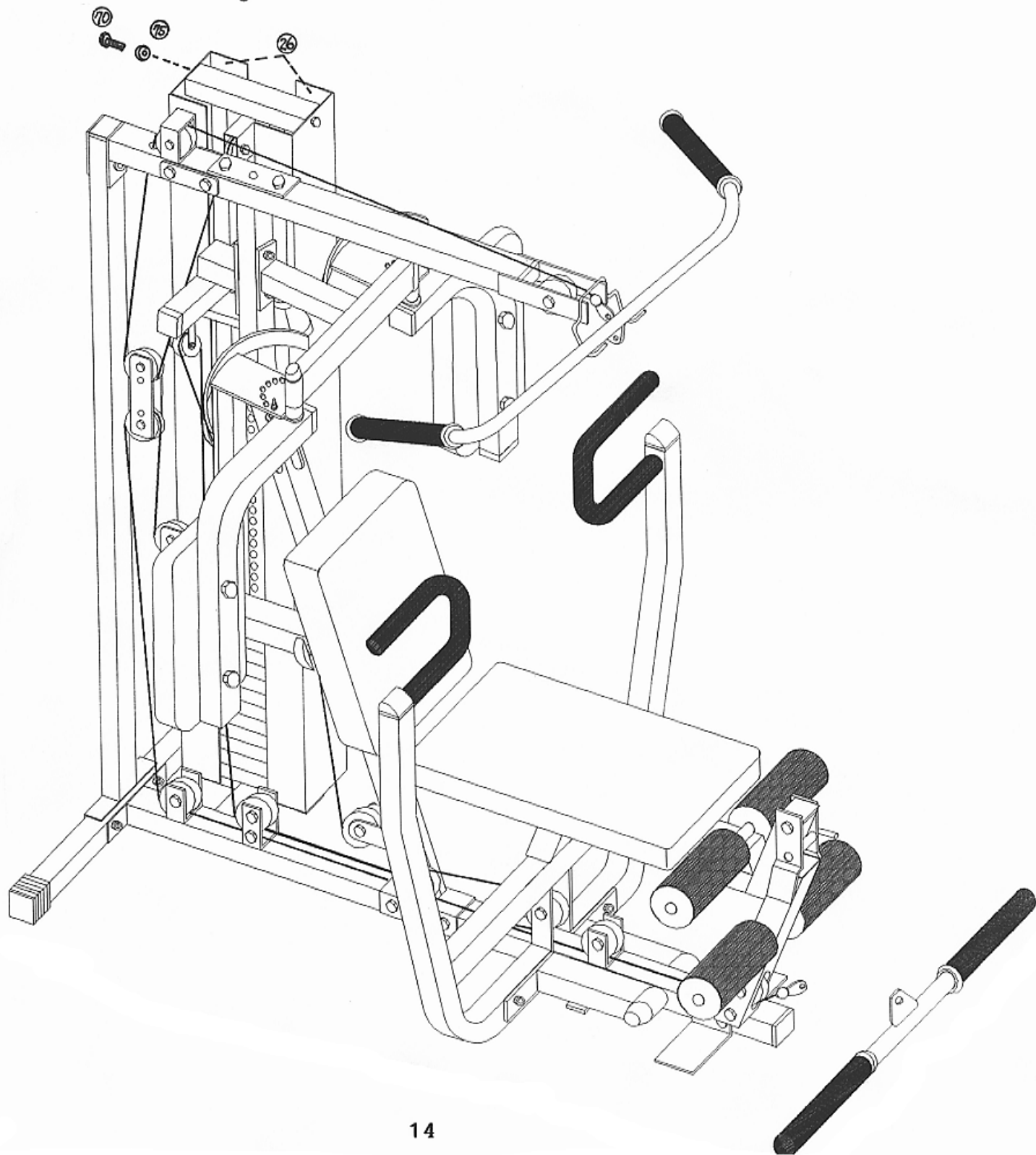


STEP 10 (See Diagram 10)

- A.) Attach two Weight Plate Covers (#26) to the outside of the selective weight plates. Secure it with four M10x1" Hex Bolts (#70) and $\text{\O}13/16$ " Flat Washers (#75).

STEP 11

- A.) Securely tighten all nuts and bolts previously installed from STEP 1 through 10.



PARTS LIST

Part No.	Description	Q'ty	Part No.	Description	Q'ty
1	Base Frame	1	45	Plastic Spacer	2
2	Upper Frame	1	46	Selector Stem	1
3	Front Vertical Frame	1	47	82" Cable	1
4	2" x 6 5/16" Bracket	1	48	150" Cable	1
5	Rear Vertical Frame	1	49	113 1/2" Cable	1
6	Rear Base Frame	1	50	121" Cable	1
7	Top Socket Assembly	1	51	M10 Cone Shape Cap	2
8	Front Press	1	52	M12 Cone Shape Cap	2
9	Front Press Left Base	1	53	2" Square Rubber Cap	4
10	Front Press Right Base	1	54	2" Square Cap(w/hole)	2
11	Left Butterfly	1	55	2" Square Curved End Cap	3
12	Right Butterfly	1	56	2" Square Flat End Cap	14
13	Butterfly Support	1	57	1 3/4" Square End Cap	1
14	Butterfly Cable Guide	2	58	Ø1 1/4" Round Plug	2
15	Butterfly Pulley Frame	1	59	Ø3" Round Plug	4
16	Leg Developer	1	60	Pulley	16
17	Leg Developer Holder	1	61	Pulley Cover	28
18	Seat Support	1	62	Bushing	2
19	Backrest Support Frame	1	63	Grip	4
20	Backrest Adjustment Tube	1	64	M12 x 3 1/2" Hex Bolt	1
21	Single Floating Pulley Bracket	2	65	M10 x 5 11/16" Hex Bolt	1
22	Selecting Rod	1	66	M10 x 3" Hex Bolt	19
23	Weight Plates Guide Rod	2	67	M10 x 2 9/16" Hex Bolt	4
24	Lat Bar	1	68	M10 x 2 3/8" Hex Bolt	2
25	Curl Bar	1	69	M10 x 1 3/4" Hex Bolt	12
26	Weight Plates Cover	2	70	M10 x 1" Hex Bolt	6
27	Double Floating Pulley Bracket	1	71	M8 x 2 9/16" Allen Bolt	6
28	2" x 4" Bracket	3	72	M8 x 5/8" Allen Bolt	2
29	2" x 4 3/4" Bracket	3	73	M6 x 5/8" Allen Bolt	2
30	Foot Plate	2	74	Ø15/16" Flat Washer	2
31	Ø5/8" x 9 3/8" Axle	1	75	Ø13/16" Flat Washer	83
32	Ø1 1/2" Washer	2	76	Ø11/16" Flat Washer	8
33	Long Quick Release Pin	2	77	M12 Aircraft Nut	3
34	Short Quick Release Pin	2	78	M10 Aircraft Nut	39
35	L Shape Pin	1	79	Ø1" x Ø5/8" Bushing	6
36	Selector Pin	1	80	Ø1" x Ø1/2" Bushing	2
37	Rubber Bumper	2	81	Ø1 1/2" x Ø1" Bushing	8
38	Leg Developer Bumper	1	82	M10 x 1 9/16" Socket Bolt	1
39	Seat	1	83	Top Weight Plate	1
40	Backrest	1	84	Selective Weight Plates	14
41	Butterfly Pad	2	85	Single Cross Pull Handle	1
42	Foam Roll Tube	2	86	Ankle Strap	1
43	Foam Roll	4	87	AB Strap	1
44	Foam Grip	2			

IMPEX INC.

LIMITED WARRANTY

IMPEX Inc. ("IMPEX") warrants this product to be free from defects in workmanship and material, under normal use and service conditions, for a period of two years on the Frame from the date of purchase. This warranty extends only to the original purchaser. IMPEX's obligation under this Warranty is limited to replacing or repairing, at IMPEX's option.

All returns must be pre-authorized by IMPEX. Pre-authorization may be obtained by calling IMPEX Customer Service Department at 1-800-999-8899. All freights on products returned to IMPEX must be prepaid by the customer. This warranty does not extend to any product or damage to a product caused by or attributable to freight damage, abuse, misuse, improper or abnormal usage or repairs not provided by a IMPEX authorized service center or for products used for commercial or rental purposes. No other warranty beyond that specifically set forth above is authorized by IMPEX.

IMPEX is not responsible or liable for indirect, special or consequential damages arising out of or in connection with the use or performance of the product or other damages with respect to any economic loss, loss of property, loss of revenues or profits, loss of enjoyments or use, costs of removal, installation or other consequential damages or whatsoever natures. Some states do not allow the exclusion or limitation of incidental or consequential damages. Accordingly, the above limitation may not apply to you.

The warranty extended hereunder is in lieu of any and all other warranties and any implied warranties of merchantability or fitness for a particular purpose is limited in its scope and duration to the terms set forth herein. Some states do not allow limitations on how long an implied warranty lasts. Accordingly, the above limitation may not apply to you.

This warranty gives you specific legal right. You may also have other rights which vary from state to state.

**IMPEX INC.
11837 Goldring Rd.
Arcadia, CA 91006**

ORDERING REPLACEMENT PARTS

Replacement parts can be ordered by calling our Customer Service Department toll-free at **1-800-999-8899** during our regular business hours: Monday through Friday, 9 am until 5 pm Pacific standard time.

When ordering replacement parts, always give the following information.

1. Model
2. Description of Parts
3. Part Number
4. Date of Purchase