

NOTE:  
Please read all instructions  
carefully before using this  
product

Table of Contents

Safety Notice

Hardware Pack

Assembly Instruction

Parts List

Warranty

Ordering Parts

Model  
AMZ-167RW

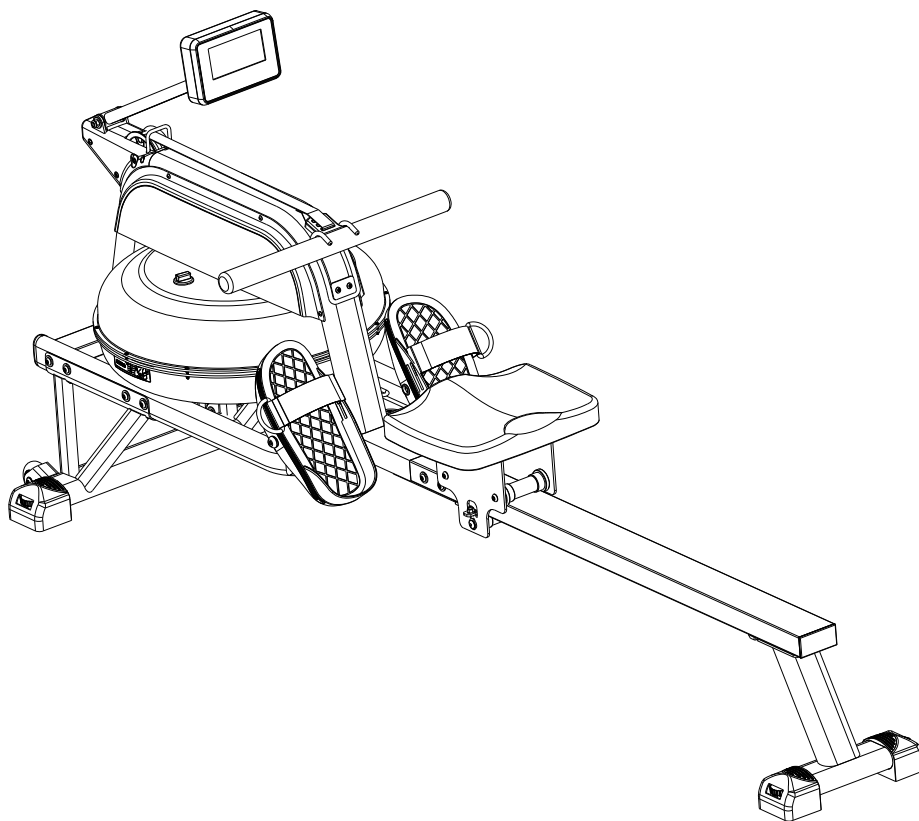
Retain This  
Manual for  
Reference

190722

ASSEMBLY &  
OWNER'S  
MANUAL

# **CIRCUIT FITNESS**

## **Water Rower AMZ-167RW**



**IMPEX® INC.**

2801 S. Towne Ave, Pomona, CA 91766  
Tel: (800) 999-8899 Fax: (626) 961-9966

[www.marcypro.com](http://www.marcypro.com)

**support@impex-fitness.com**

## TABLE OF CONTENTS

BEFORE YOU BEGIN	1
IMPORANT SAFETY NOTICES	2
WARNING LABEL PLACEMENT	3
PRE-ASSEMBLY CHECK LIST	4
HARDWARE PACK	5
ASSEMBLY INSTRUCTION	6
EXPLODED DIAGRAM	9
PARTS LIST	10
CARE AND MAINTANENCE	12
OPERATING NOTES	12
ADJUSTMENT GUIDE	13
STORAGE GUIDE	15
COMPUTER	16
EXERCISE GUIDELINES	19
WARRANTY	21
ORDERING PARTS	21

---

## BEFORE YOU BEGIN

Thank you for selecting the CIRCUIT FITNESS Water-Resistance Rower AMZ-167RW by IMPEX® INC. For your safety and benefit, read this manual carefully before using the bike. As a manufacturer, we are committed to provide you complete customer satisfaction. If you have any questions, or find there are missing or damaged parts, we guarantee you complete satisfaction through direct assistance from our factory. To avoid unnecessary delays, *please call our TOLL-FREE customer service number.* Our Customer Service Agents will provide immediate assistance to you.

**Toll-Free Customer Service Number**

**1-800-999-8899**

**Mon. - Fri. 9 a.m. - 5 p.m. PST**

[www.marcypro.com](http://www.marcypro.com)

[support@impex-fitness.com](mailto:support@impex-fitness.com)

## IMPORTANT SAFETY NOTICE

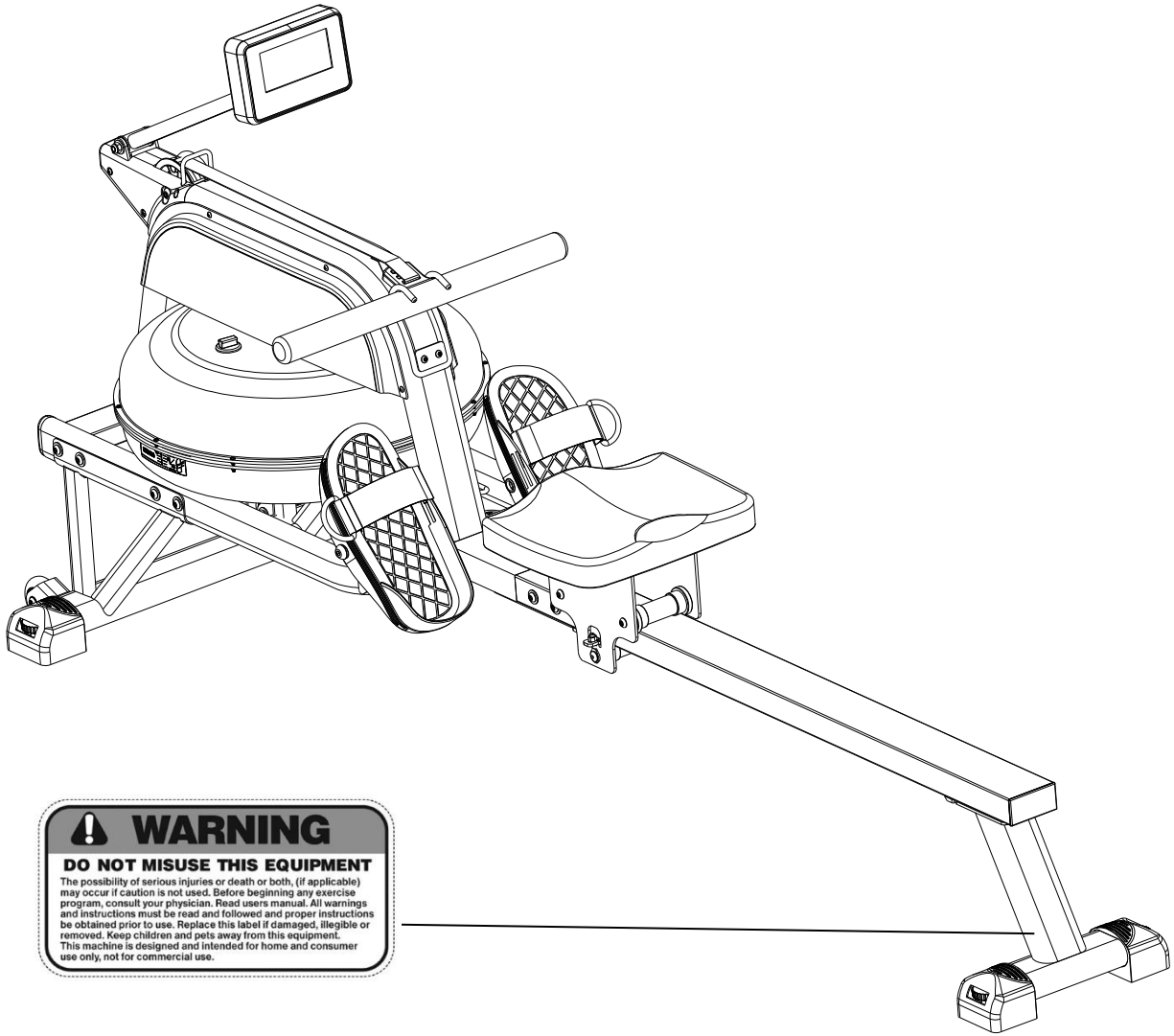
### **PRECAUTIONS**

This exercise machine is built for optimum safety. However, certain precautions apply whenever you operate a piece of exercise equipment. Be sure to read the entire manual before you assemble or operate your machine. In particular, note the following safety precautions:

1. **Keep children and pets away from the machine at all times. DO NOT leave children unattended in the same room with the machine.**
2. Only one person at a time should use the machine.
3. If the user experiences dizziness, nausea, chest pain, or any other abnormal symptoms, STOP the workout at once. CONSULT A PHYSICIAN IMMEDIATELY.
4. Position the machine on a clear, leveled surface. DO NOT use the machine near water or outdoors.
5. Keep hands away from all moving parts.
6. Always wear appropriate workout clothing when exercising. DO NOT wear robes or other clothing that could become caught in the machine. Running or aerobic shoes are also required when using the machine.
7. Use the machine only for its intended use as described in this manual. DO NOT use attachments not recommended by the manufacturer.
8. Do not place any sharp object around the machine.
9. Disabled person should not use the machine without a qualified person or physician in attendance.
10. Before using the machine to exercise, always do stretching exercises to properly warm up.
11. Never operate the machine if the machine is not functioning properly.
12. Read all warnings posted on the exercise bike.
13. Inspect the exercise bike for worn or loose component prior to use. Tighten/replace any loose or wore components prior to use.
14. Care should be taken in mounting or dismounting the exercise bike.
15. **This exercise bike is for consumer and home use only.**

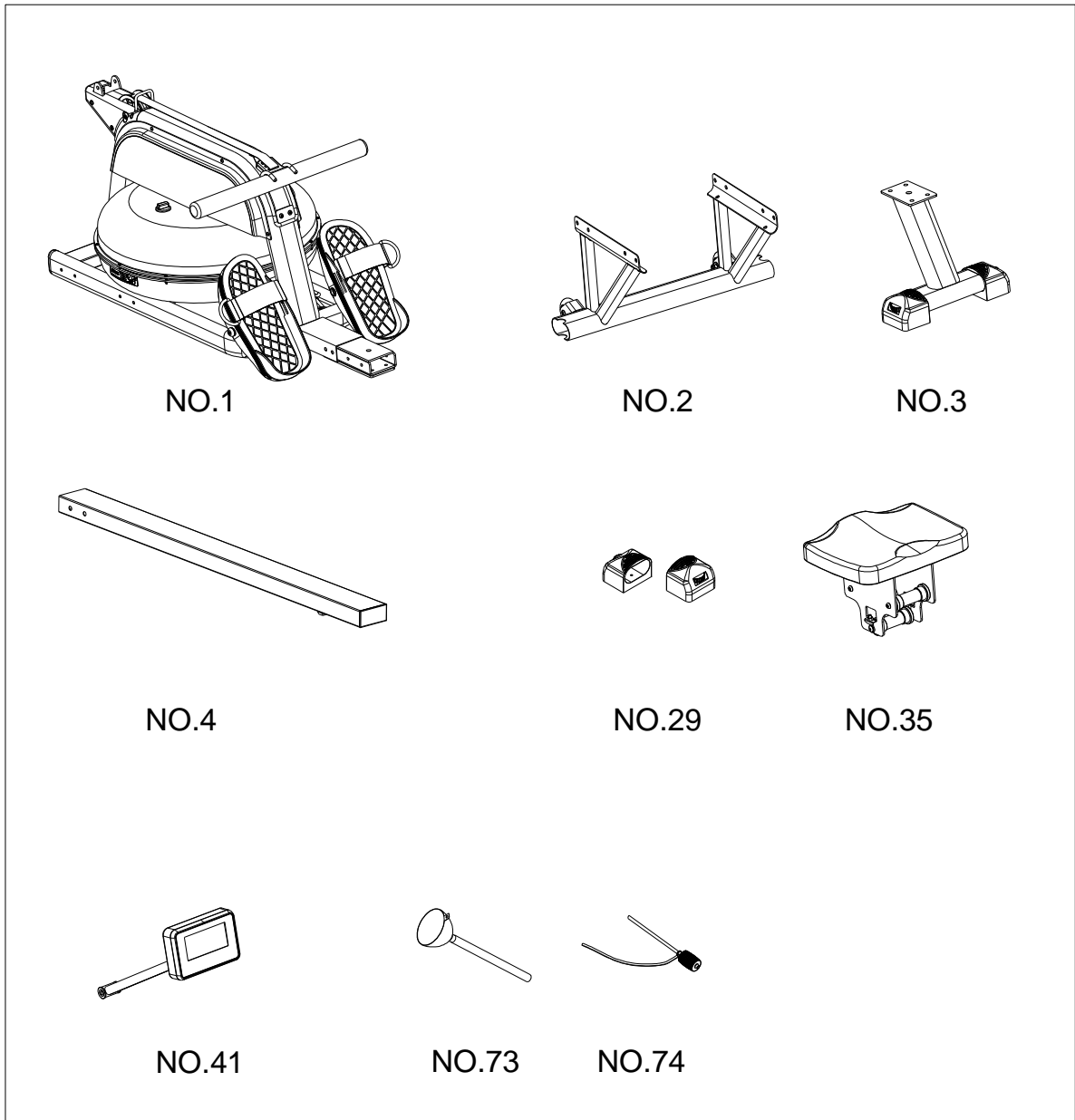
**WARNING: BEFORE BEGINNING ANY EXERCISE PROGRAM, CONSULT YOUR PHYSICIAN. THIS IS ESPECIALLY IMPORTANT FOR INDIVIDUALS OVER THE AGE OF 35 OR PERSONS WITH PRE-EXISTING HEALTH PROBLEMS. READ ALL INSTRUCTIONS BEFORE USING ANY FITNESS EQUIPMENT. IMPEX INC. ASSUMES NO RESPONSIBILITY FOR PERSONAL INJURY OR PROPERTY DAMAGE SUSTAINED BY OR THROUGH THE USE OF THIS PRODUCT. SAVE THESE INSTRUCTIONS.**

## WARNING LABEL PLACEMENT



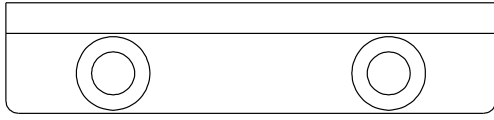
The Warning Labels shown here has been placed on the Front Stabilizer.  
If the labels are missing or illegible, please call customer service at 1-800-999-8899 for replacement. Apply the labels in location shown.

# PRE-ASSEMBLY CHECK LIST



PART NO.	DESCRIPTION	Q'TY
1	Main frame	1
2	Front stabilizer	1
3	Rear stabilizer	1
4	Slide rail	1
29	Adjustable end cap	2
35	Seat	1
41	Computer	1
73	Funnel	1
74	Pumping Siphon	1

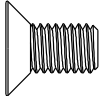
# HARDWARE PACK



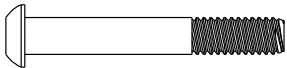
#27 Limit pad 1pc



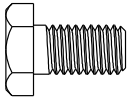
#50 M6\* $\frac{3}{8}$  2pcs



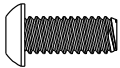
#53 M8\* $\frac{5}{8}$  4pcs



#54 M8\*2 $\frac{1}{2}$  1pc



#58 M8\* $\frac{5}{8}$  4pcs



#60 M8\* $\frac{5}{8}$  12pcs



#61 M4\* $\frac{5}{8}$  2 pcs



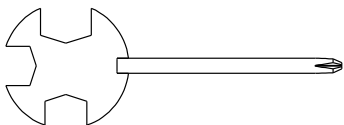
#65 OD20\*ID8.5\*1.5 17pcs



#70 M8 1pc



#75 S5 1pc



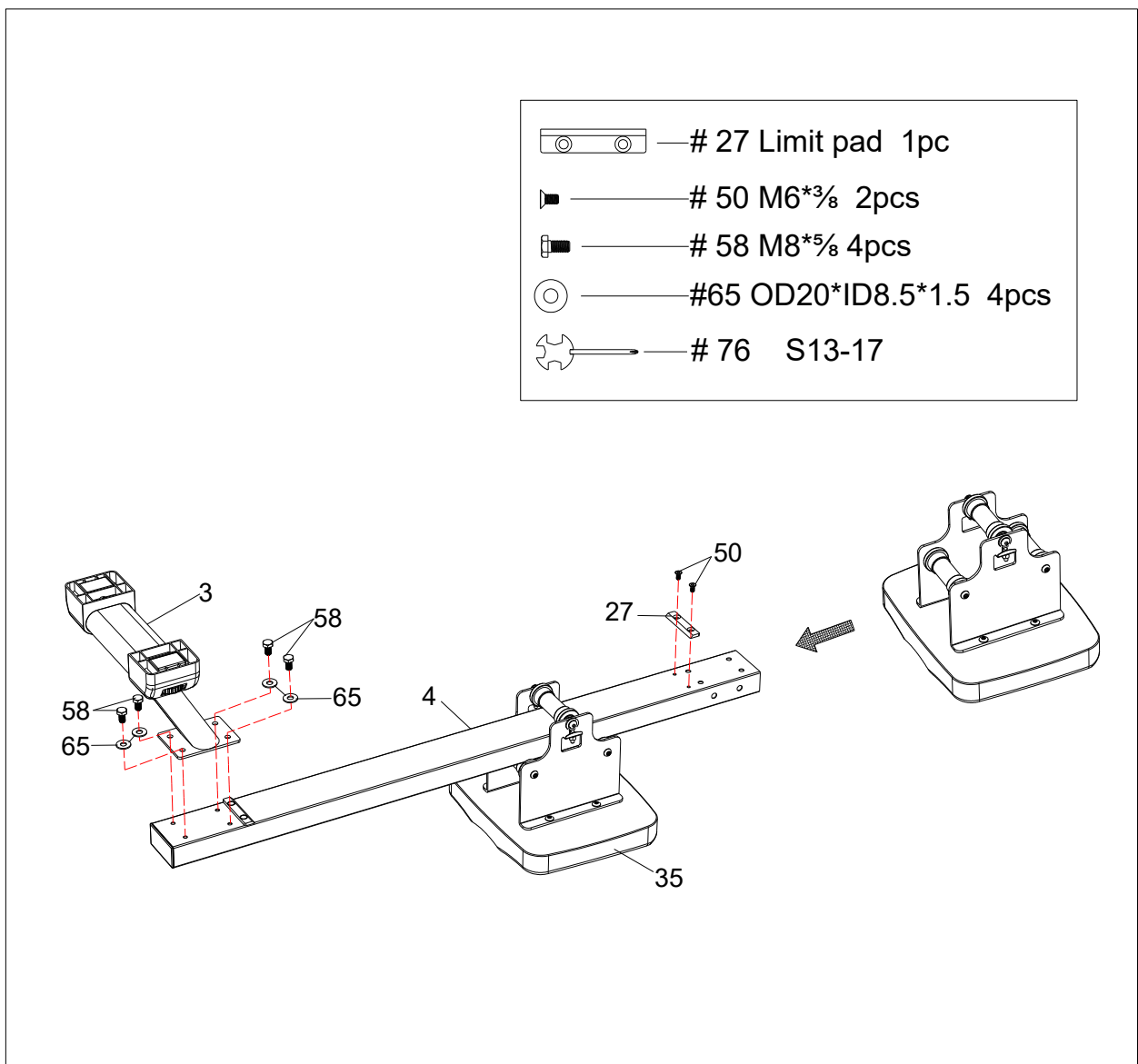
#76 S13-17 1pc

## ASSEMBLY INSTRUCTION

- **Tools Required for Assembling the Machine: One Crossing Wrench and Allen Wrench, provided by manufacturer.**
- **NOTE: It is strongly recommended that two or more people assemble this machine to avoid possible injury.**

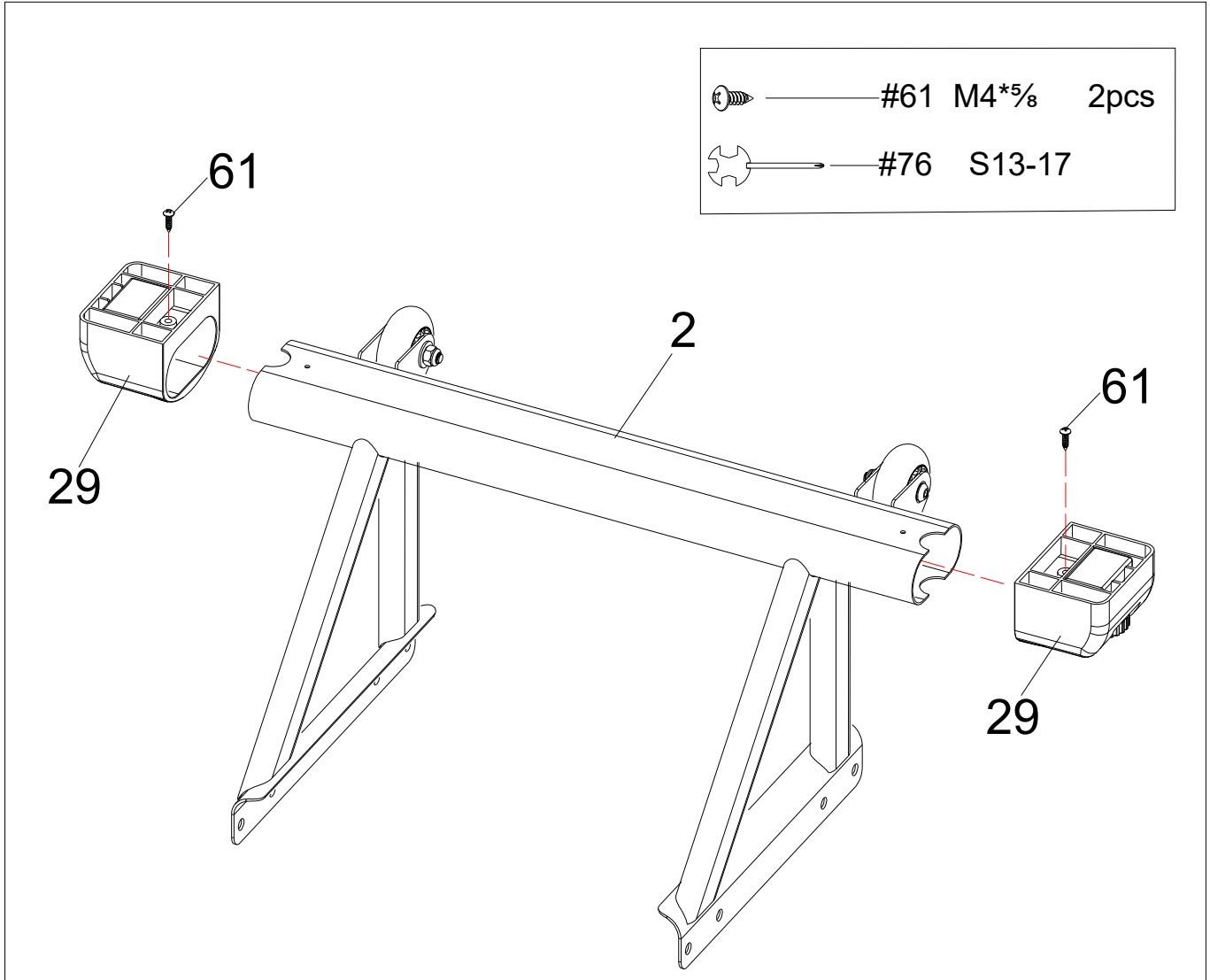
### STEP-1

1. Turn over the Slide Rail (#4), the Rear Stabilizer (#3) and the seat (#35) as below picture.
2. Slide the seat (#35) onto the rail (4). Attach Limit Pad (#27) to the Slide Rail (#4) and secure with two screws (#50).
3. Attach the Rear Stabilizer (#3) to the Slide Rail (#4), tighten with 4 Washers (#65) and 4 Outer hex Bolt (#58).



## STEP-2

Attach Adjustable end cap (No.29) to Front Stabilizer (No.2). Then tighten with 2 Cross Screws (No.61) using Spanner (No.76).

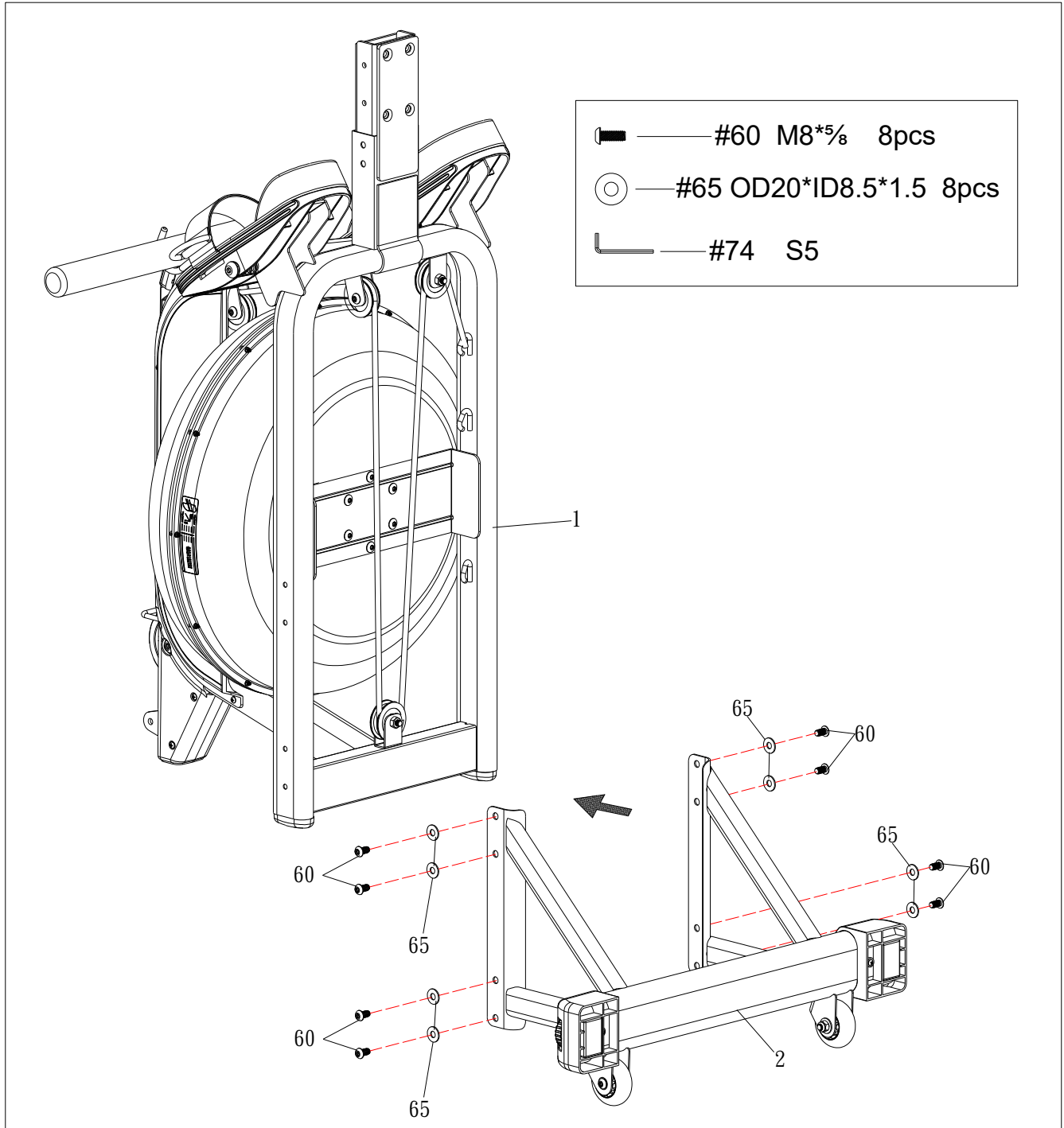




### STEP-3

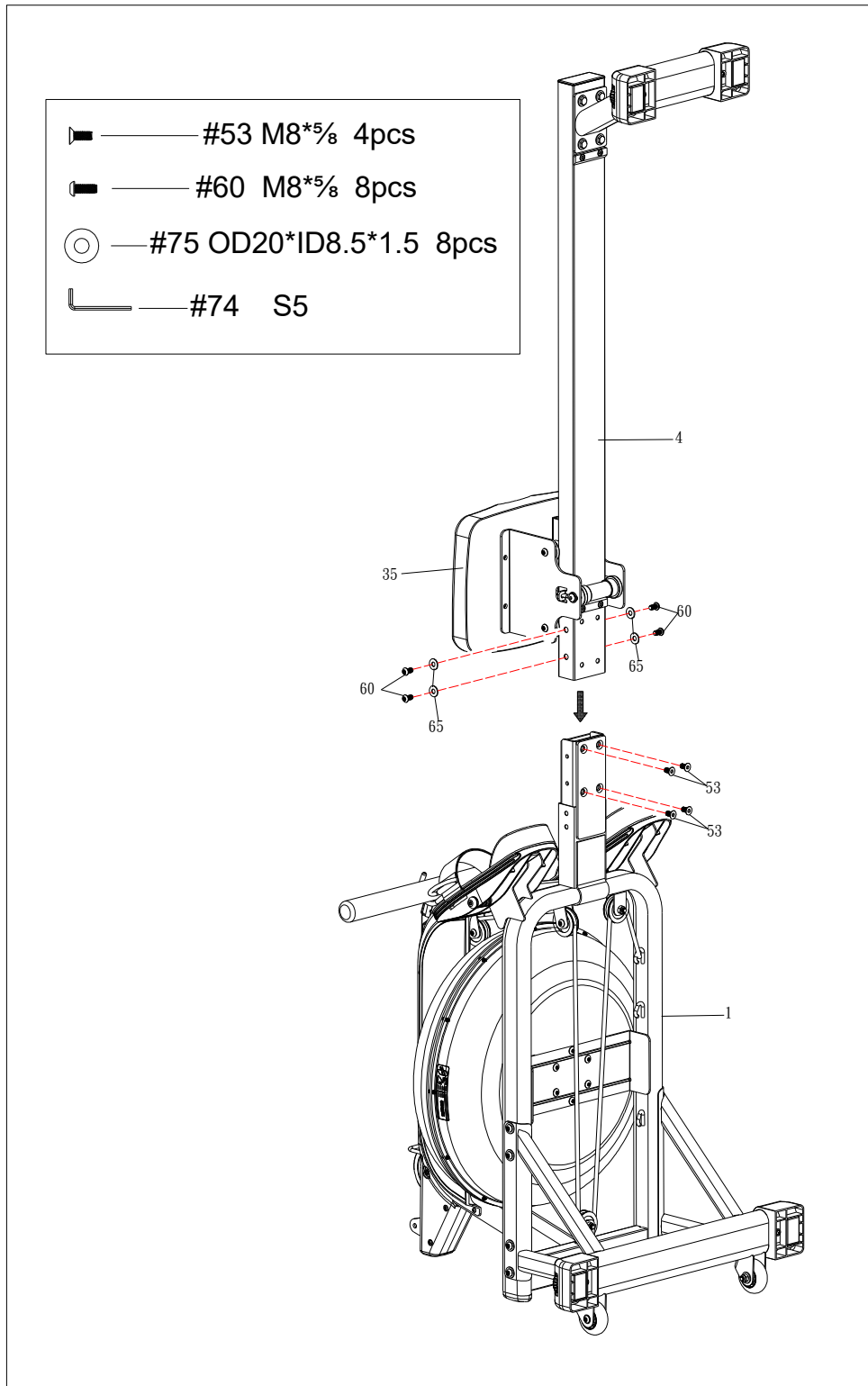
Keep the **Main Frame (No.1)** upright. Attach **Front Stabilizer (No.2)** to **Main Frame (No.1)** using 8 **Washers (No.65)** and 8 **Screws (No.60)**. Tighten with **Allen Wrench (No.74)**.

**Note:** You can put 3~4 screws into the holes first, and start tightening by hand. After all the screws are put in, then tighten with the tool.



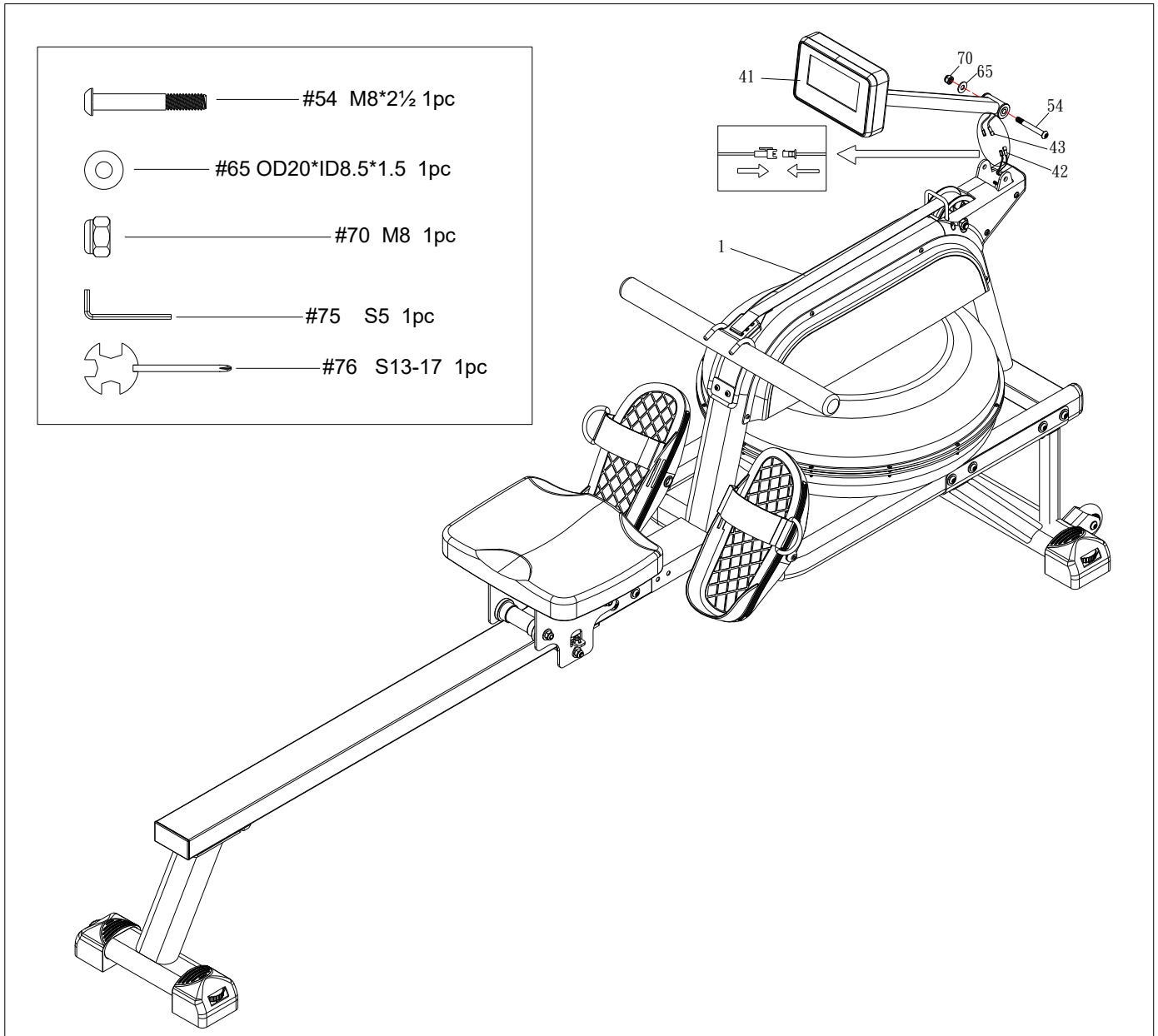
## STEP-4

1. Slide the **Seat (No.35)** onto the **Slide Rail (No.3)**.
2. Attach the **Slide Rail (No. 4)** to the **Main Frame (No. 1)** using 4 **Flat Screws (No. 53)**, with 4 **Washers (No.65)** and **Screws (No.60)**. Insert all 8 screws partially into the holes first, and then tighten with **Allen Wrench (No.74)**.



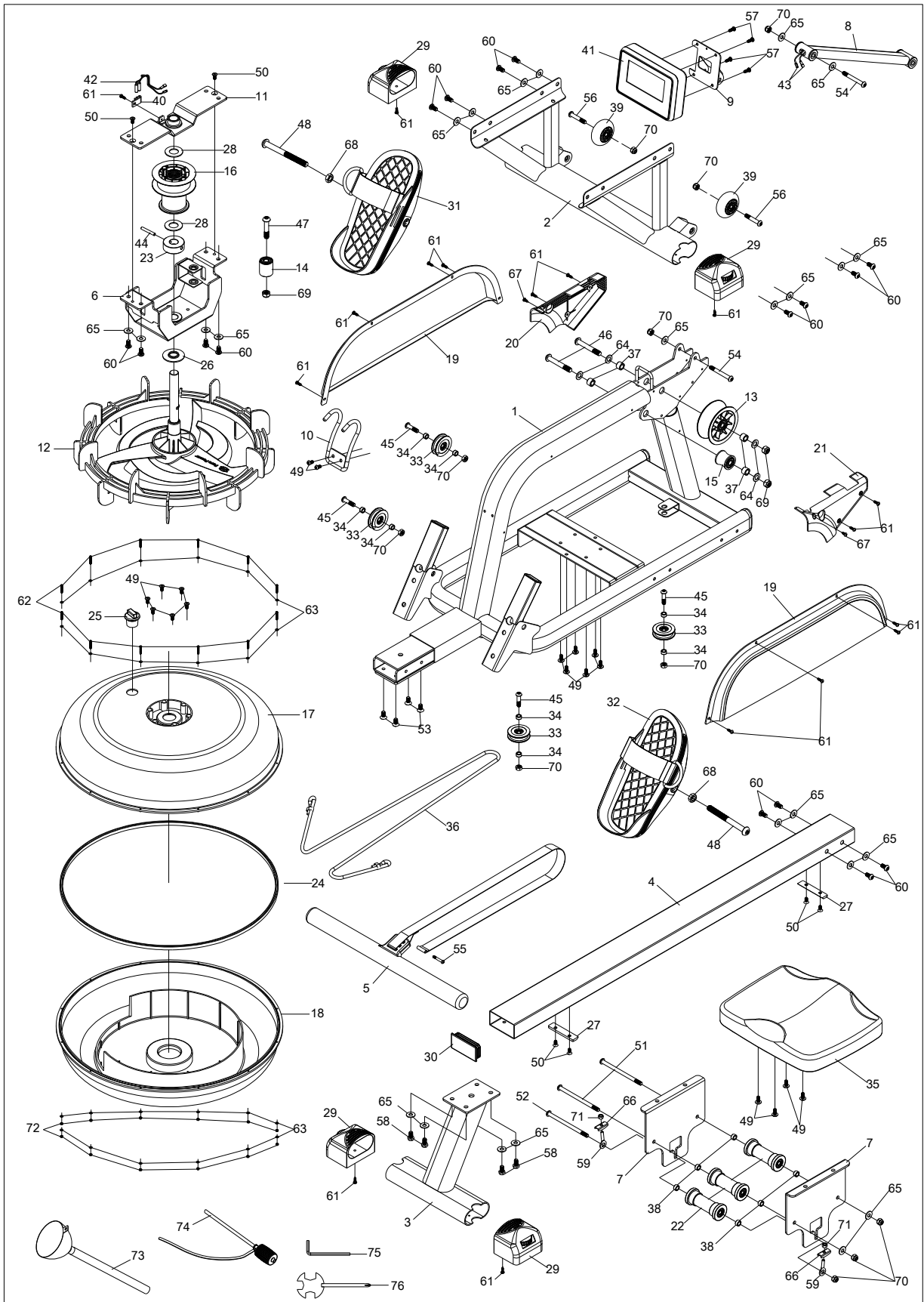
## STEP-5

1. Connect the **Connection wire (No. 43)** to the **Sensor wire (No. 42)**.
2. Attach the **Support for computer (No. 41)** to **Main Frame (No. 1)**, using 1 **Screw (No.54)** with **Washer (No.65)** and **Nylon lock nut (No.70)**. Tighten with **Allen Wrench (No.75)** and **Spanner (No.76)**.



*The assembly is complete!*

# EXPLODED DIAGRAM



## AMZ-167RW PARTS LIST

No.	Description	Spec.	QTY
1	Main Frame		1
2	Front Stabilizer		1
3	Rear Stabilizer		1
4	Slide Rail		1
5	Handlebar		1
6	Tank Plate		1
7	Seat Carriage		2
8	Support for Computer		1
9	Support Plate		1
10	Handlebar seat		1
11	Fixing Plate For Belt Wheel		1
12	Impeller		1
13	Belt Wheel	POM , Black	1
14	Guide Roller	POM , Black	1
15	Lower Guide Roller	PU , Black	1
16	Mesh belt wheel	POM , Black	1
17	Upper Tank	PC	1
18	Lower Tank	PC	1
19	Shroud	HIPS,Black	2
20	Front Cover L	PP , Black	1
21	Front Cover R	PP , Black	1
22	Seat Roller	POM , Black	3
23	Magnet Seat	POM, black	1
24	Rubber Sealing Ring	Rubber	1
25	Fill Plug	Rubber , Black	1
26	Impeller Shaft Seal	Rubber, black	1
27	Limit pad	Rubber, black	2
28	Plastic washer	POM, black	2
29	Adjustable end cap	PP, black	4
30	Rail end cap	PP, black	1
31	Left Pedal	PP, black	1
32	Right Pedal	PP, black	1
33	Bungee pulley	POM, black	4
34	Spacer for Bungee pulley	ABS , black	8
35	Seat	PU , Black	1
36	Bungee cord	Nylon, black	1
37	Support Sleeve		4
38	Spacer for Roller		6
39	Moving Wheel	PU , Black	2
40	Sensor holder	Nylon, black	1
41	Computer		1
42	Sensor wire	L450	1
43	Connection Wire	L500	2
44	Pin		1
45	Bolt	M8*1 $\frac{1}{8}$	4
46	Bolt	M10*2 $\frac{3}{4}$	2
47	Bolt	M10*2 $\frac{1}{8}$	1

48	Bolt	M12*4 <sup>7</sup> / <sub>8</sub>	2
49	Bolt	M6*15	18
50	Flat head Crosshead Screw	M6* <sup>3</sup> / <sub>8</sub>	6
51	Bolt	M8*4 <sup>7</sup> / <sub>8</sub>	2
52	Bolt	M8*5 <sup>1</sup> / <sub>8</sub>	1
53	Flat head Bolt	M8* <sup>5</sup> / <sub>8</sub>	4
54	Bolt	M8*2 <sup>1</sup> / <sub>2</sub>	2
55	Crosshead Screw	M5*1 <sup>1</sup> / <sub>8</sub>	1
56	Bolt	M8*1 <sup>3</sup> / <sub>4</sub>	2
57	Crosshead Screw	M5* <sup>1</sup> / <sub>2</sub>	4
58	Outer hex Bolt	M8* <sup>5</sup> / <sub>8</sub>	4
59	Adjusting Screw	M6*1 <sup>5</sup> / <sub>8</sub>	2
60	Bolt	M8* <sup>5</sup> / <sub>8</sub>	16
61	Crosshead Screw	M4* <sup>5</sup> / <sub>8</sub>	17
62	Crosshead Screw	M3* <sup>7</sup> / <sub>8</sub>	12
63	Washer	OD7*ID3.2*1.0	24
64	Washer	OD25*ID10.5*2.0	4
65	Washer	OD20*ID8.5*1.5	26
66	Adjusting Bolt Fixing Plate		2
67	Crosshead Screw	ST4.2*12	2
68	Hexagonal nut	M12	2
69	Nylon lock nut	M10	3
70	Nylon lock nut	M8	11
71	Nylon lock nut	M6	2
72	Nylon lock nut	M3	12
73	Funnel		1
74	Pumping Siphon		1
75	Allen Wrench	S5	1
76	Allen wrench	S13-S17	1

## CARE AND MAINTENANCE

1. Inspect and tighten all parts each time you use the machine. Replace any worn parts immediately.
2. This machine can be cleaned using a damp cloth and mild non-abrasive detergent. Do not use solvents.
3. Store the rower IN-DOOR. Excess moisture and water would cause rust on the frame.
4. The rower shall be placed at least 24 inches away from the wall or/and any other object such as furniture to provide safe access to and passage around the machine.
5. To avoid possible injury, the help of two or more people are needed when moving the machine around.
6. Disposal Instructions – The equipment can be safely disassembled and disposed without unreasonable hazards. Call your local recycle agency regarding details of recycling.
7. **The maximum user weight is 300 lbs.**
8. **Assembled Dimension (L x W x H): 78.75"x22.05"x42.13"**

## OPERATING NOTES

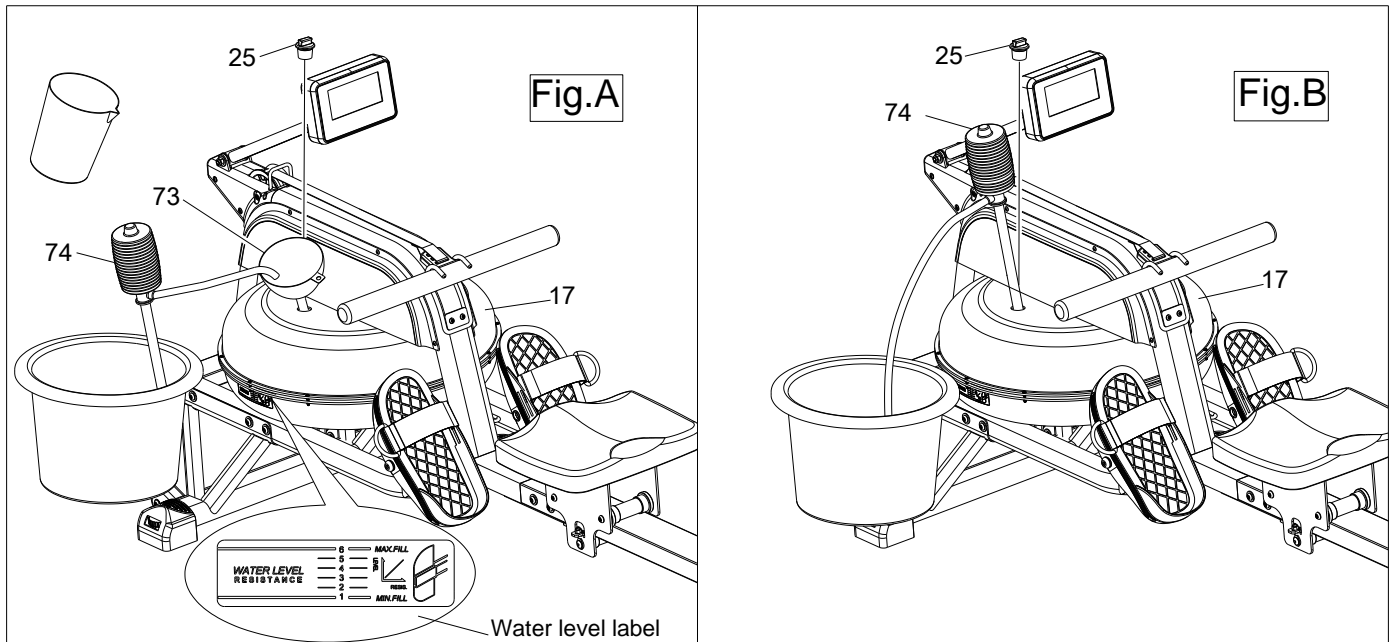
1. Remove the **Fill Plug (No.25)** from the **Upper Tank Cover (No.17)**.
2. To fill tank with water, refer to Fig. A. Insert the **Funnel (No.73)** into the tank, then use a cup or the **Siphon Pump (No.74)** and a bucket to fill the tank. Use the water level gauge on the side of the tank to measure desired water level in the tank.
3. To empty the tank, refer to Fig. B. Place a bucket next to the rower, and use the **Siphon Pump (No.74)** to pump out the water from the tank into the bucket.
4. Insert the **Fill Plug (No.25)** into the **Upper Tank Cover (No.17)**. Wipe excess water off of the frame.

### NOTE:

- Fill the tank only with tap water. Add 1 water-purification tablet (1 packet is included.). Never use pool chlorine or chlorine bleach. This will damage the tank and void the warranty.
- Add a water purification tablet every 6 months or as needed. If water remains cloudy, replace the water in the tank.
- Water from the tank is not suitable for consumption. Dispose the water after pumping it out from the tank.

### A.WATER LEVEL

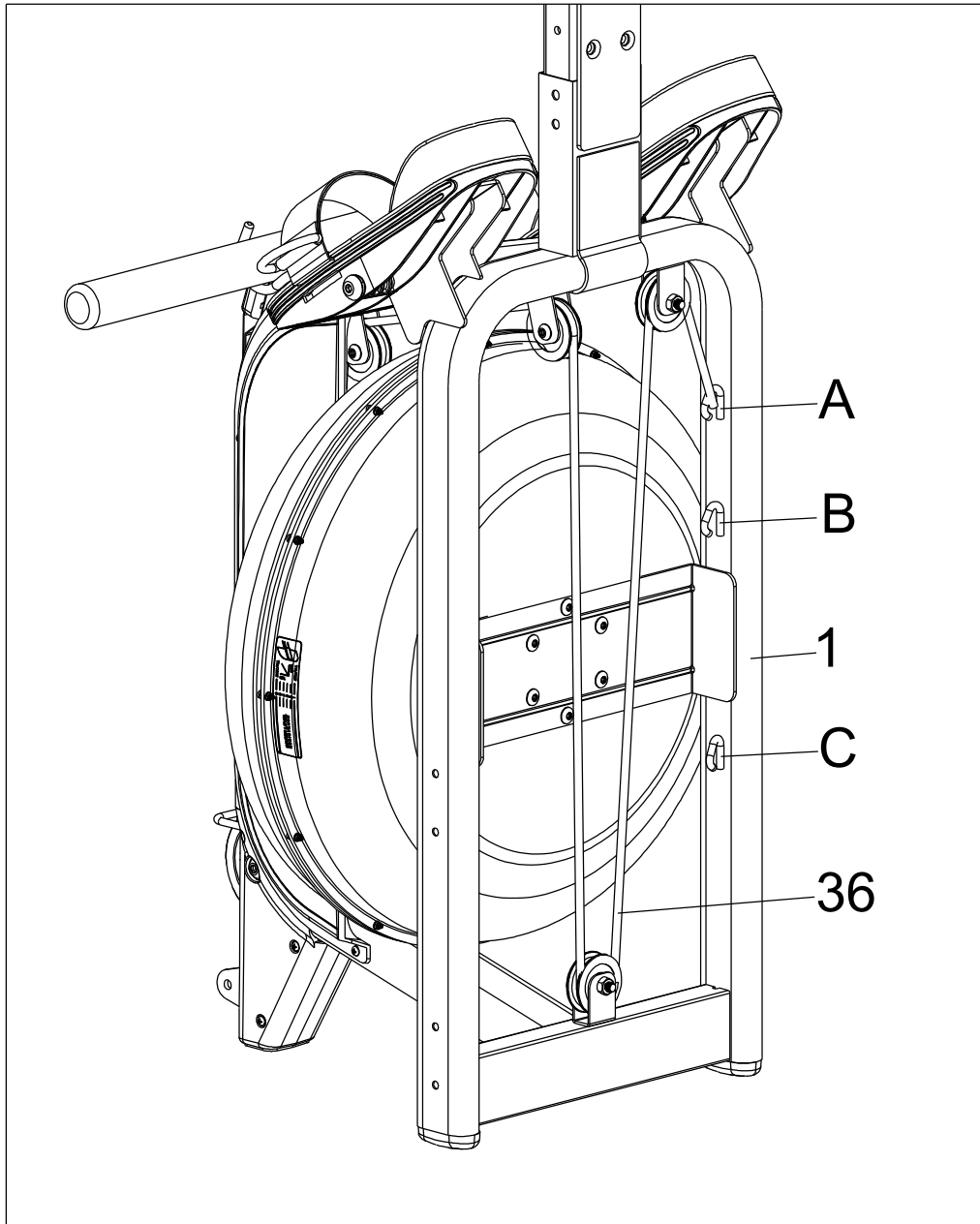
- See Fig. A. The water level gauge is on the side of the tank. The maximum fill level is 6. Never fill it over this limit. Filling the tank over this limit will void the warranty.
- The resistance depends on the water level in the tank. Water level 1 is the lowest resistance. Level 6 is the highest resistance.



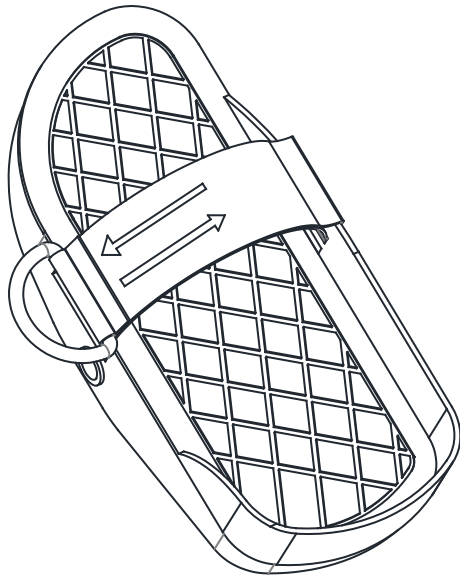
## ADJUSTMENT GUIDE

There are 3 hooks (A, B, C) for the bungee cord (**No.36**), located on the inside of the frame under the water tank. If you hook the bungee cord on to B or C, it increases the assisted return of the mesh belt. C is the fastest return.

Use caution when adjusting the bungee cord.





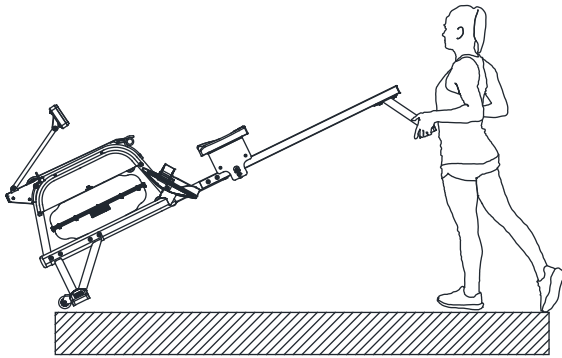


### Adjusting the Pedal

The pedal strap is adjustable and can be personalized to fit the user's foot size.

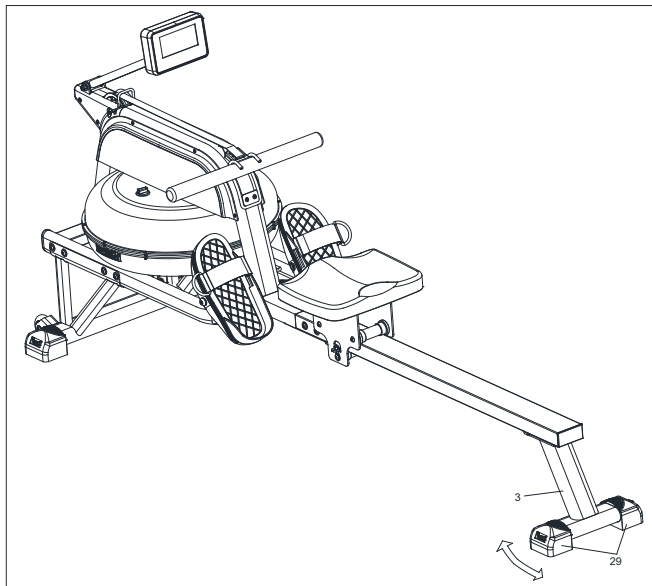
Release Velcro strap by pulling it upward by the D-Ring, adjust the size to fit.

Tighten the pedal strap around your foot, by pulling down to secure it.



### MOVING THE MACHINE

To move the machine, lift up the rear stabilizer until the transportation wheels on the front stand touch the ground. With the wheels on the ground, you can transport the rower to the desired location with ease.



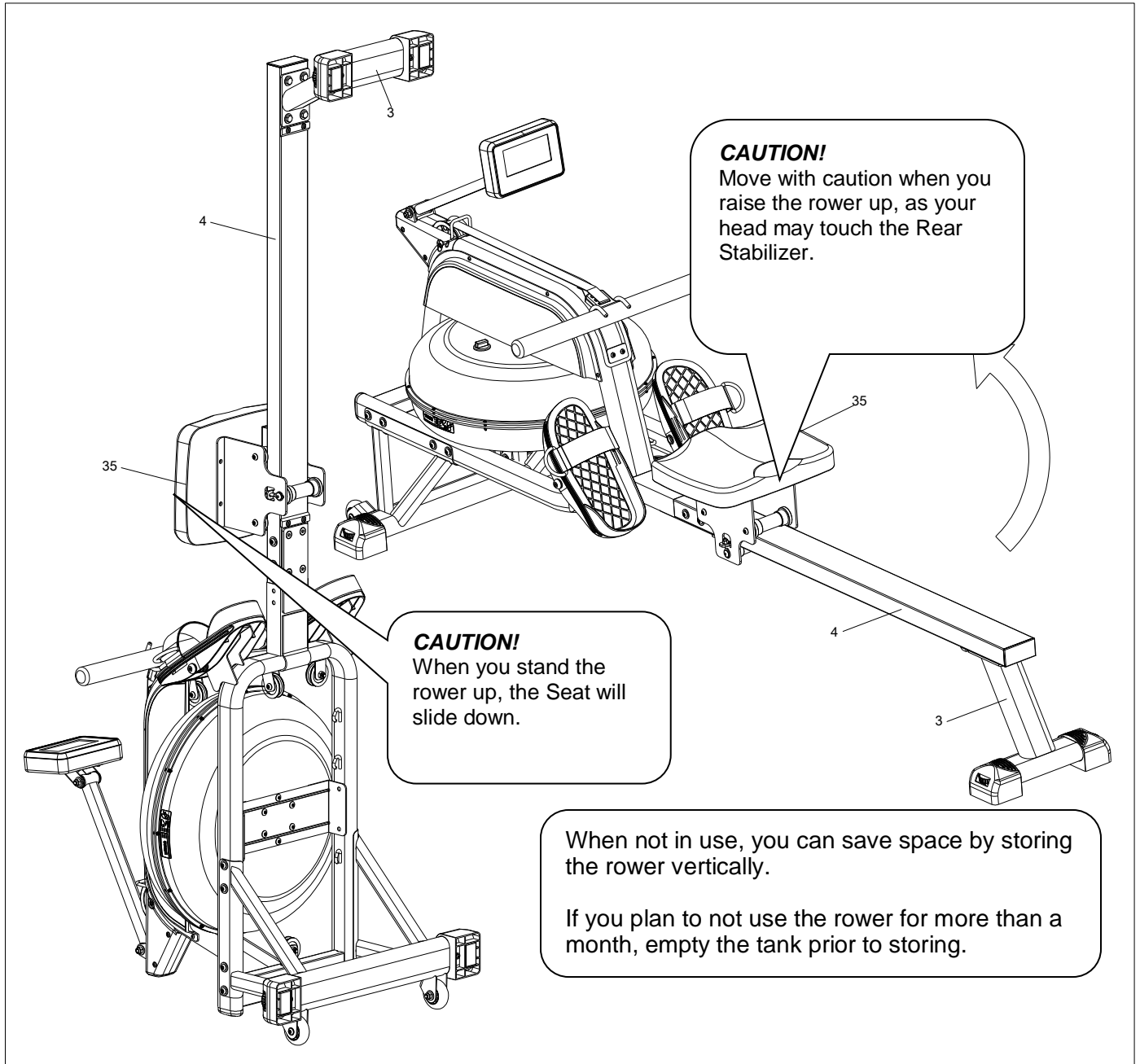
### To Stabilize the Rower

Adjust the Rear Stabilizer of the machine if the machine is unbalanced during use.

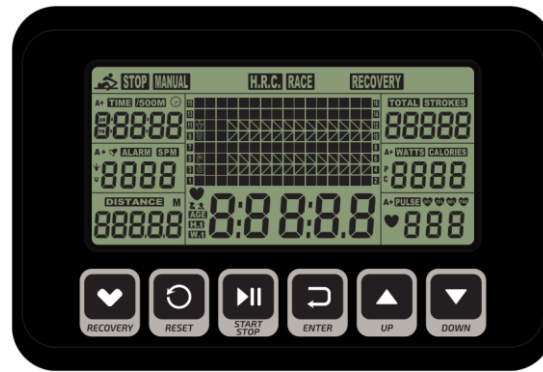
# STORAGE GUIDE

## Caution!

Moving parts, such as the seat, can cause injury. Keep hands clear of the sliding rail during use!



## COMPUTER



Our computerized display console on the Water Rower allows the user to tailor a personalized workout by monitoring their progress. During a workout, the display console will alternately and repeatedly display the Time, Time/500M, SPM, Distance, Strokes, Total Strokes, Calories Burned and Pulse.

### BUTTONS

UP ▲ / DOWN ▼ : Press either buttons to cycle through available selections, and to adjust the function value upward or downward.

ENTER: To confirm your selection.

During training, press the button to scan through each display function.

START / STOP: To start and stop your selected workout program.

RESET: Press to go back to the main menu.

Long press (3-5 seconds) will reset all values back to zero.

RECOVERY: To activate the RECOVERY PROGRAM that will automatically evaluate your fitness immediately after your work out.

### DISPLAY FUNCTIONS

TIME: Set target time by pressing UP or DOWN buttons (1min ~ 99 min), in 1-min. increments.

TIME/500M: Your average 500-meter time will automatically be displayed and continuously updated.

SPM: Strokes per minute.

DISTANCE: Set target value by pressing UP or DOWN buttons (0 ~ 99900 meters) in 100-meter increments.

STROKES: Preset target value by pressing UP or DOWN buttons (0~9990 strokes) in 10-stroke increments.

TOTAL STROKES: Accumulates total strokes from 0 up to 9999.

CALORIES: Set target CALORIES by pressing UP or DOWN buttons (10Cal ~9990Cal) in 10-Cal. increments.

PULSE: In Manual Mode, set target value by pressing up or down button to set from 30 to 240, in 1 BPM increments. The computer will display user's heart rate during training. When target value is reached, computer will beep until you change to another mode or take off Chest belt. Also, the Pulse ICON will blink. The pulse function will only work if it is connected to a chest strap system (not included).

CALENDAR: The computer will display year, month, and day when computer is in sleep mode.

TEMPERATURE: The computer will display the current room temperature when the computer is in sleep mode.

CLOCK: The computer will display current time when the computer is in sleep mode.

## OPERATION

1. Install 2 AA batteries (not included) and computer will beep for 2 seconds (Fig.1). The computer will enter into the CLOCK & CALENDAR MODE (Fig.2).
2. The CLOCK will flash. Press UP/DOWN to set the hour. Press ENTER to confirm. Press UP/DOWN to set the minutes. Press ENTER to confirm. Continue to set up YEAR (displays in the STROKES window); MONTH (displays in the CALORIES window); DAY (displays in the PULSE window) by pressing UP or DOWN. Each time, press ENTER to confirm.

After setting the CLOCK, the ALARM icon will blink for you to set up an alarm. To skip setting up an alarm, press ENTER.

To set up an alarm, press UP KEY to turn on ALARM. An arrow will appear next to ALARM.

Press ENTER. CLOCK window will flash. Press UP or DOWN to set the alarm time. Press ENTER to confirm. Computer will go into the SPORT screen (Fig.3).

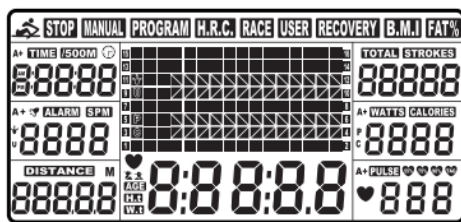


Fig. 1

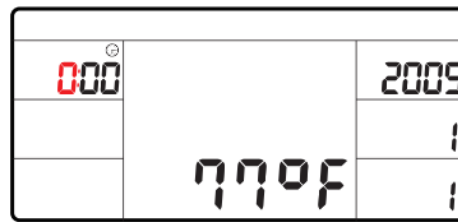


Fig. 2

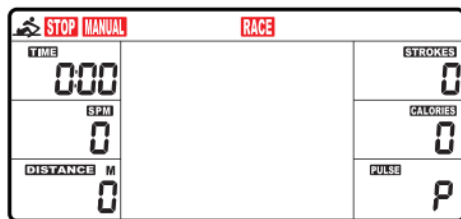


Fig. 3

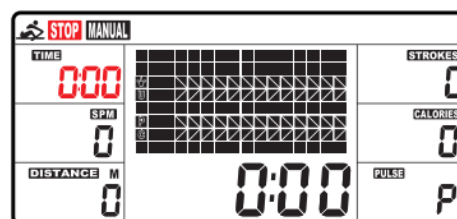


Fig. 4

3. When you enter into the SPORT screen, MANUAL and RACE will blink. Press UP or DOWN to select MANUAL or RACE. Press ENTER to confirm your selection.

### (1) MANUAL (Fig.4): There are 2 options in MANUAL mode.

A. The computer can be set to countdown.

- i. When you select MANUAL, the value of TIME will start to flash. Press UP/DOWN to set the value of TIME to countdown. Press ENTER to confirm it. If you do not want to set the value of time to COUNTDOWN, press ENTER to go to the next function.
- ii. You can set the values for DISTANCE, STROKES, CALORIES, or PULSE. (You can only set the value for one function to countdown. For example, if you have set the target value for TIME, then DISTANCE can't be set.)
- iii. Press START button to start. The STOP icon will disappear.
- iv. When the function you have selected counts down to zero or you press STOP button, the computer will stop and display the average value.

B. The computer counts the value of your workout. Press START to start.

**(2) RACE (Fig.5) :**

A. Select RACE mode and L9 will flash. The TIME/500M will display 4:00. Then, press UP or DOWN to select L1 ~ L15. Press ENTER to confirm. Then, you can set the distance of the race (500M~10000M) while the value of DISTANCE is blinking.

B. Press ENTER and the picture of the race will display on the screen.

The TIME/500M of the programs are as follows :

L1	L2	L3	L4	L5	L6	L7	L8	L9	L10	L11	L12	L13	L14	L15
8:00	7:30	7:00	6:30	6:00	5:30	5:00	4:30	4:00	3:30	3:00	2:30	2:00	1:30	1:00

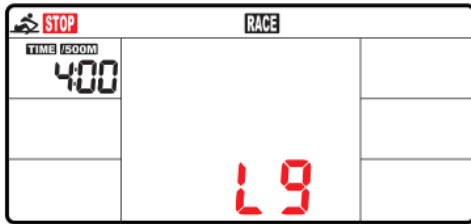


Fig. 5

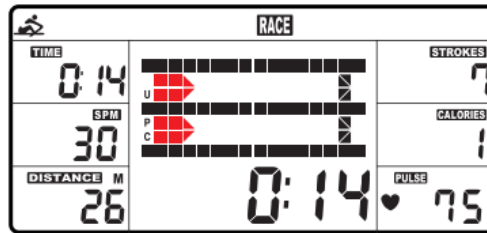


Fig. 6

C. Press START button to start and STOP will disappear. USER and PC will be displayed in the center window (Fig.6). The computer will stop when either the user or the computer has reached the race distance that was set. Then the matrix displays "PC WIN" or "USER WIN" (Fig.7).



Fig. 7

D. When the race is over, you can press START to start a race once again. Press RESET to leave the RACE screen.

**(3) RECOVERY :**

1. This computer works with a 5.3 KHz chest strap heart rate monitor (not included). After exercising for a period of time, continue wearing chest strap monitor and press "RECOVERY" button. All function displays will stop except "TIME", it will start to counting down from 00:60 to 00:00.
2. Screen will display your heart rate recovery status with the F1, F2....to F6.
3. F1 is outstanding. F6 is poor. User may keep exercising to improve the heart rate recovery status. (Press the RECOVERY button again to return the main display.)

**ALARM**

Alarm only works while the computer is in sleep mode. Alarm will not sound during exercise.

Press and hold RESET to go to clock screen to set up ALARM.

## SLEEP MODE

The computer will go into sleep mode after about 4 minutes of inactivity.

## BATTERY

This meter uses 2 AA batteries, which are not included. Changing the batteries will reset all values.

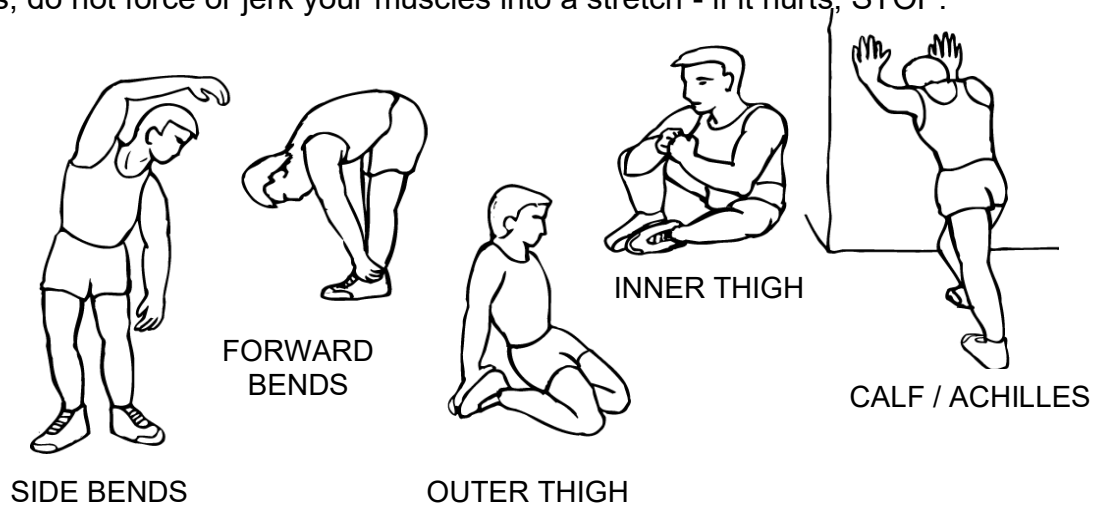
If there is a problem with the display, try changing the batteries first. When changing the batteries, change both of them. Do not mix battery types. Do not mix old and new batteries. Dispose of old batteries according to your regional guidelines.

## EXERCISE GUIDELINES

Using your **ROWER** will provide you with several benefits, it will improve your physical fitness, tone muscle and in conjunction with calorie-controlled diet help you lose weight.

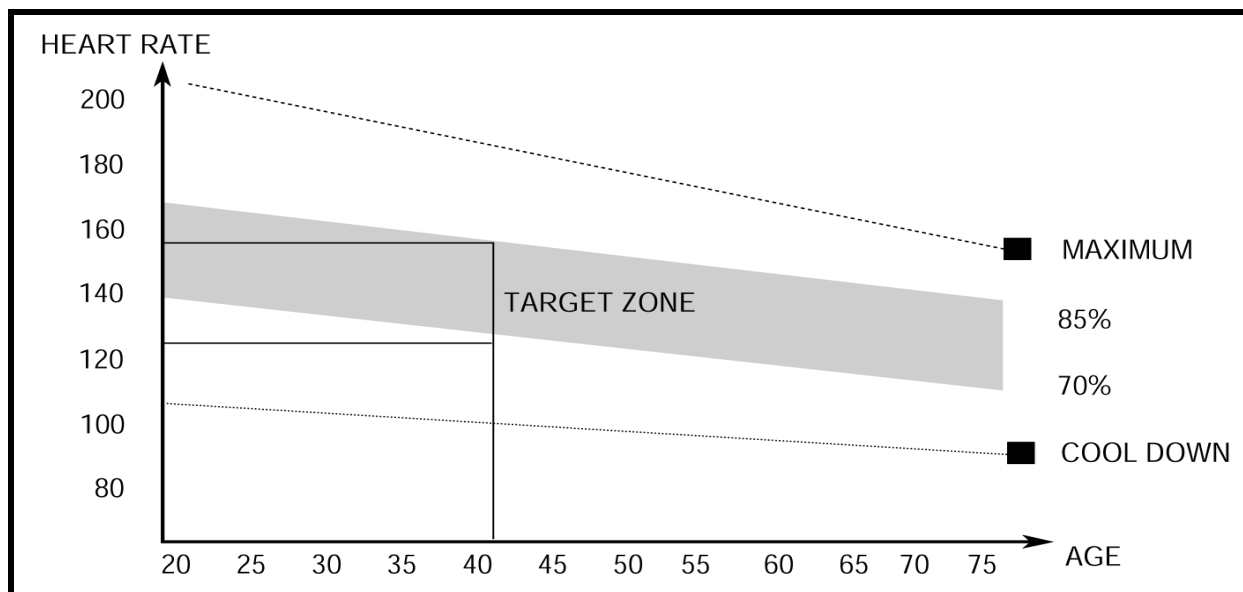
### 1. The Warmup Phase

This stage helps get the blood flowing around the body and the muscles working properly. It will also reduce the risk of cramp and muscle injury. It is advisable to do a few stretching exercises as shown below. Each stretch should be held for approximately 30 seconds, do not force or jerk your muscles into a stretch - if it hurts, STOP.



### 2. The Exercise Phase

This is the stage where you put the effort in. After regular use, the muscles in your legs will become more flexible. Work to your targeted heart rate but it is very important to maintain a steady tempo throughout. The rate of work should be sufficient to raise your heartbeat into the target zone shown on the graph below.



**This stage should last for a minimum of 12 minutes though most people start at about 15-20 minutes**

### 3. The Cool Down Phase

This stage is to let your Cardio-vascular System and muscles wind down. This is a repeat of the warmup exercise e.g. reduce your tempo, continue for approximately 5 minutes. The stretching exercises should now be repeated, again remembering not to force or jerk your muscles into the stretch.

As you get fitter you may need to train longer and harder. It is advisable to train at least three times a week, and if possible, space your workouts evenly throughout the week.

## MUSCLE TONING

To tone muscle while on your **ROWER** you will need to have the resistance set quite high. This will put more strain on our leg muscles and may mean you cannot train for as long as you would like. If you are also trying to improve your fitness you need to alter your training program. You should train as normal during the warm up and cool down phases, but towards the end of the exercise phase you should increase resistance making your legs work harder. You will have to reduce your speed to keep your heart rate in the target zone.

## WEIGHT LOSS

**The important factor here is the amount of effort you put in. The harder and longer you work the more calories you will burn. Effectively this is the same as if you were training to improve your fitness, the difference is the goal.**



# IMPEX<sup>®</sup> INC.

## LIMITED WARRANTY

IMPEX Inc. ("IMPEX<sup>®</sup>") warrants this product to be free from defects in workmanship and material, under normal use and service conditions, for a period of two years on the Frame from the date of purchase. This warranty extends only to the original purchaser. IMPEX's obligation under this Warranty is limited to replacing or repairing, at IMPEX's option.

All returns must be pre-authorized by IMPEX. Pre-authorization may be obtained by calling IMPEX Customer Service Department at 1-800-999-8899. All freights for products return to IMPEX must be prepaid by the customer. This warranty does not extend to any product or damage to a product caused by or attributable to freight damage, abuse, misuse, improper or abnormal usage or repairs not provided by an IMPEX authorized service center or for products used for commercial or rental purposes. No other warranty beyond that specifically set forth above is authorized by IMPEX.

IMPEX is not responsible or liable for indirect, special or consequential damages arising out of or in connection with the use or performance of the product or other damages with respect to any economic loss, loss of property, loss of revenues or profits, loss of enjoyments or use, costs of removal, installation or other consequential damages or whatsoever natures. Some states do not allow the exclusion or limitation of incidental or consequential damages. Accordingly, the above limitation may not apply to you.

The warranty extended hereunder is in lieu of any and all other warranties and any implied warranties of merchantability or fitness for a particular purpose is limited in its scope and duration to the terms set forth herein. Some states do not allow limitations on how long an implied warranty lasts. Accordingly, the above limitation may not apply to you.

This warranty gives you specific legal right. You may also have other rights which vary from state to state.  
**Register on-line [www.marcypro.com](http://www.marcypro.com)**

**IMPEX<sup>®</sup> INC.  
2801 S. Towne Ave.  
Pomona, CA 91766**

### **ORDERING REPLACEMENT PARTS**

Replacement parts can be ordered by calling our Customer Service Department toll-free at **1-800-999-8899** during our regular business hours: Monday through Friday, 9 am until 5 pm Pacific standard time.

**[support@impex-fitness.com](mailto:support@impex-fitness.com)**

When ordering replacement part, always give the following information.

1. Model
2. Description of Parts
3. Part Number
4. Date of Purchase